

FACADE DECOR

GAUDI  
ARCHITECTURAL SOLUTIONS

# GAUDI

ARCHITECTURAL SOLUTIONS

FACADE  
2022-1



entablements	10	pilasters	184
cornices	12	bossages	210
friezes	60	examples	218
architraves	72	balustrades	220
		entrances	227
balustrades	84	cornices	
balustrades	88, 92	main cornices	256
half balustrades	78, 94	facade mouldings	292
		window frames	
columns	96	windows with pilasters	330
columns	98	windows with half columns	344
half columns	126	windows with keystones	351
		bossages	361
window frames	154	examples	365
platbands	156		
arch frames	162		
keystones	165		
window jambs	170		
window ledges	171		
corbels	180		
pediment	182		



## BRAND

The name Gaudi has been well-known in architecture for a long time and has become iconic. Being inspired by the creative process and paying attention to every detail, we created solutions for decorating interiors and façades.

A passion for design beyond time and an uncompromising attitude regarding quality are deeply embedded in the DNA of the brand. The relevance of our collections is ensured by an international team of designers, and the technical side is provided by the facilities of the brand.

The products of the brand are manufactured at modern production facilities with an area of 20,000 square meters. All products have been certified in accordance with international standards.



## HISTORY

For many years Gaudi has meant high quality and original design. Gaudi is one of the largest manufacturers of polyurethane foam and polystyrene foam architectural decorative elements in the world.

To improve customer service, the company opened a logistics centre in Rotterdam (Holland) in 2015. 2018 marked the rebranding of GAUDI, which allowed better systematization of visual communication of the project. Today Gaudi products are represented in more than 20 European countries.

Brand show rooms are located in Milan, Lyon and Paris. Every year Gaudi takes part in the largest professional exhibitions: “Maison Objet”, “Batimat”, “Farben”, “Heimtextil” and “Salone del Mobile”.





## **entablements**

cornices	12
friezes	60
architraves	72



## cornices

4.01.101 cornice

cornice length 2 meters  
combined with Mutule 4.05.101



dimensions in millimeters

entablements

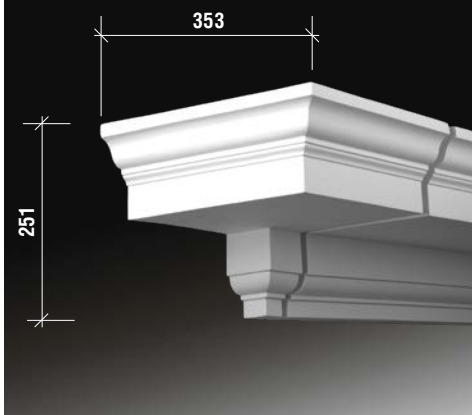
4.01.111 external angle joint element



4.01.121 internal angle joint element

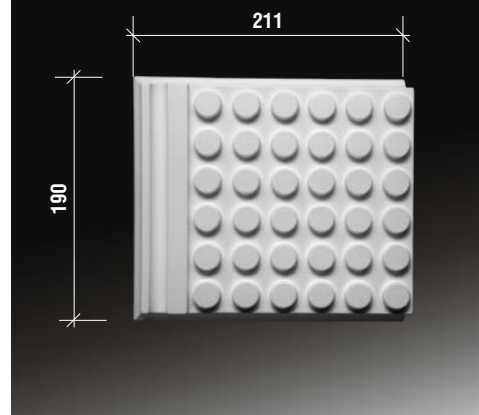


4.01.131 end element



4.05.101 mutule

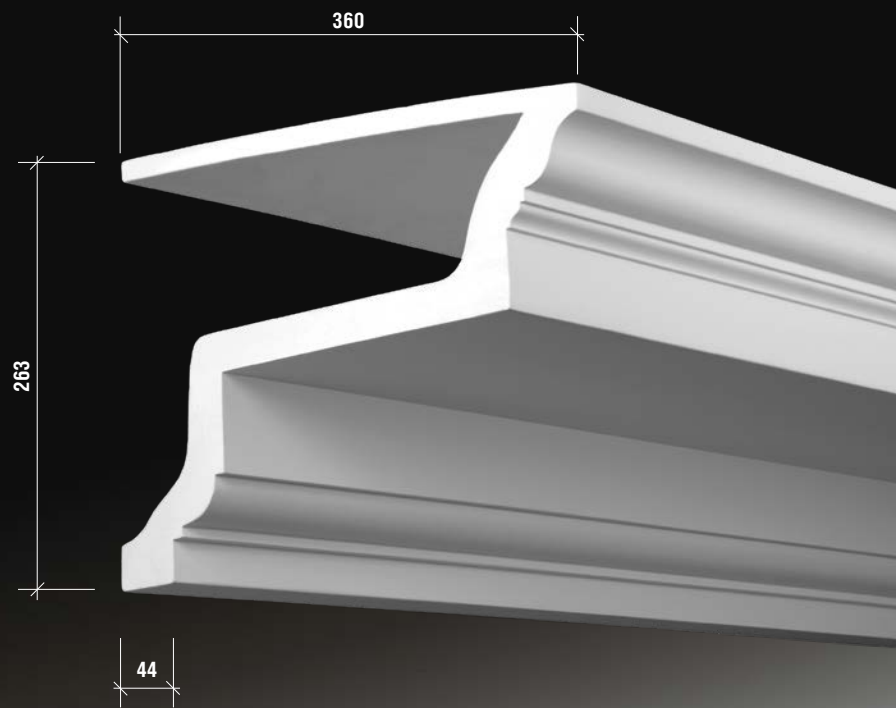
Mutule depth 61 mm



## cornices

4.01.103 cornice

cornice length 2 meters  
combined with Mutule 4.05.101



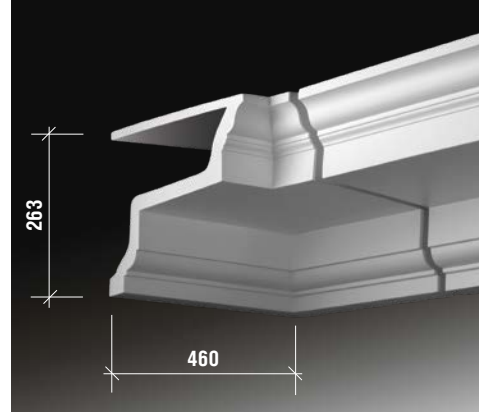
dimensions in millimeters

## entablements

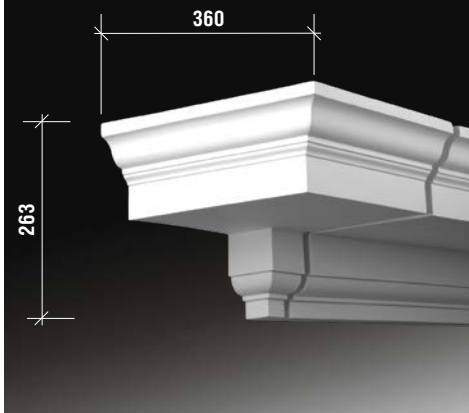
4.01.113 external angle joint element



4.01.123 internal angle joint element

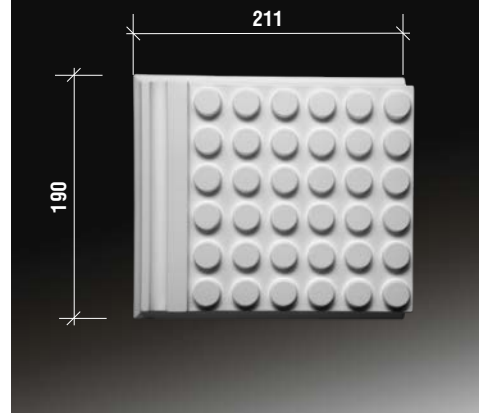


4.01.133 end element



4.05.101 mutule

Mutule depth 61 mm



## cornices

4.01.201 cornice

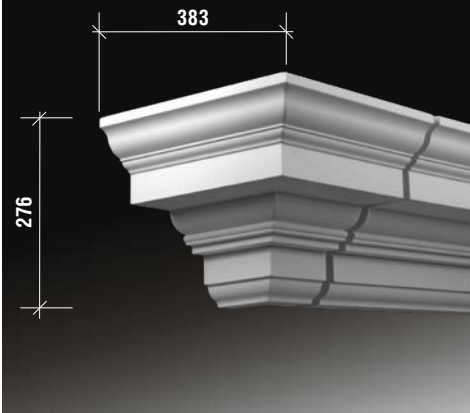
cornice length 2 meters



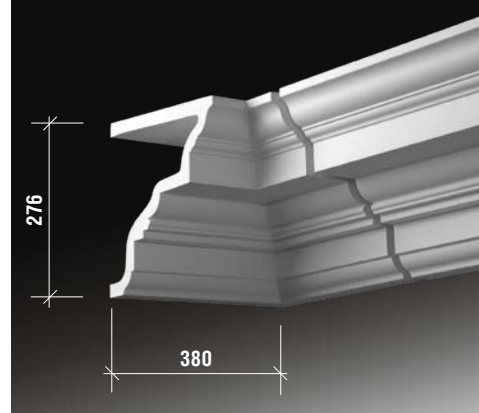
dimensions in millimeters

entablatures

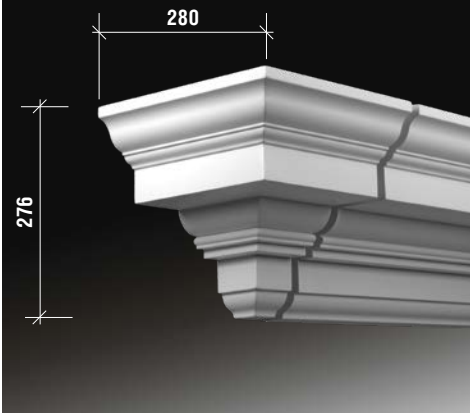
4.01.211 external angle joint element



4.01.221 internal angle joint element



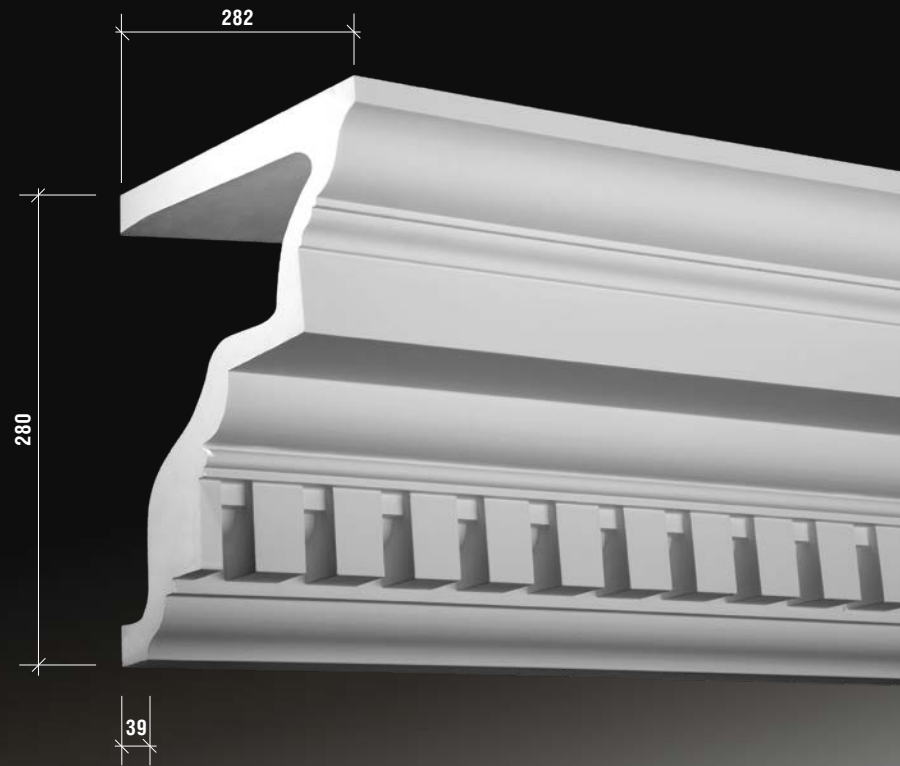
4.01.231 end element



## cornices

4.01.202 cornice

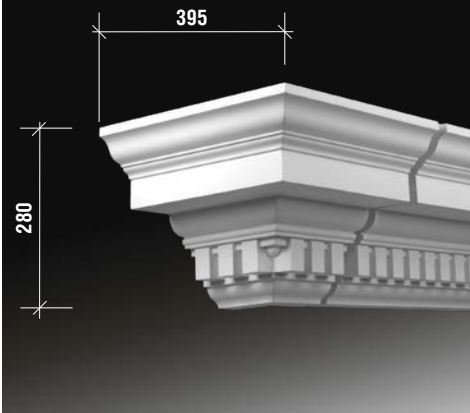
cornice length 2 meters



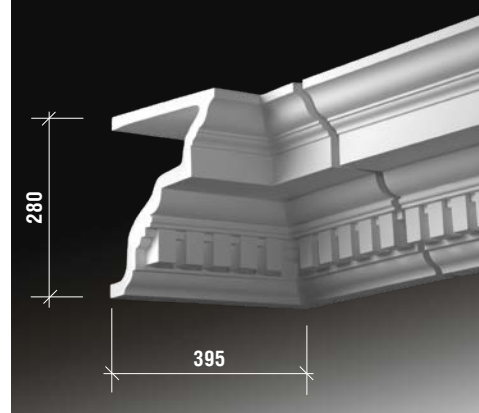
dimensions in millimeters

entablaments

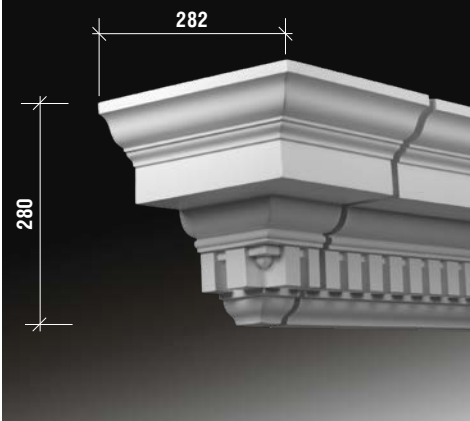
4.01.212 external angle joint element



4.01.222 internal angle joint element



4.01.232 end element





## cornices

4.01.301 cornice

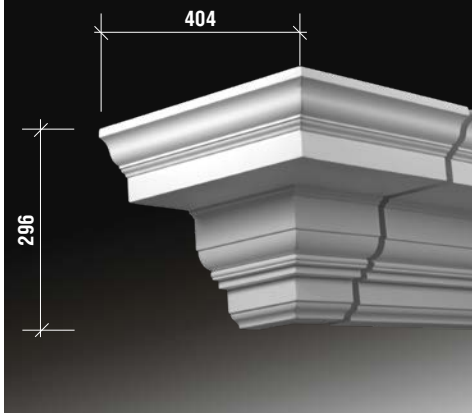
cornice length 2 meters  
combined with Modillion 4.08.301



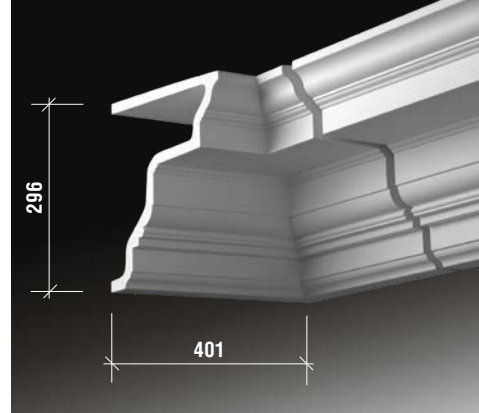
dimensions in millimeters

## entablatures

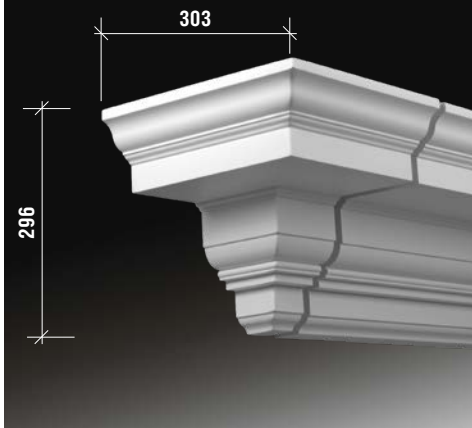
4.01.311 external angle joint element



4.01.321 internal angle joint element

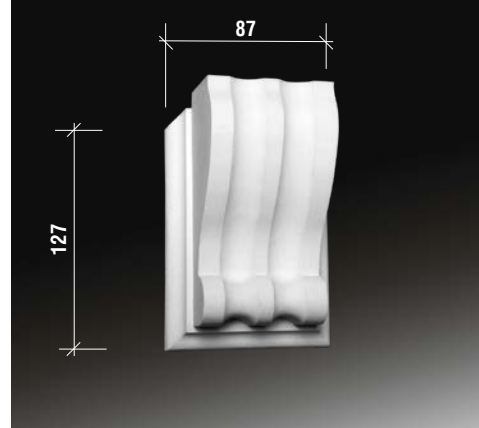


4.01.331 end element



4.08.301 Modillion

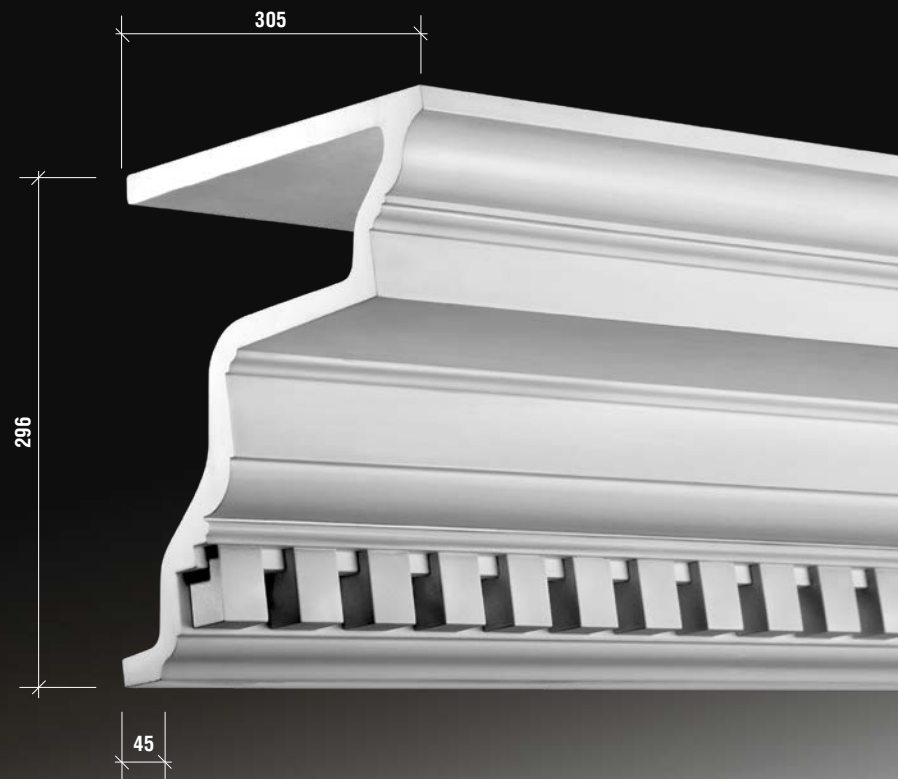
Modillion depth 53 mm



## cornices

4.01.302 cornice

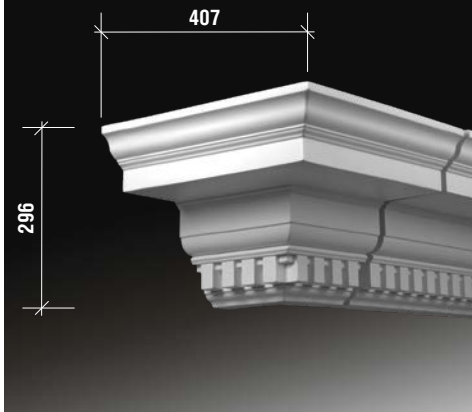
cornice length 2 meters  
combined with Modillion 4.08.301



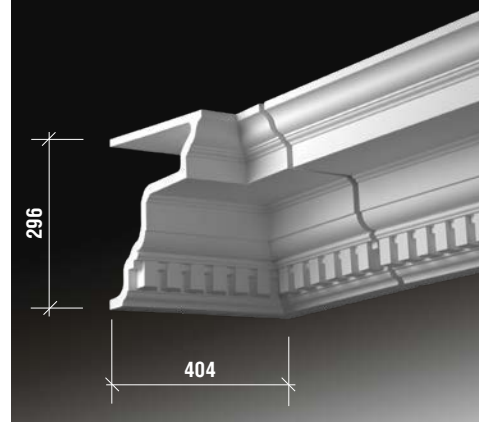
dimensions in millimeters

entablatures

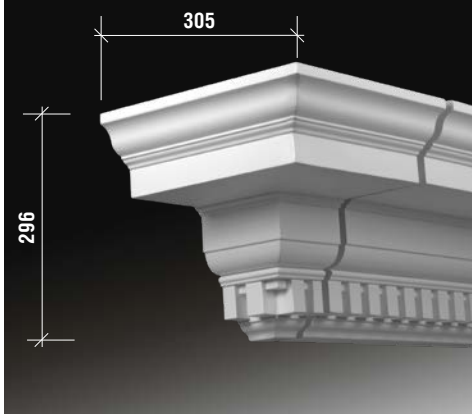
4.01.312 external angle joint element



4.01.322 internal angle joint element

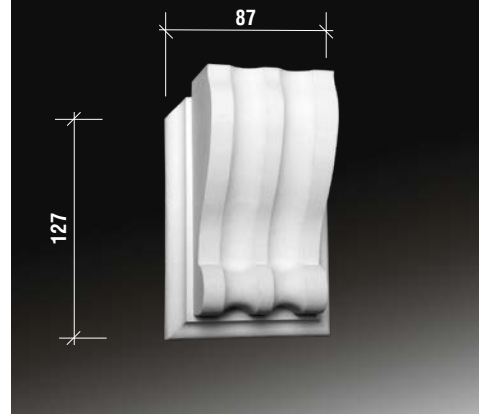


4.01.332 end element



4.08.301 Modillion

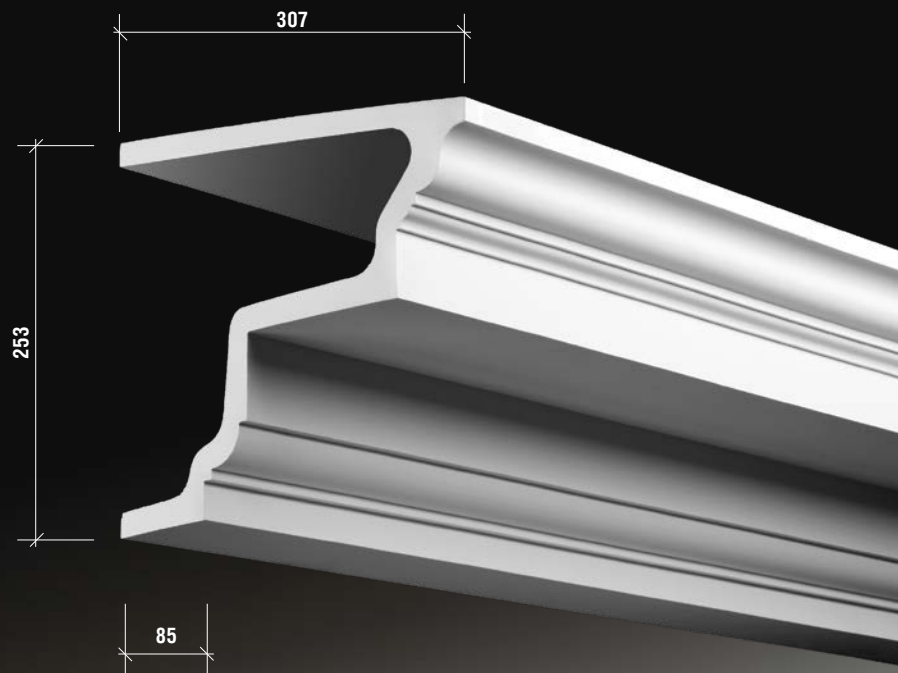
Modillion depth 53 mm



## cornices

4.02.101 cornice

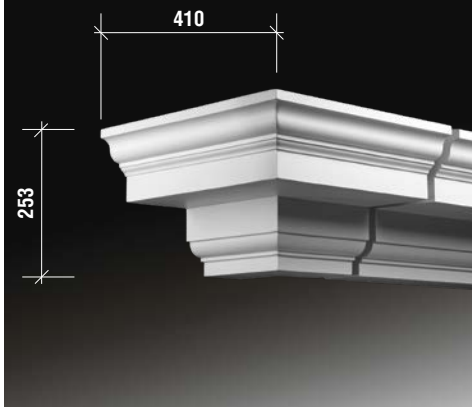
cornice length 2 meters  
combined with Mutule 4.05.102



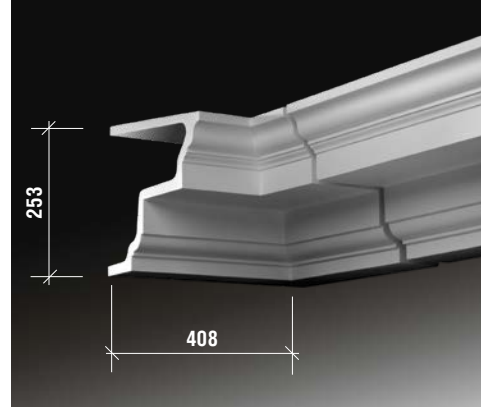
dimensions in millimeters

## entablaments

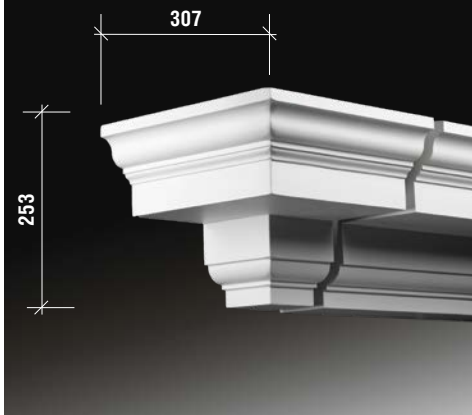
4.02.111 external angle joint element



4.02.121 internal angle joint element

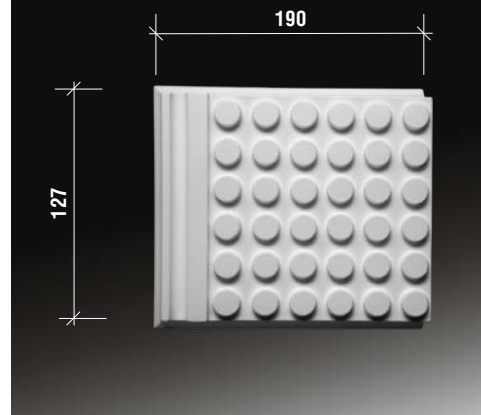


4.02.131 end element



4.05.102 mutule

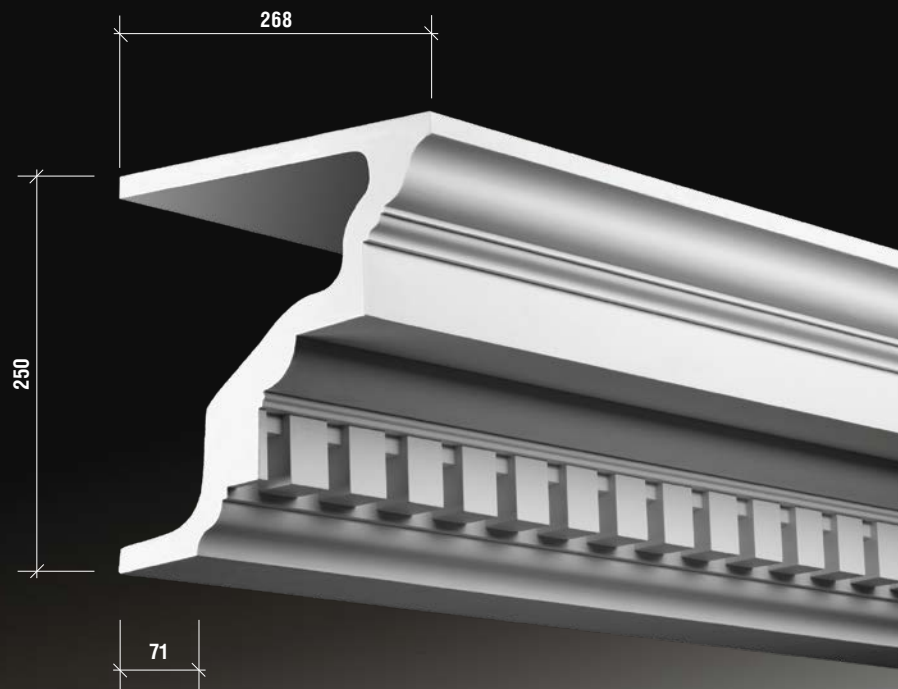
Mutule depth 58 mm



## cornices

4.02.201 cornice

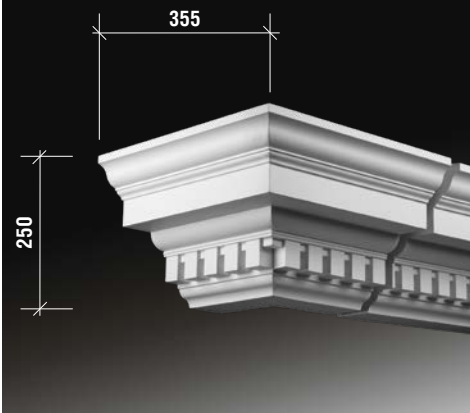
cornice length 2 meters



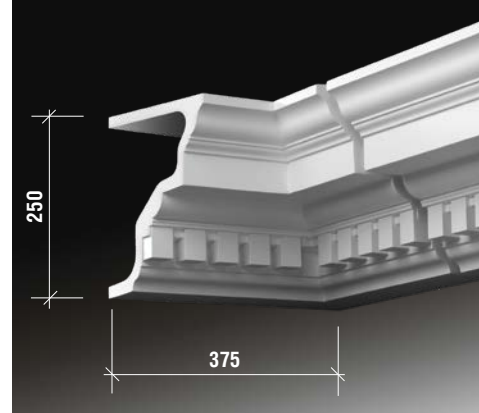
dimensions in millimeters

entablements

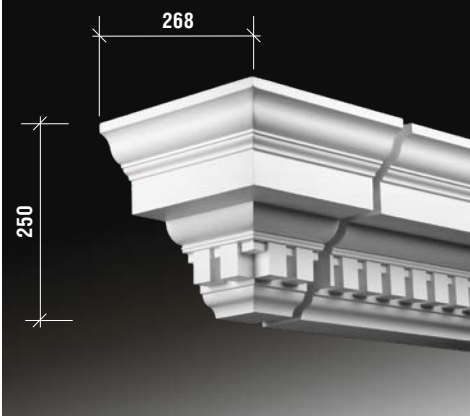
4.02.211 external angle joint element



4.02.221 internal angle joint element



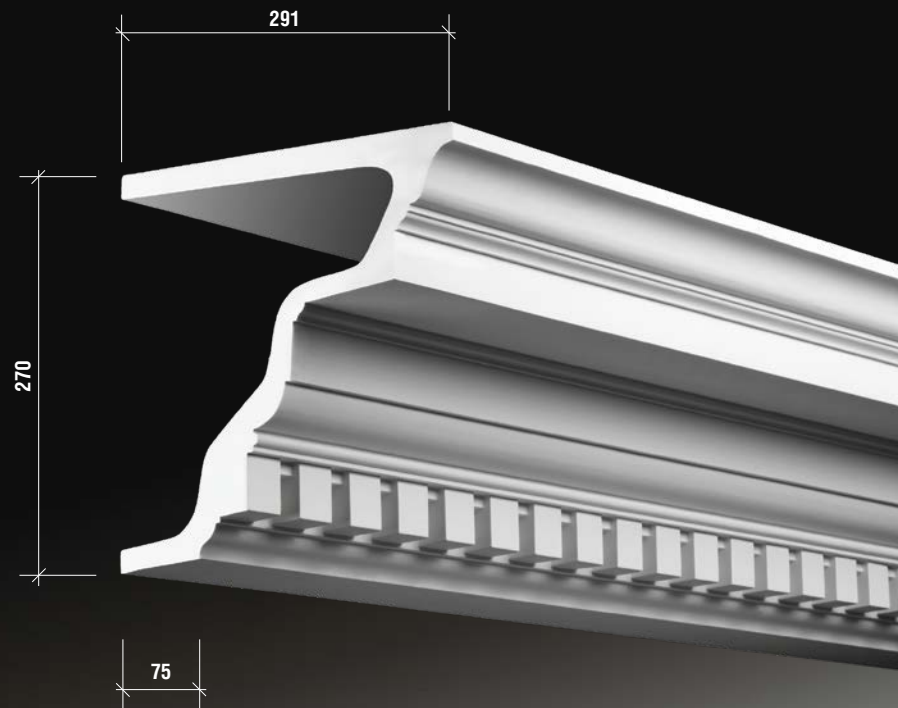
4.02.231 end element



## cornices

4.02.301 cornice

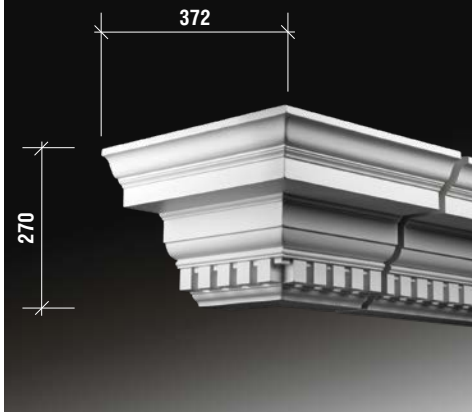
cornice length 2 meters  
combined with Modillion 4.08.302



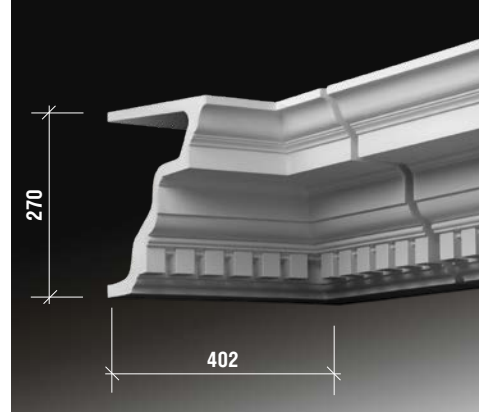
dimensions in millimeters

## entablatures

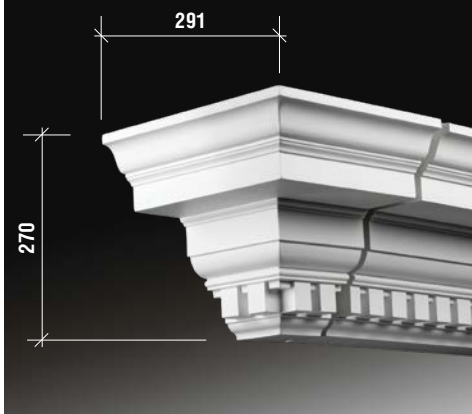
4.02.311 external angle joint element



4.02.321 internal angle joint element

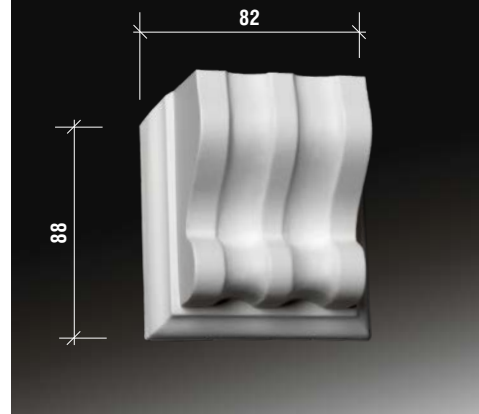


4.02.331 end element



4.08.302 Modillion

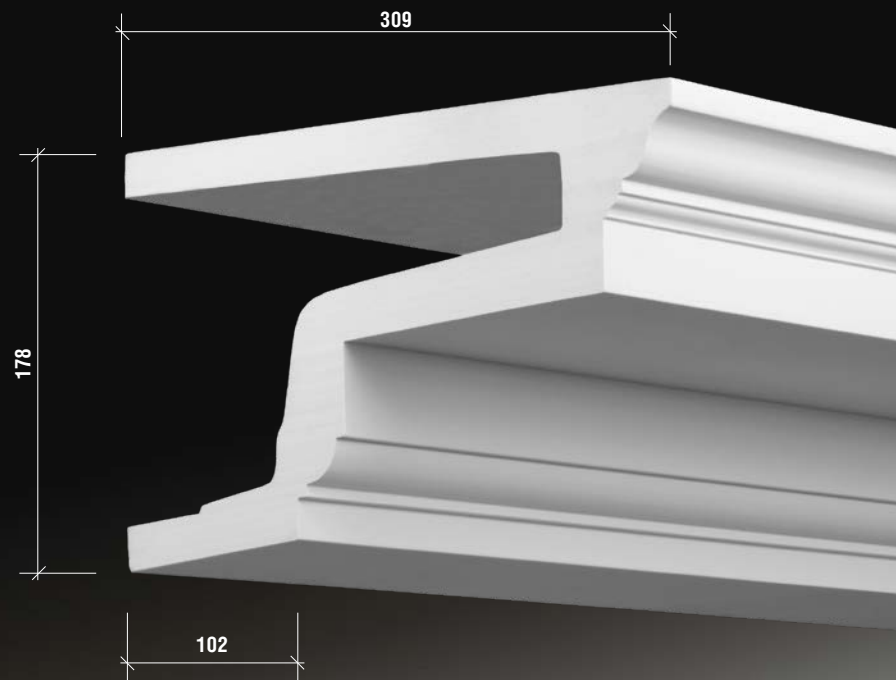
Modillion depth 45 mm



## cornices

4.31.101 cornice

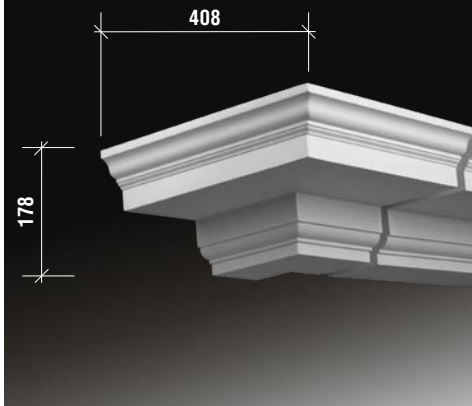
cornice length 2 meters  
combined with Mutule 4.35.101



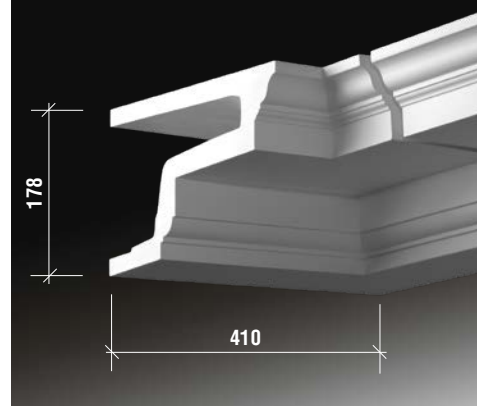
dimensions in millimeters

## entablaments

4.31.111 external angle joint element



4.31.121 internal angle joint element

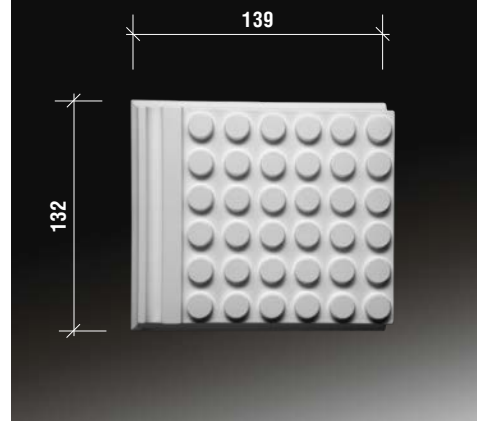


4.31.131 end element



4.35.101 mutule

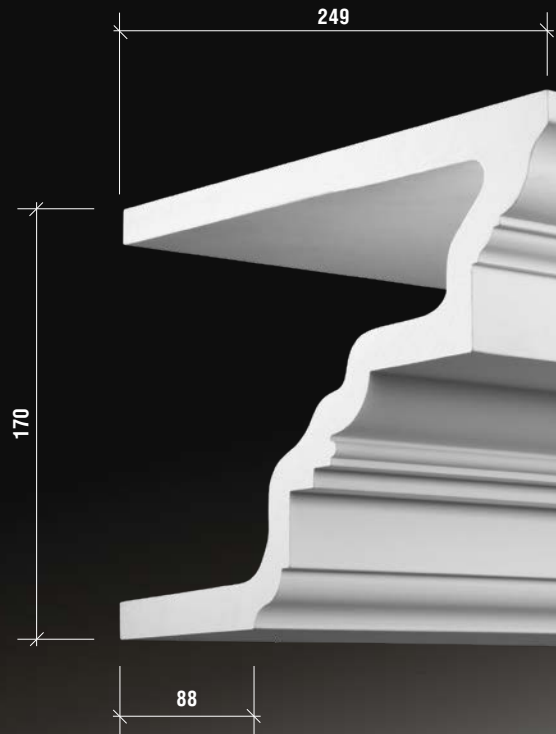
Mutule depth 41 mm



# cornices

4.31.201 cornice

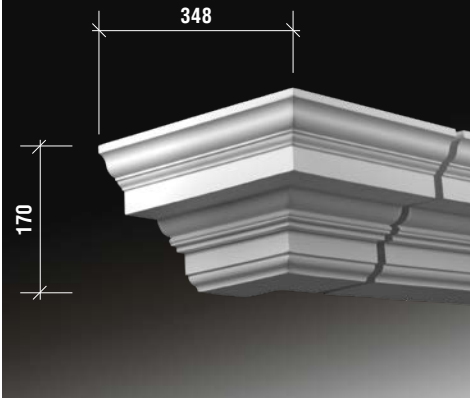
cornice length 2 meters



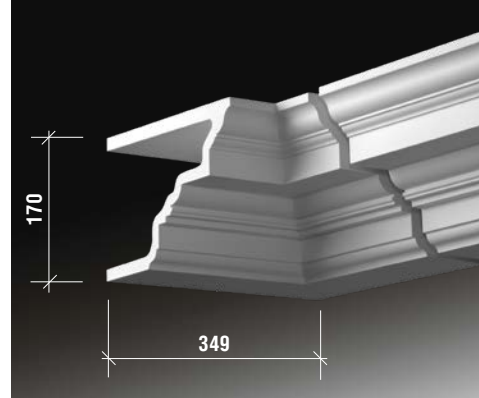
dimensions in millimeters

entablements

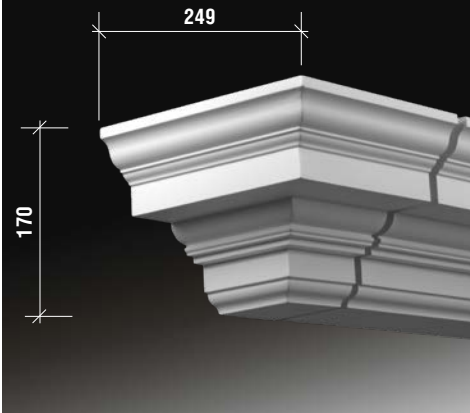
4.31.211 external angle joint element



4.31.221 internal angle joint element



4.31.231 end element

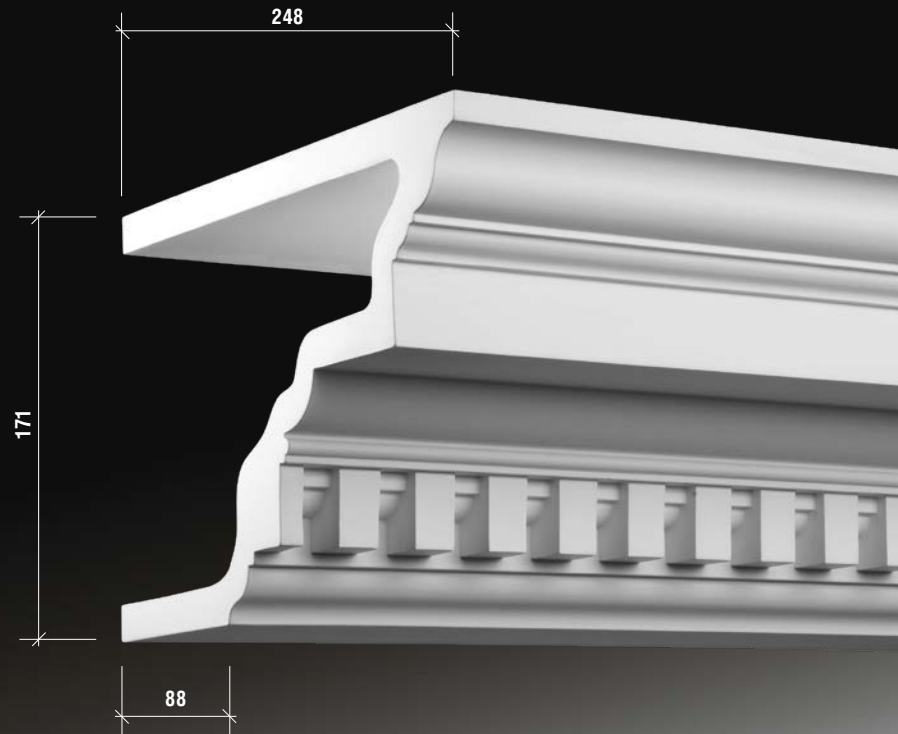




## cornices

4.31.202 cornice

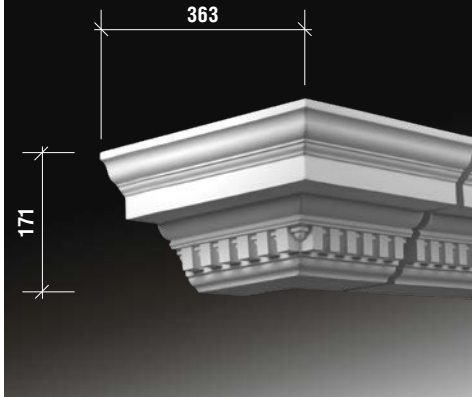
cornice length 2 meters



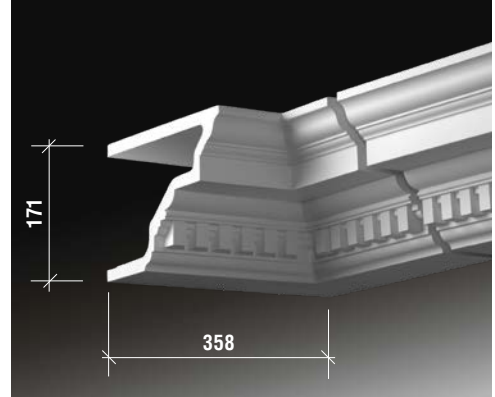
dimensions in millimeters

entablaments

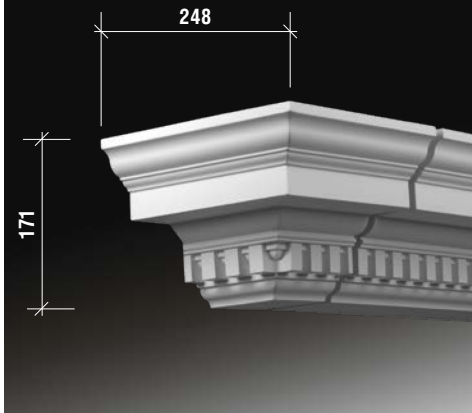
4.31.212 external angle joint element



4.31.222 internal angle joint element



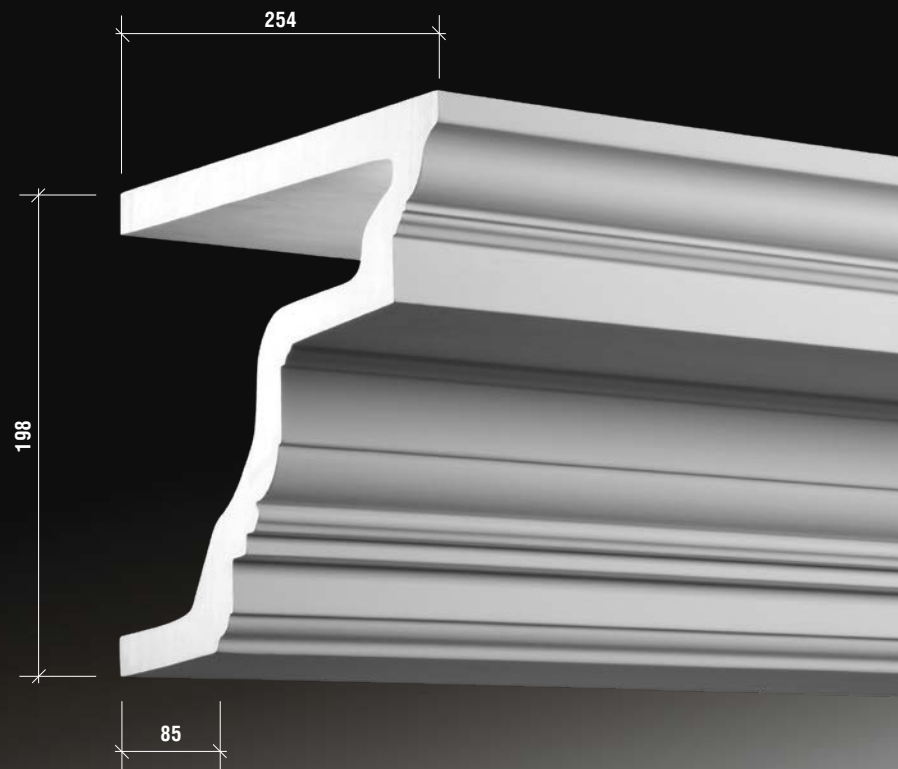
4.31.232 end element



## cornices

4.31.301 cornice

cornice length 2 meters  
combined with Modillion 4.38.301



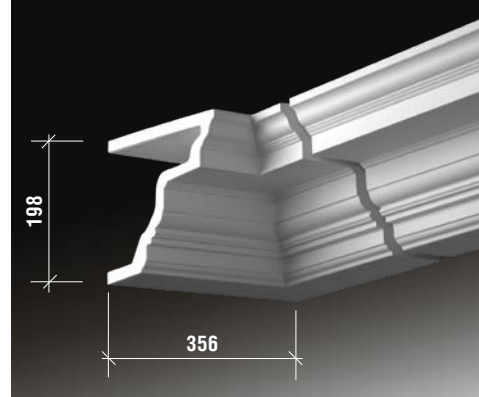
dimensions in millimeters

entablaments

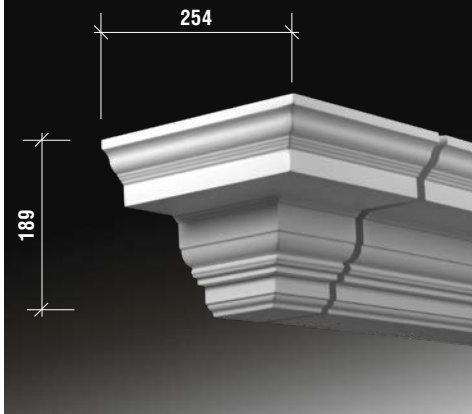
4.31.311 external angle joint element



4.31.321 internal angle joint element

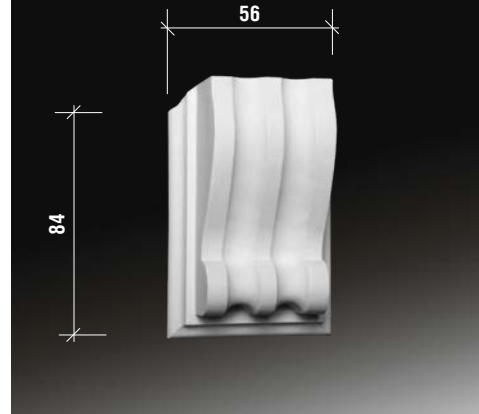


4.31.331 end element



4.38.301 Modillion

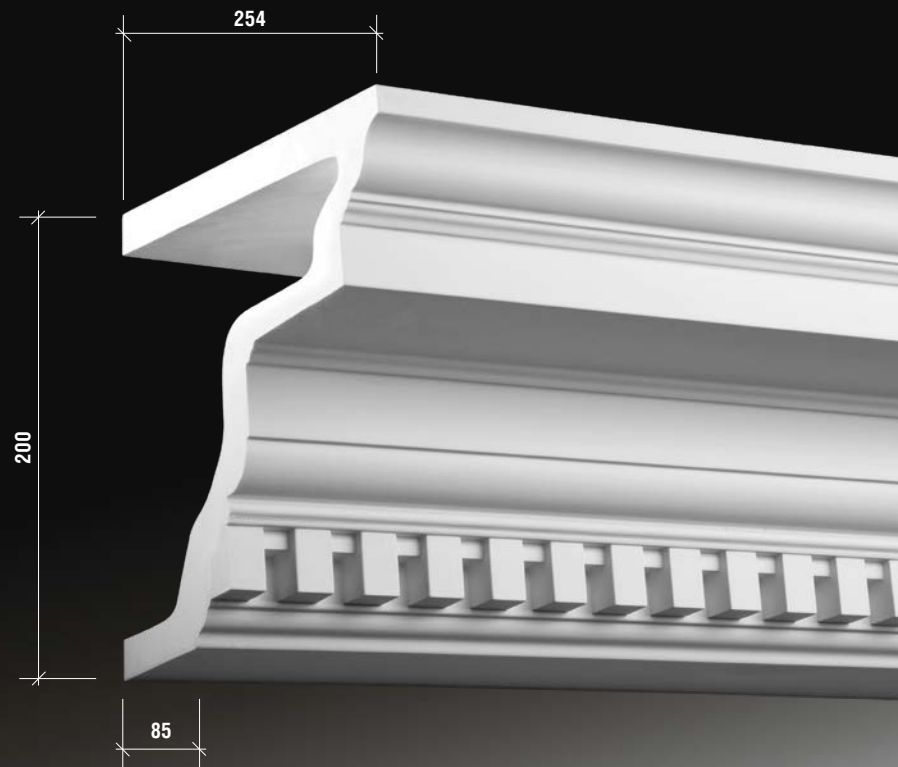
Modillion depth 33 mm



## cornices

4.31.302 cornice

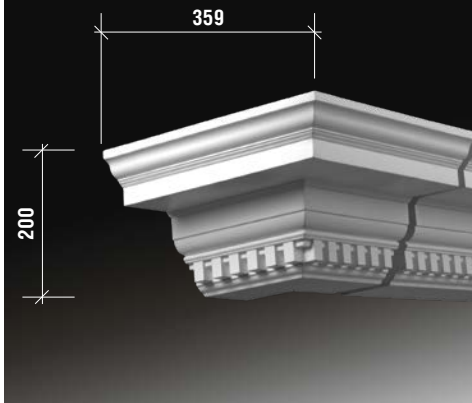
cornice length 2 meters  
combined with Modillion 4.38.301



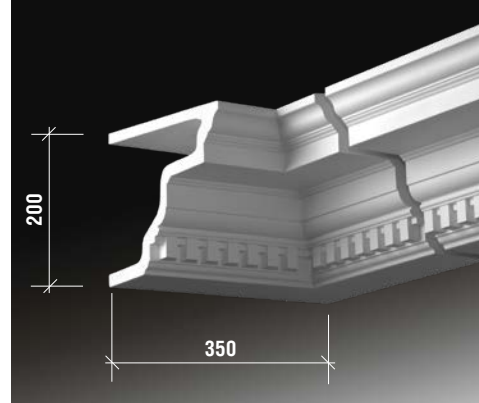
dimensions in millimeters

entablaments

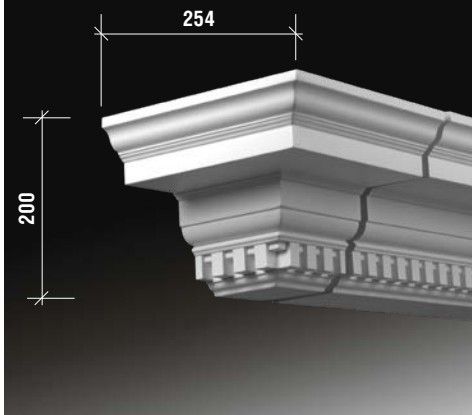
4.31.312 external angle joint element



4.31.322 internal angle joint element

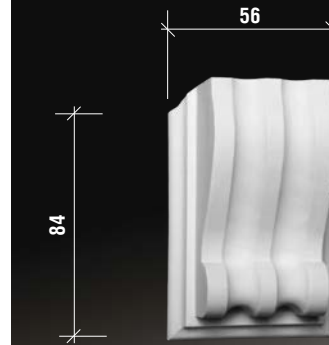


4.31.332 end element



4.38.301 Modillion

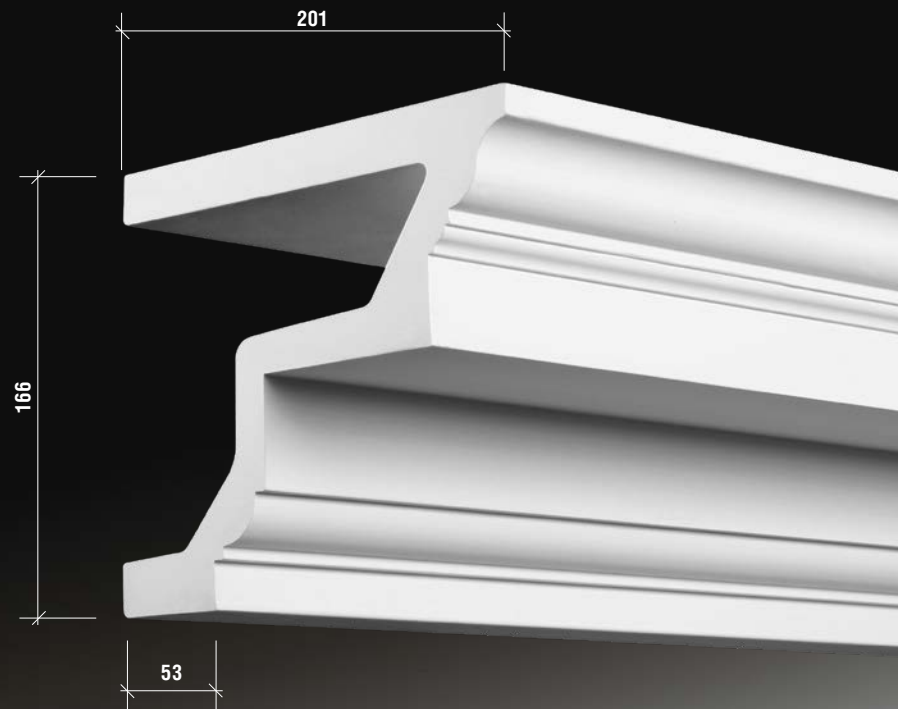
Modillion depth 33 mm



## cornices

4.32.101 cornice

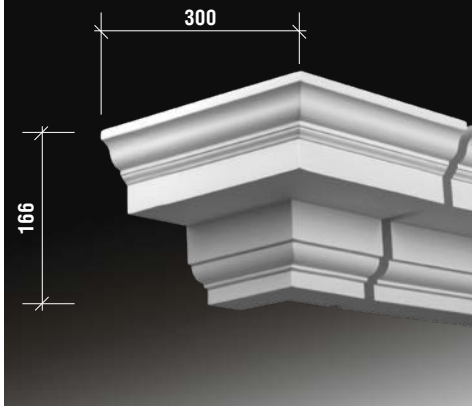
cornice length 2 meters  
combined with Mutule 4.35.102



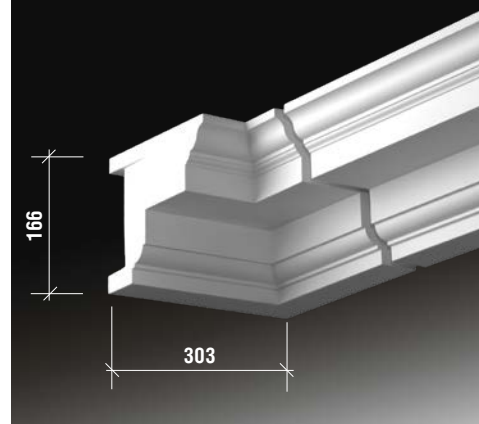
dimensions in millimeters

## entablaments

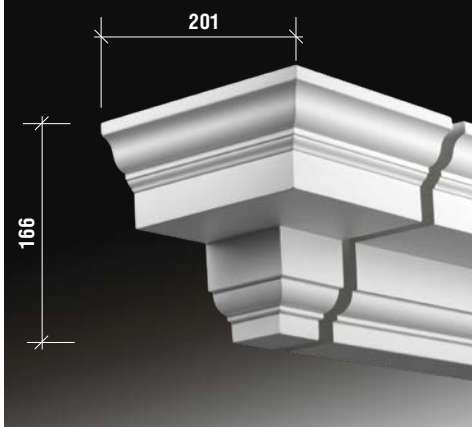
4.32.111 external angle joint element



4.32.121 internal angle joint element

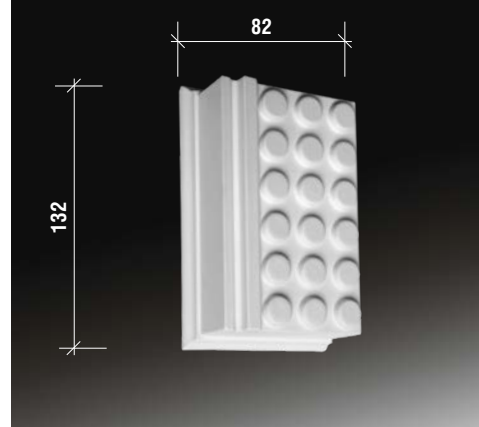


4.32.131 end element



4.35.102 mutule

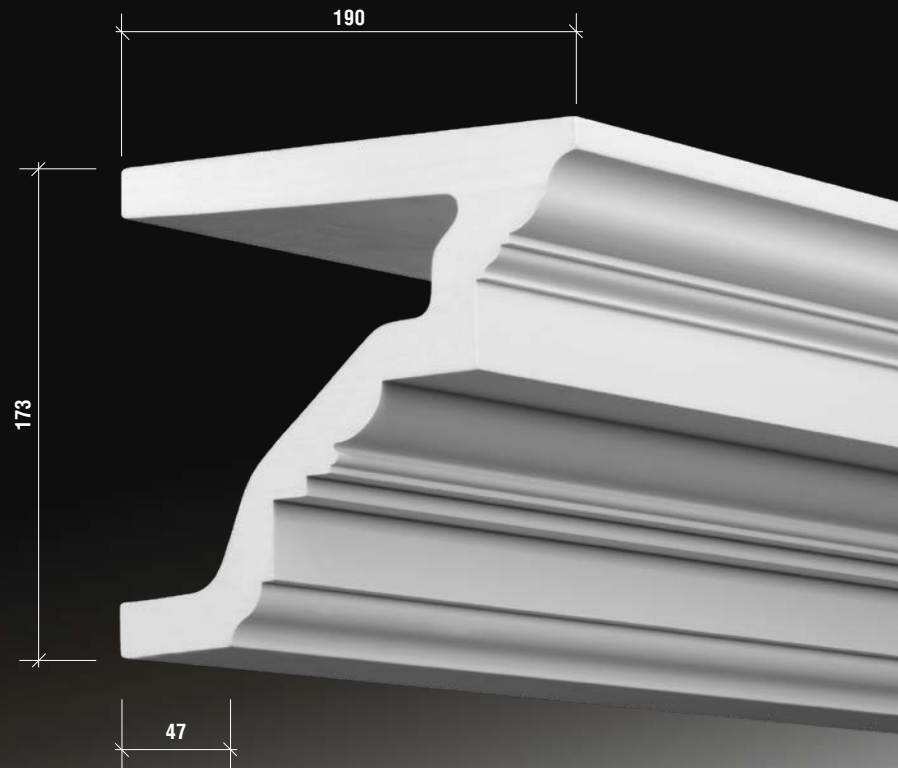
Mutule depth 41 mm



## cornices

4.32.201 cornice

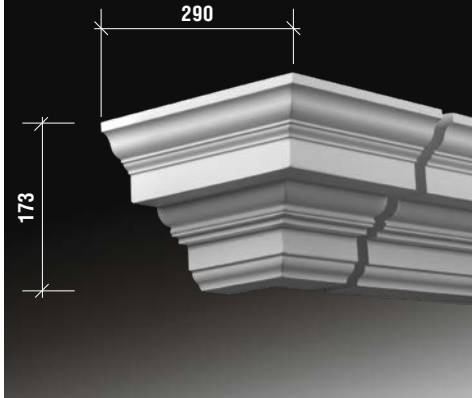
cornice length 2 meters



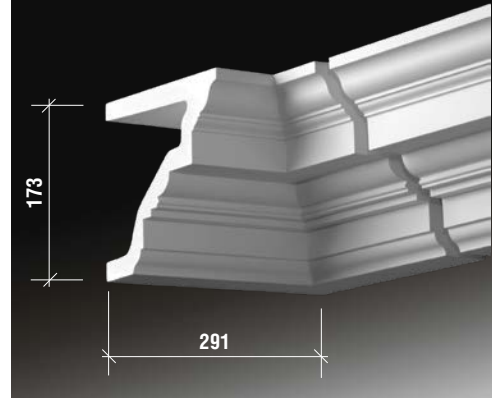
dimensions in millimeters

entablatures

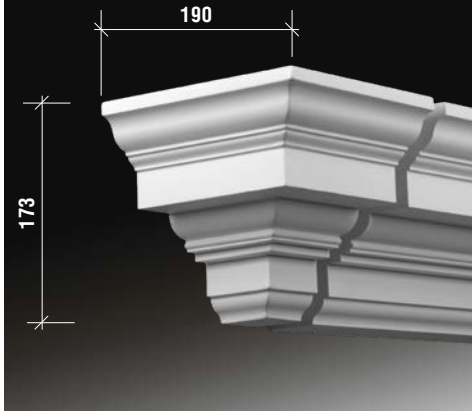
4.32.211 external angle joint element



4.32.221 internal angle joint element



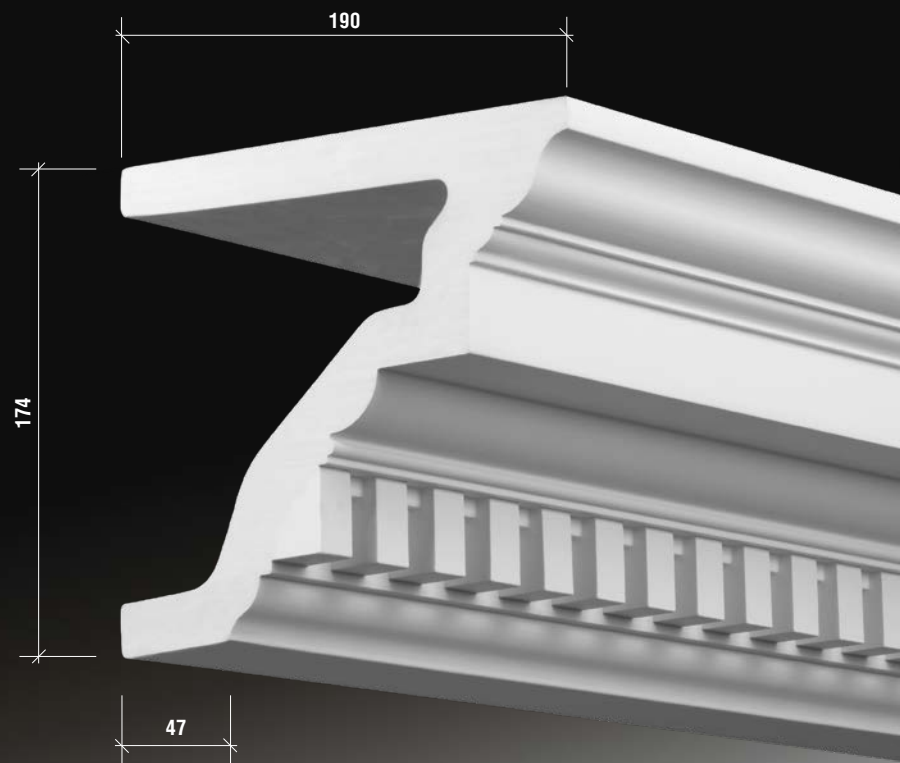
4.32.231 end element



## cornices

4.32.202 cornice

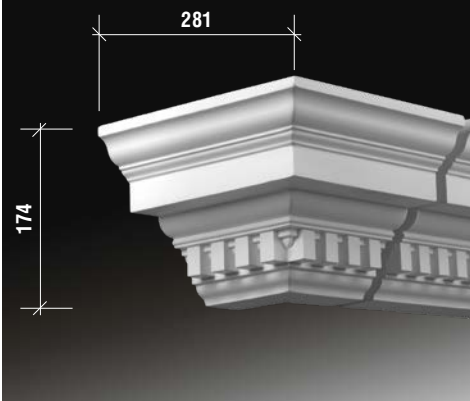
cornice length 2 meters



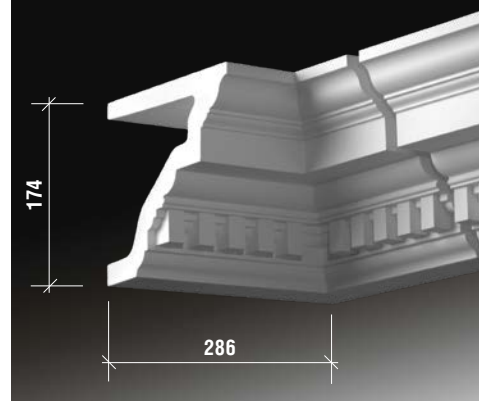
dimensions in millimeters

entablatures

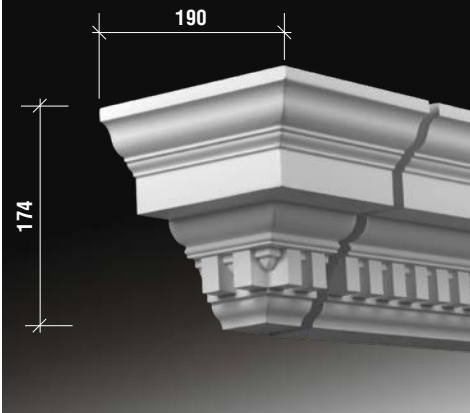
4.32.212 external angle joint element



4.32.222 internal angle joint element



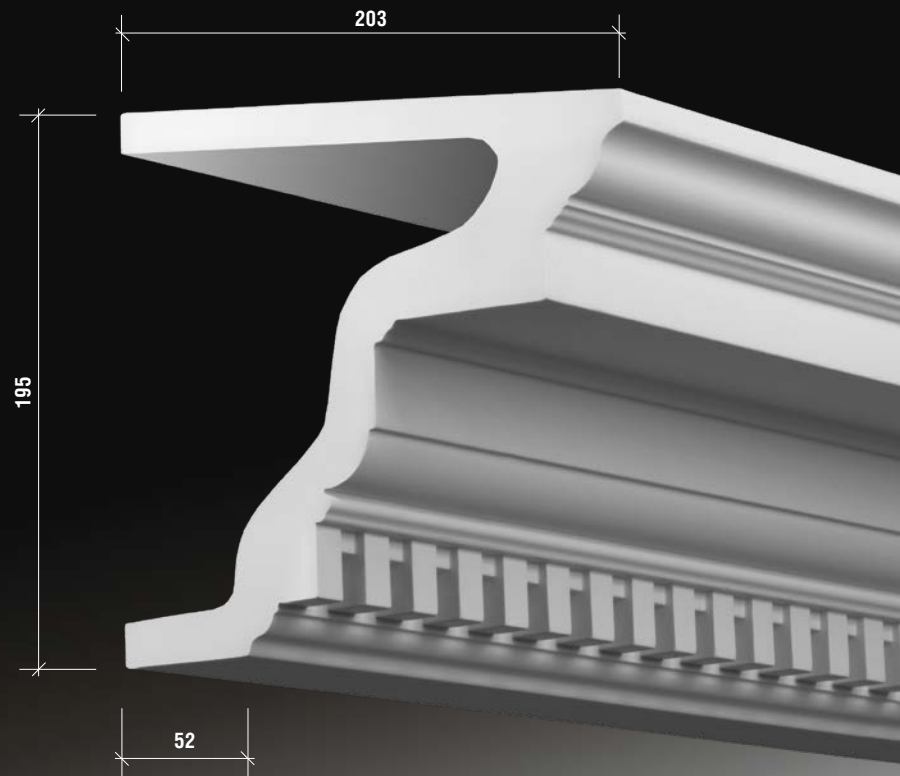
4.32.232 end element



## cornices

4.32.301 cornice

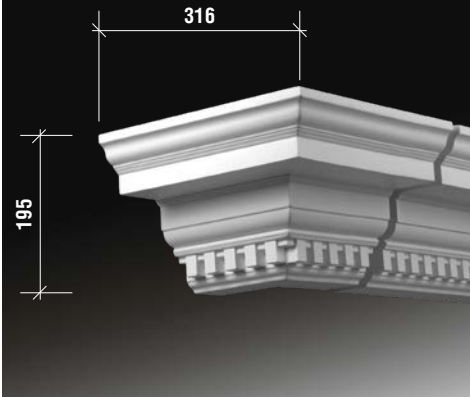
cornice length 2 meters  
combined with Modillion 4.38.302



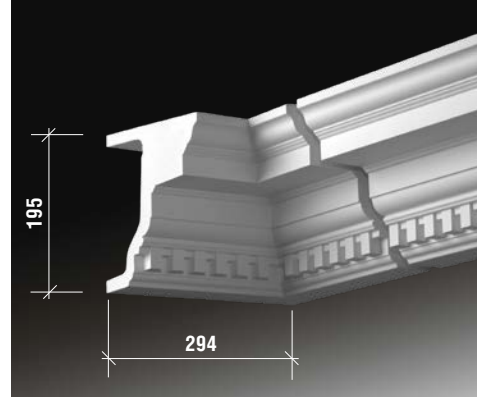
dimensions in millimeters

## entablaments

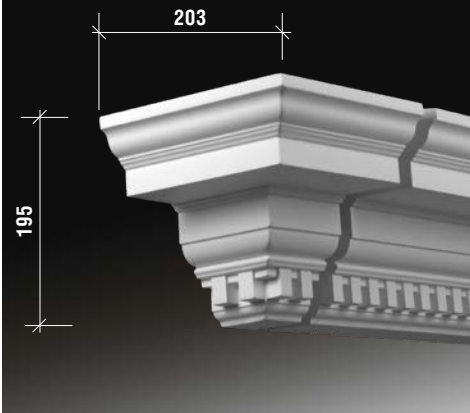
4.32.311 external angle joint element



4.32.321 internal angle joint element

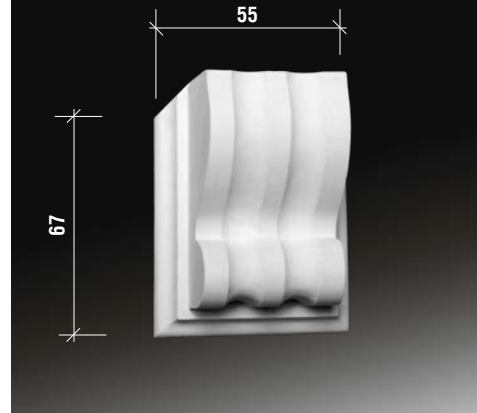


4.32.331 end element



4.38.302 Modillion

Modillion depth 33 mm

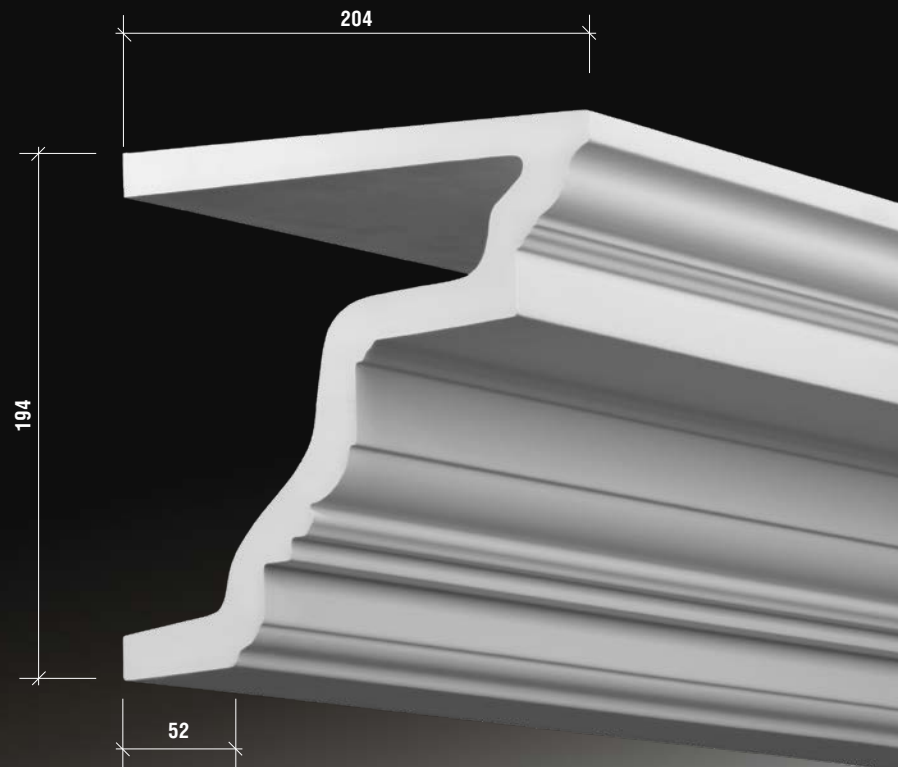




## cornices

4.32.302 cornice

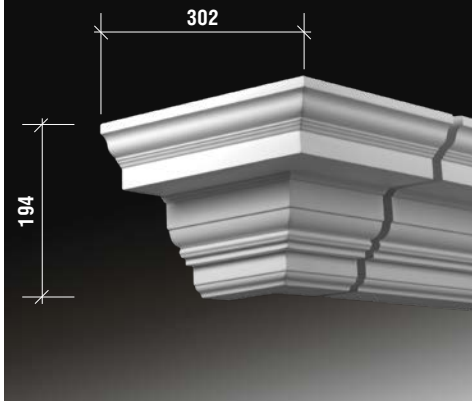
cornice length 2 meters  
combined with Modillion 4.38.302



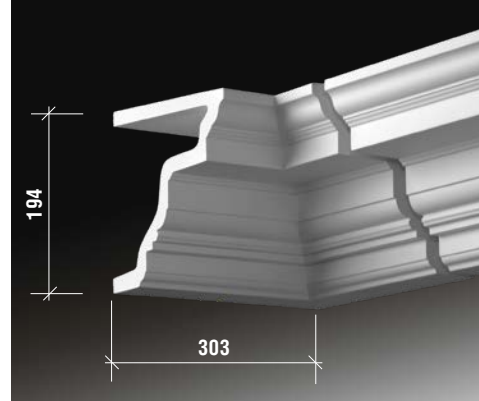
dimensions in millimeters

## entablaments

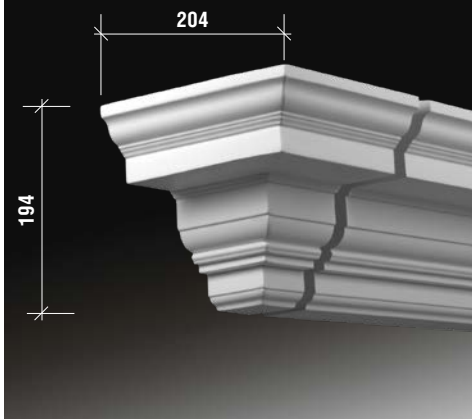
4.32.312 external angle joint element



4.32.322 internal angle joint element

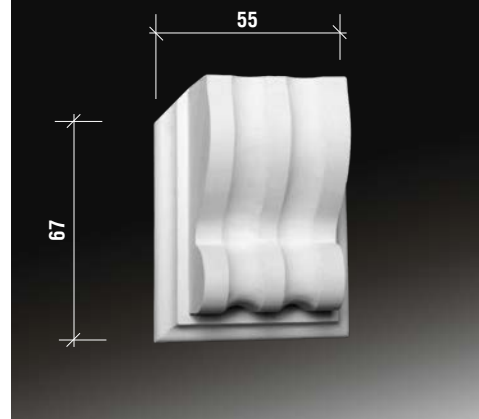


4.32.332 end element



4.38.302 Modillion

Modillion depth 33 mm



## cornices

4.81.001 cornice

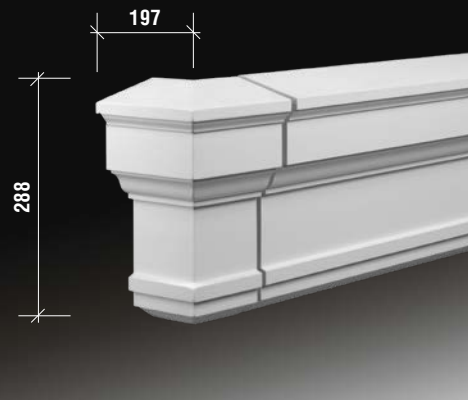
cornice length 2 meters



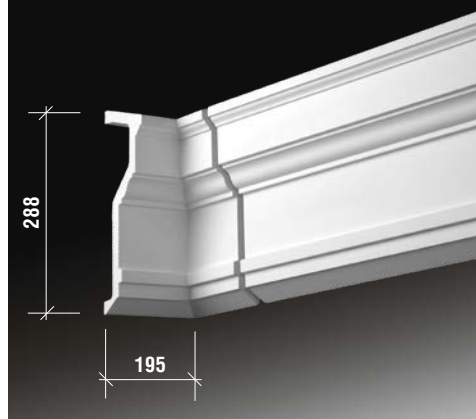
dimensions in millimeters

entablements

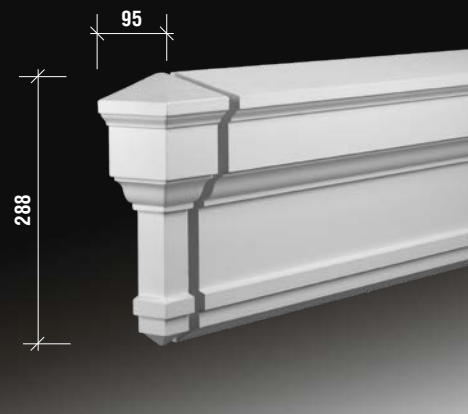
4.81.011 external angle joint element



4.81.021 internal angle joint element



4.81.031 end element



## cornices

4.81.002 cornice

cornice length 2 meters

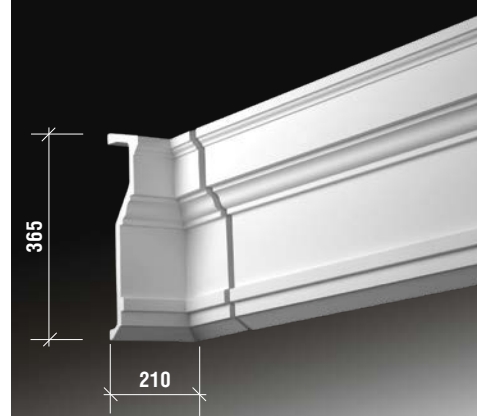


dimensions in millimeters

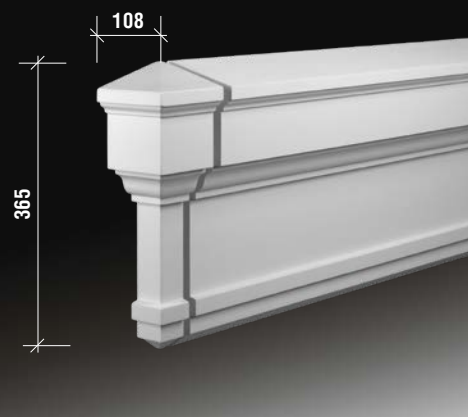
4.81.012 external angle joint element



4.81.022 internal angle joint element



4.81.032 end element



4.91.001 cornice

cornice length 2 meters



dimensions in millimeters

4.91.002 cornice

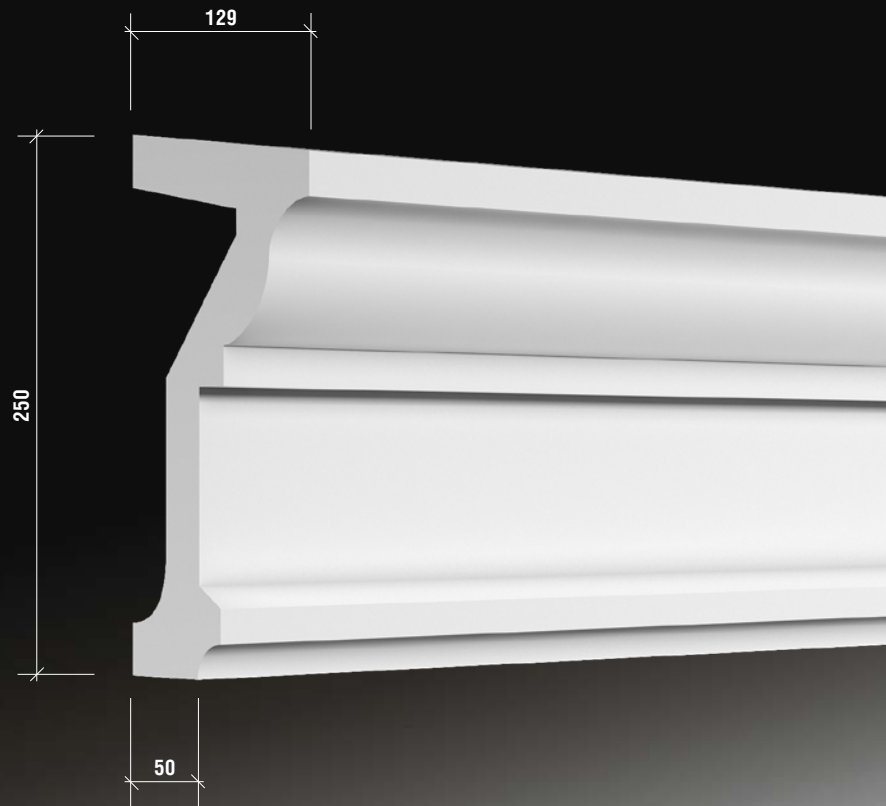
cornice length 2 meters



dimensions in millimeters

4.91.003 cornice

cornice length 2 meters



dimensions in millimeters

4.91.004 cornice

cornice length 2 meters



dimensions in millimeters

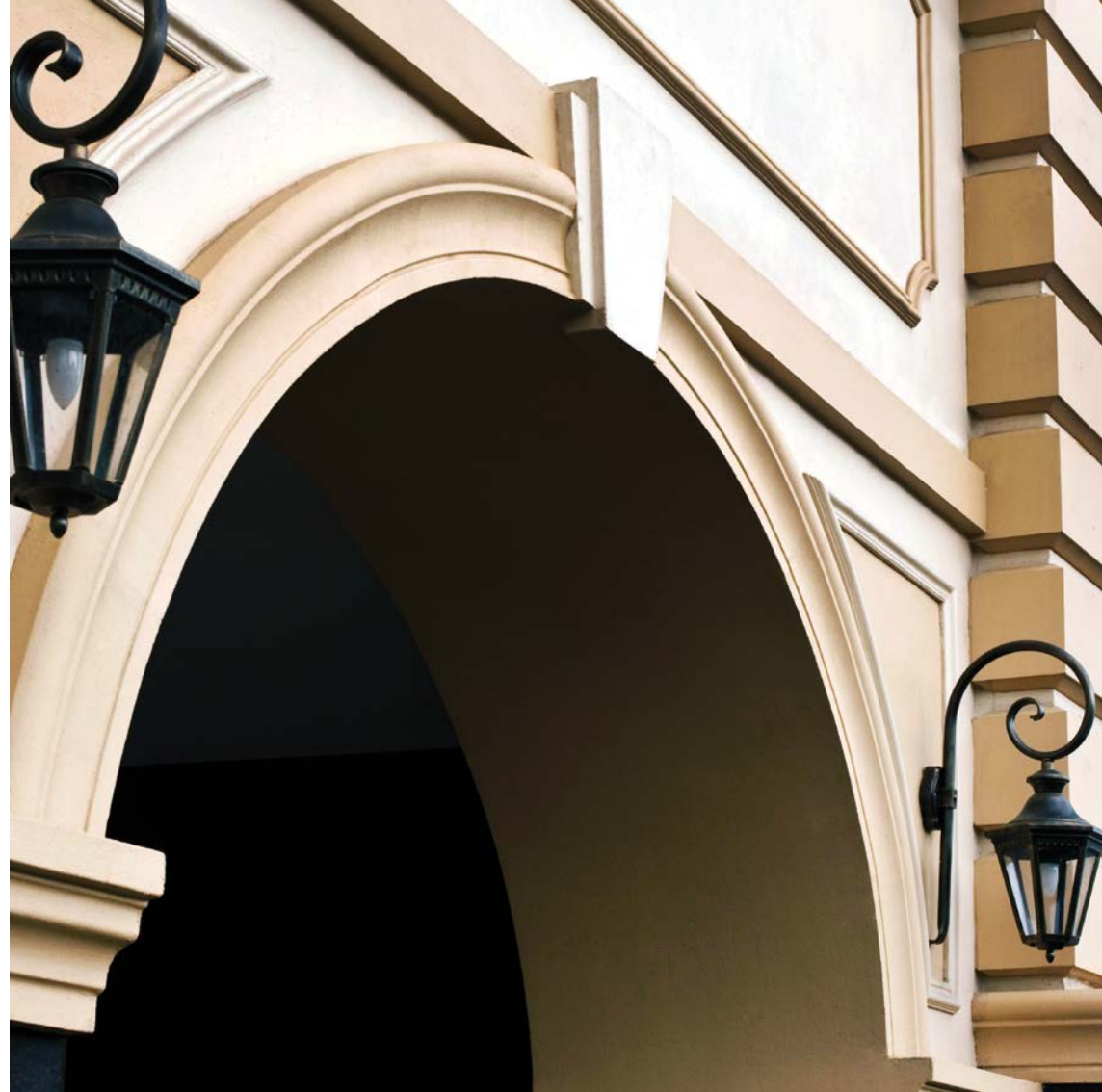
## cornices

4.91.005 cornice

cornice length 2 meters



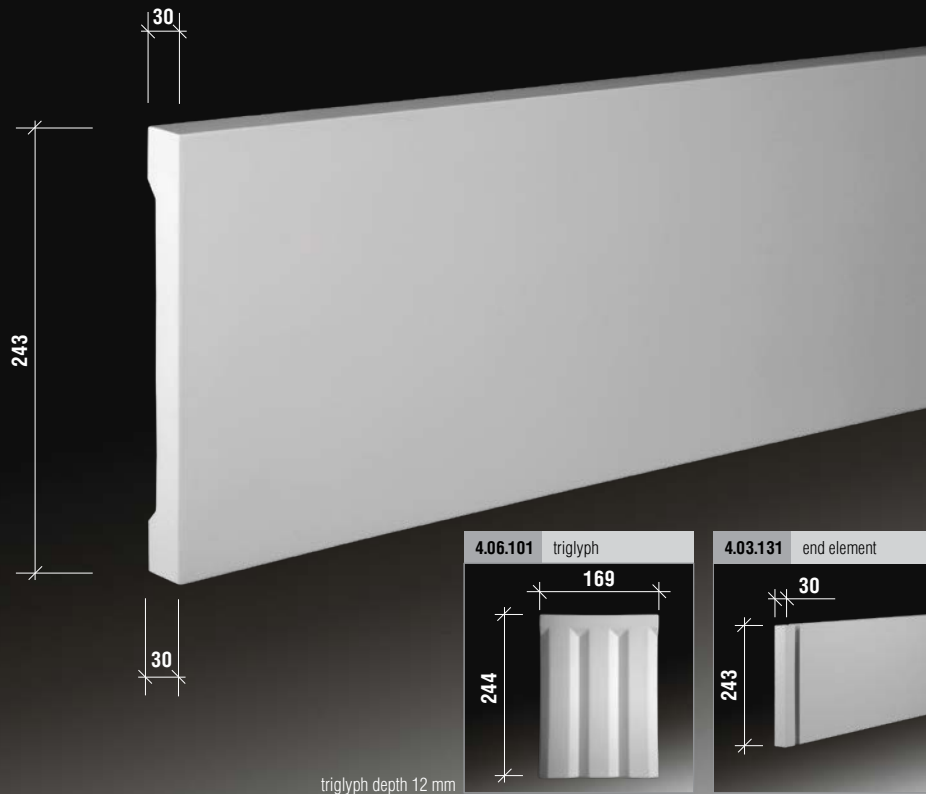
dimensions in millimeters



# friezes

4.03.101 frieze

frieze length 2 meters  
combined with triglyph 4.06.101



dimensions in millimeters

# entablements

4.03.102 frieze

frieze length 2 meters



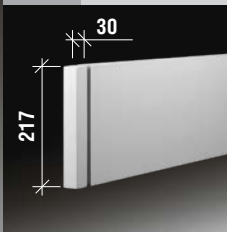


4.03.201 frieze

frieze length 2 meters



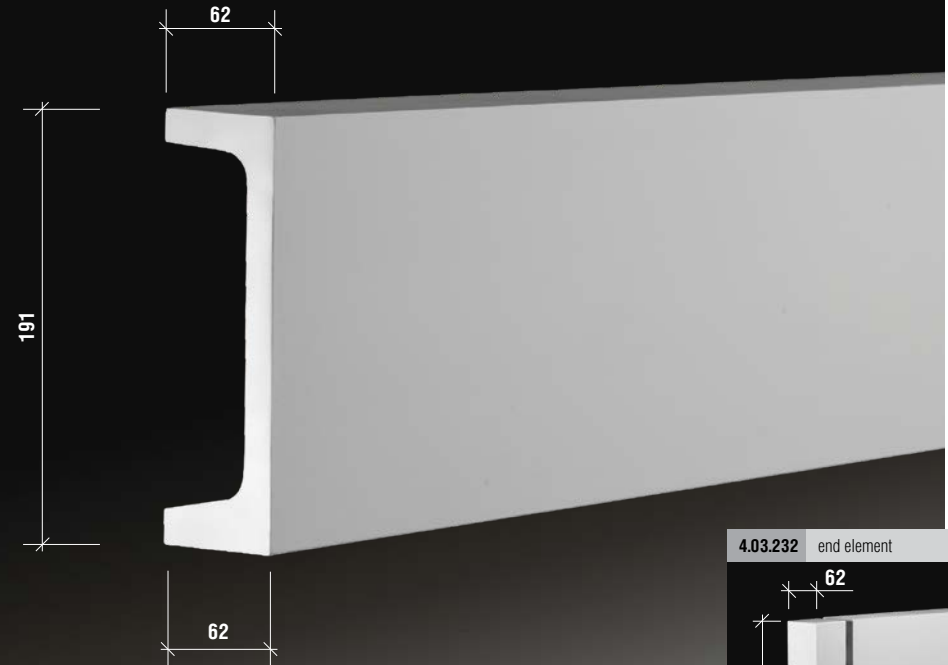
4.03.231 end element



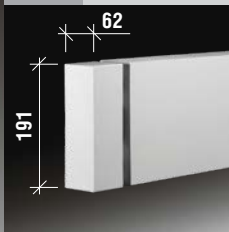
dimensions in millimeters

4.03.202 frieze

frieze length 2 meters



4.03.232 end element



4.03.301 frieze

frieze length 2 meters



4.03.331 end element

4.03.302 frieze

frieze length 2 meters



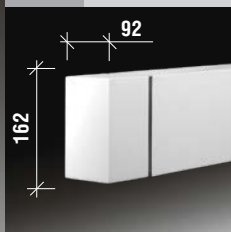
4.03.332 end element

4.33.101 frieze

frieze length 2 meters



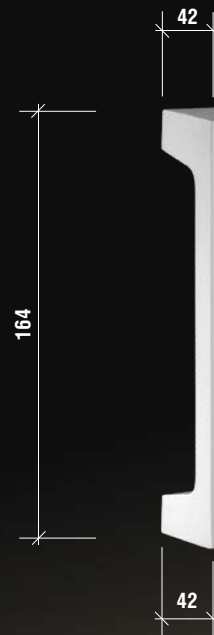
4.33.131 end element



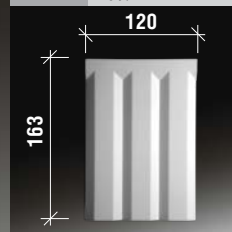
dimensions in millimeters

4.33.102 frieze

frieze length 2 meters  
combined with triglyph 4.36.101

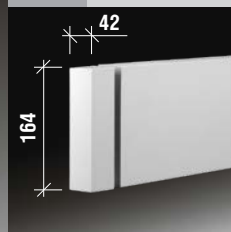


4.36.101 triglyph



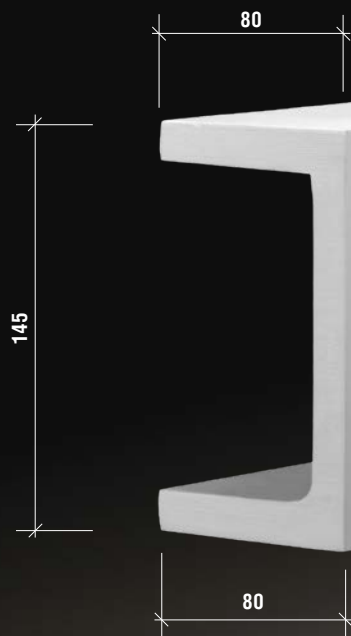
triglyph depth 9 mm

4.33.132 end element

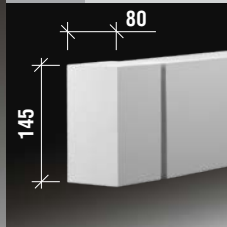


4.33.201 frieze

frieze length 2 meters



4.33.231 end element

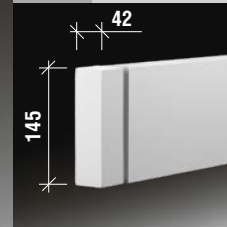


4.33.202 frieze

frieze length 2 meters



4.33.232 end element

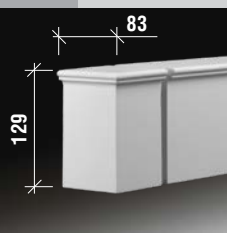


4.33.301 frieze

frieze length 2 meters



4.33.331 end element



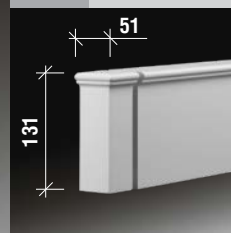
dimensions in millimeters

4.33.302 frieze

frieze length 2 meters

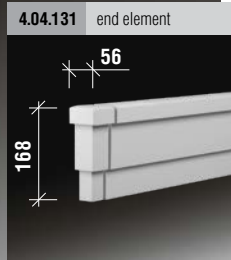
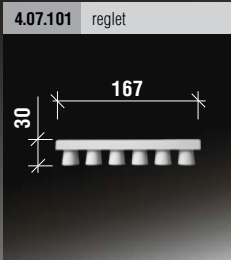
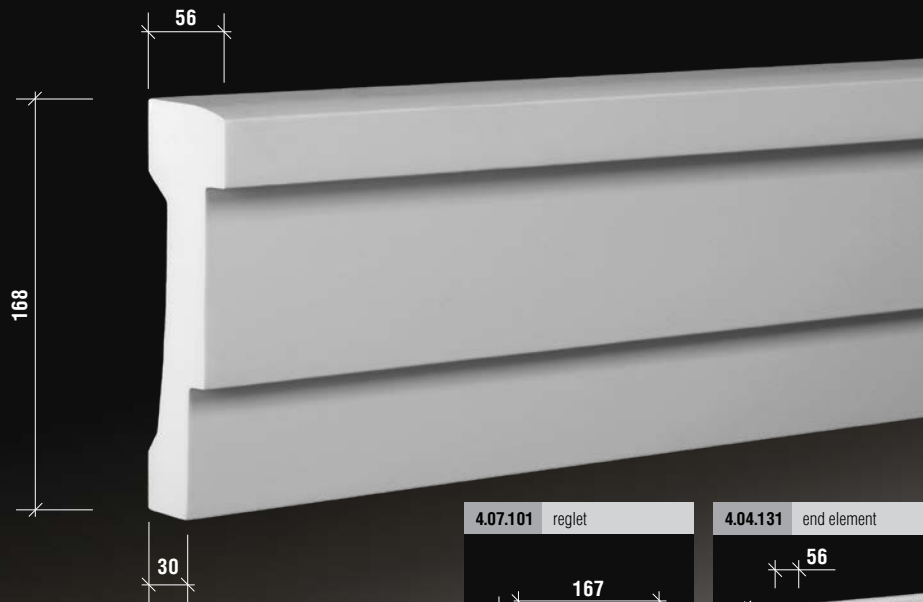


4.33.332 end element



4.04.101 architrave

architrave length 2 meters  
combined with reglet **4.07.101**

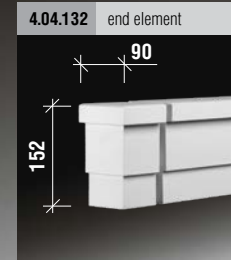
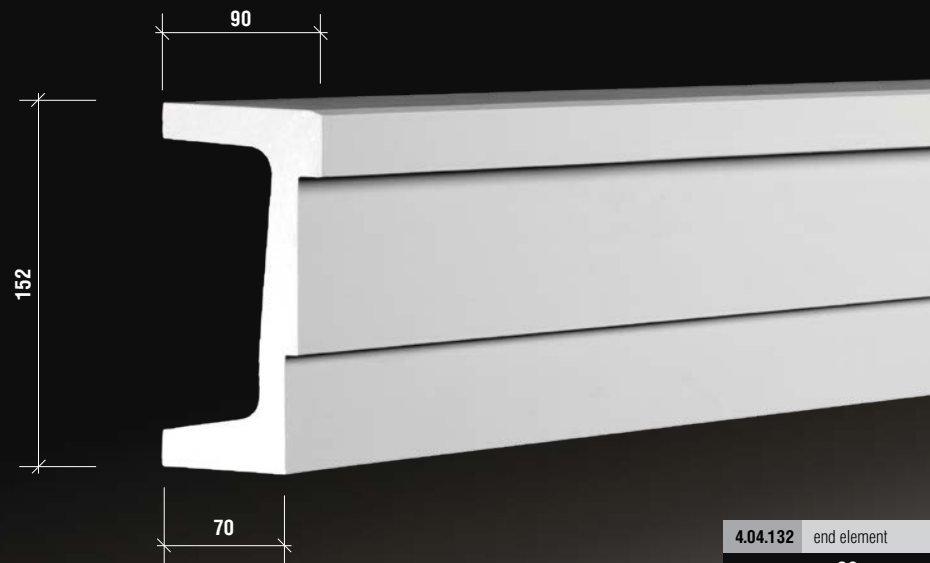


reglet depth 12 mm

dimensions in millimeters

4.04.102 architrave

architrave length 2 meters



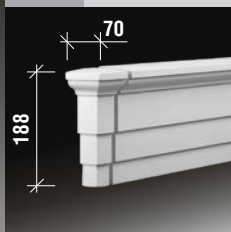
# architraves

4.04.201 architrave

architrave length 2 meters



4.04.231 end element



dimensions in millimeters

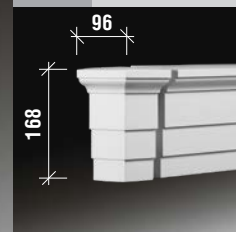
# entablements

4.04.202 architrave

architrave length 2 meters



4.04.232 end element





# architraves

4.04.301 architrave

architrave length 2 meters



4.04.331 end element



dimensions in millimeters

# entablements

4.04.302 architrave

architrave length 2 meters

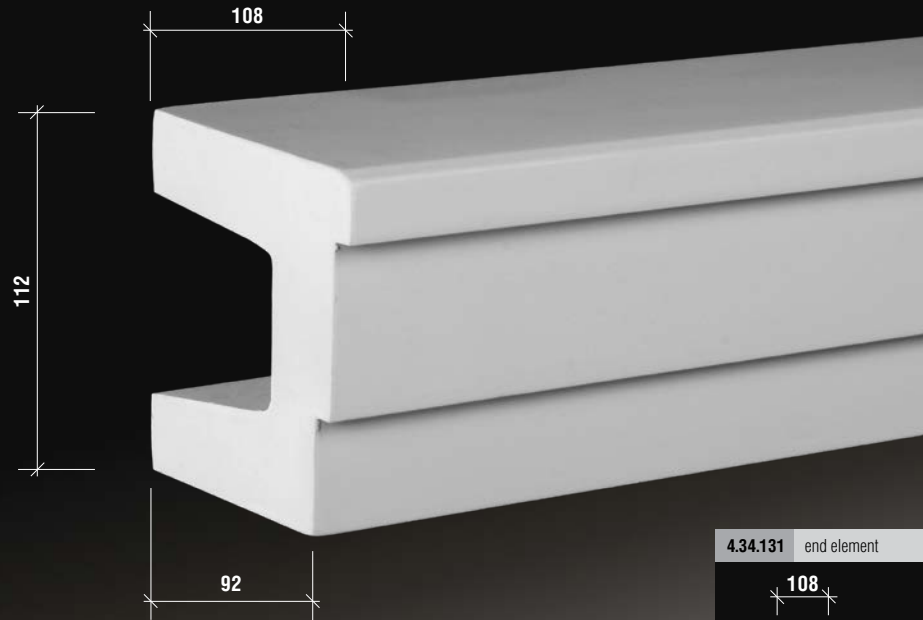


4.04.332 end element

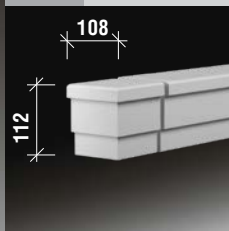


4.34.101 architrave

architrave length 2 meters



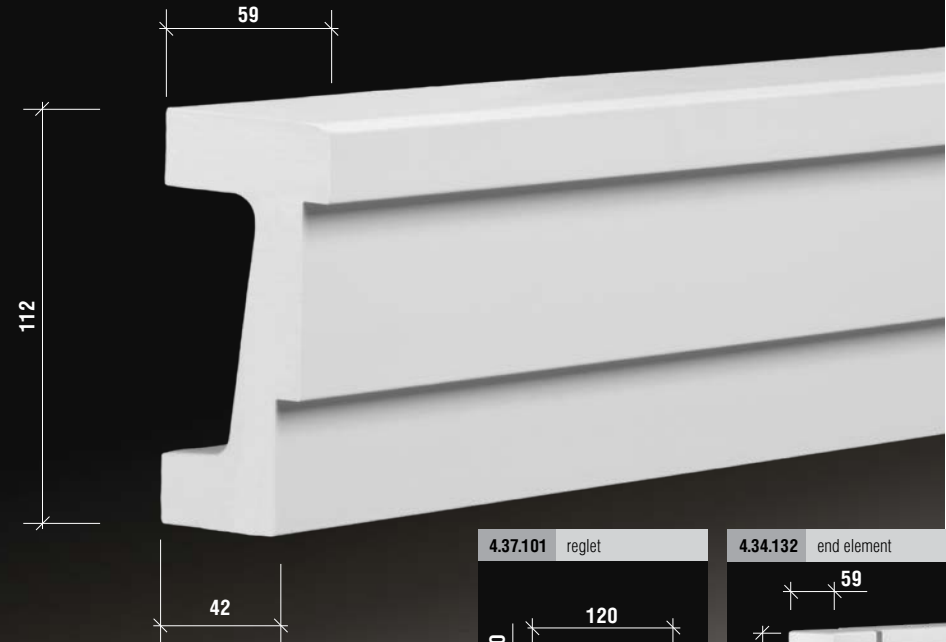
4.34.131 end element



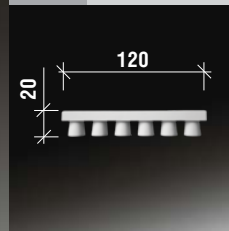
dimensions in millimeters

4.34.102 architrave

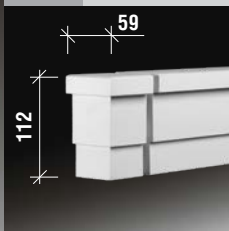
architrave length 2 meters  
combined with reglet **4.07.101**



4.37.101 reglet



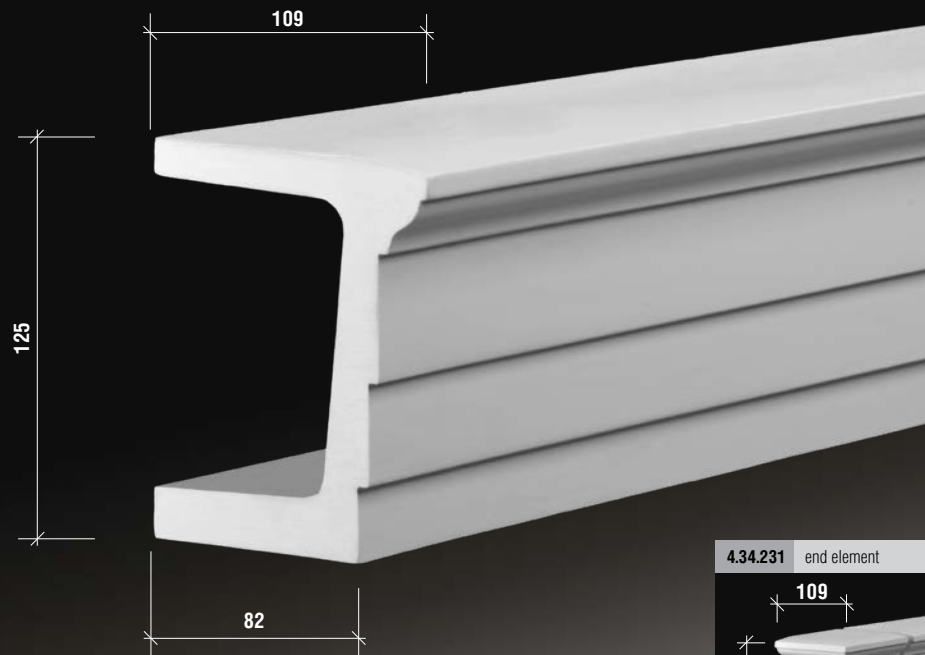
4.34.132 end element



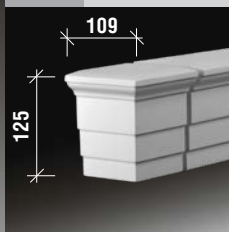
reglet depth 8 mm

4.34.201 architrave

architrave length 2 meters



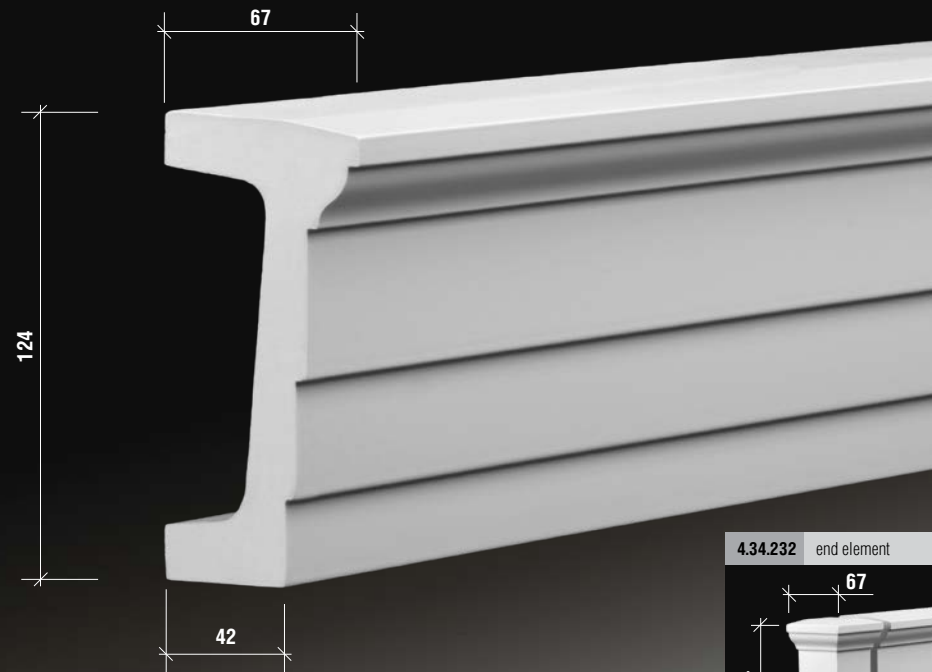
4.34.231 end element



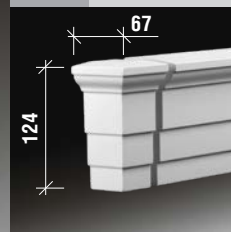
dimensions in millimeters

4.34.202 architrave

architrave length 2 meters



4.34.232 end element

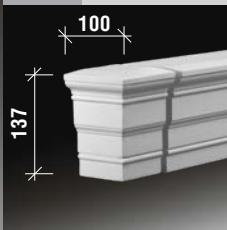


4.34.301 architrave

architrave length 2 meters



4.34.331 end element



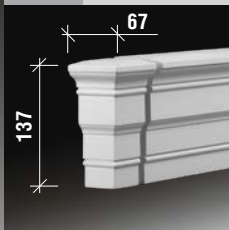
dimensions in millimeters

4.34.302 architrave

architrave length 2 meters



4.34.332 end element



## **balustrades**

---

balusters, balustrade pillars	88, 92
balustrade bases, balustrade railings, caps	89, 93
half balusters, balustrade half pillars	90, 94
balustrade half bases, balustrade half railings, half caps	91, 95

1	4.71.101	baluster
2	4.74.101	balustrade base
3	4.72.101	balustrade railing
4	4.75.101	balustrade pillar
5	4.76.101	pyramidal balustrade cap



## balusters/balustrade pillars

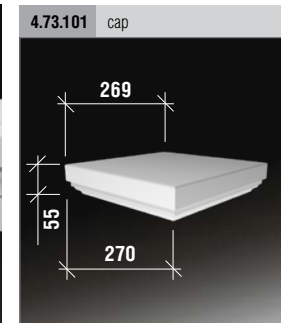
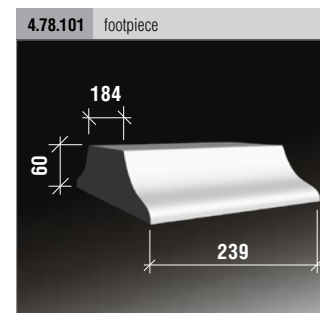
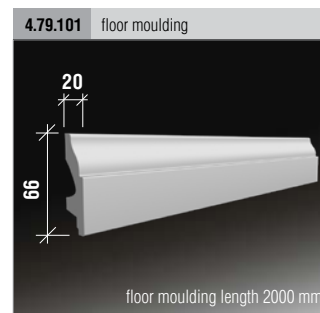
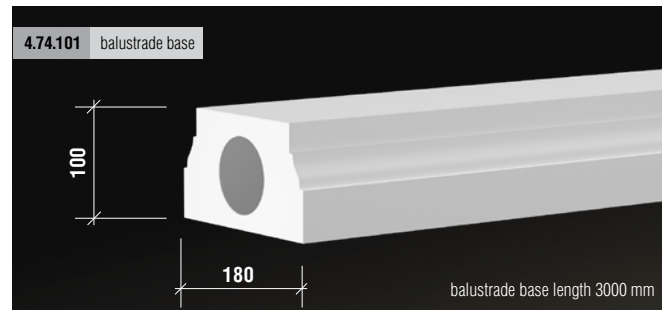
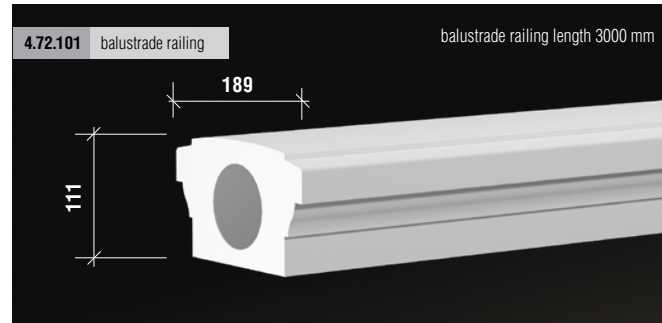


dimensions in millimeters



## balustrade bases, balustrade railings, balustrade caps

balustrades





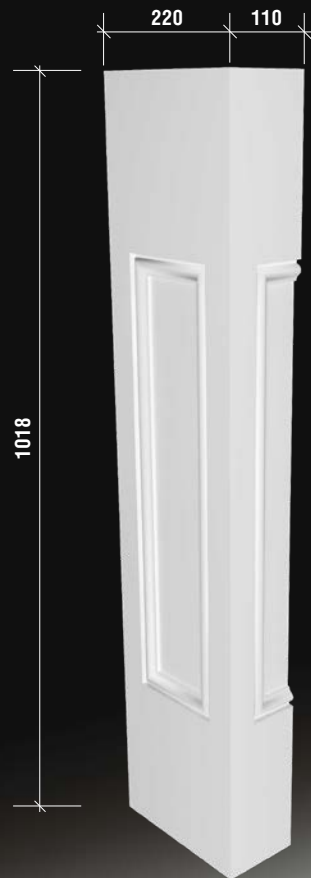
## half balusters, half balustrade pillars

4.71.111 half baluster



dimensions in millimeters

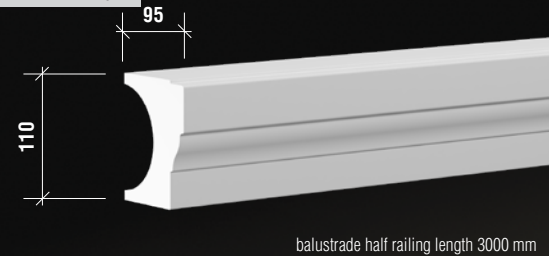
4.75.111 balustrade half pillar



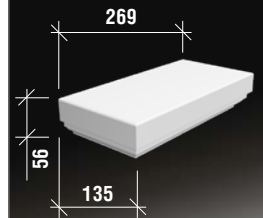
## half balustrade base, half balustrade railings, half cap

balustrades

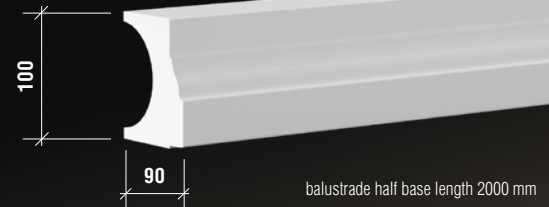
4.72.111 balustrade half railing



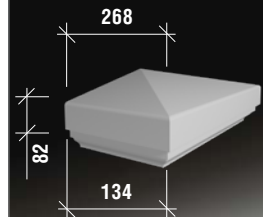
4.73.111 half cap



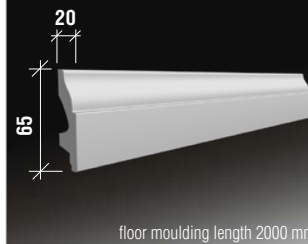
4.74.111 balustrade half base



4.76.111 balustrade pyramidal half cap



4.79.101 floor moulding



## balusters/balustrade pillars

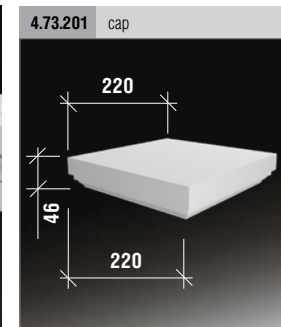
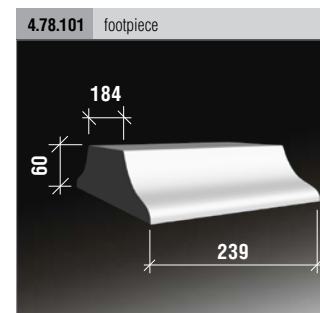
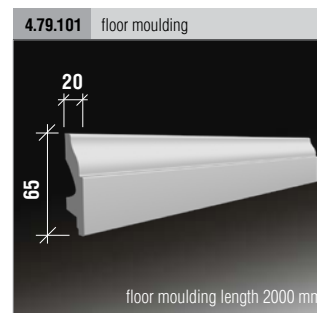
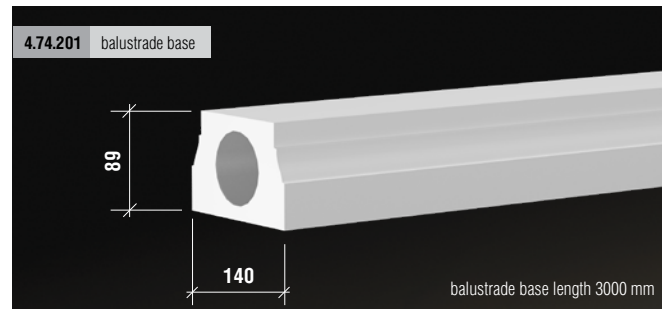
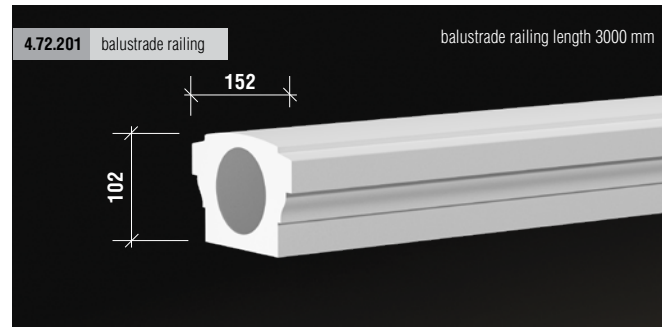


dimensions in millimeters

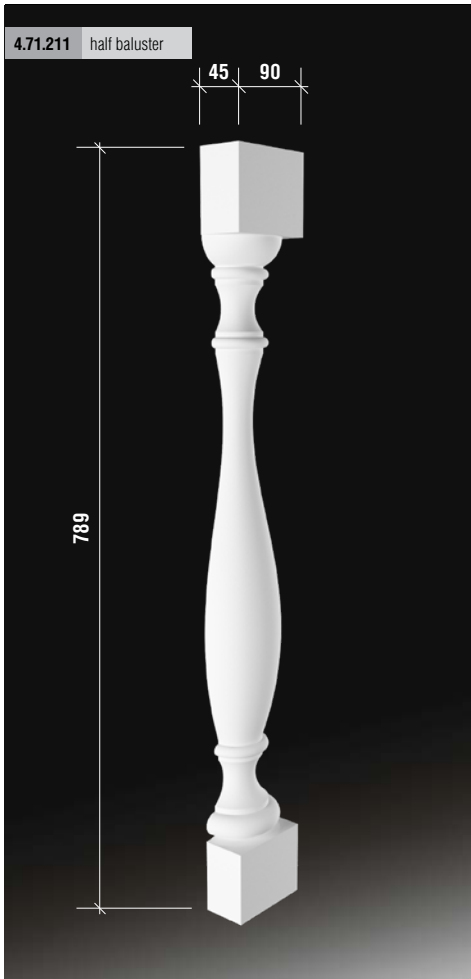


## balustrade base, balustrade railings, balustrade cap

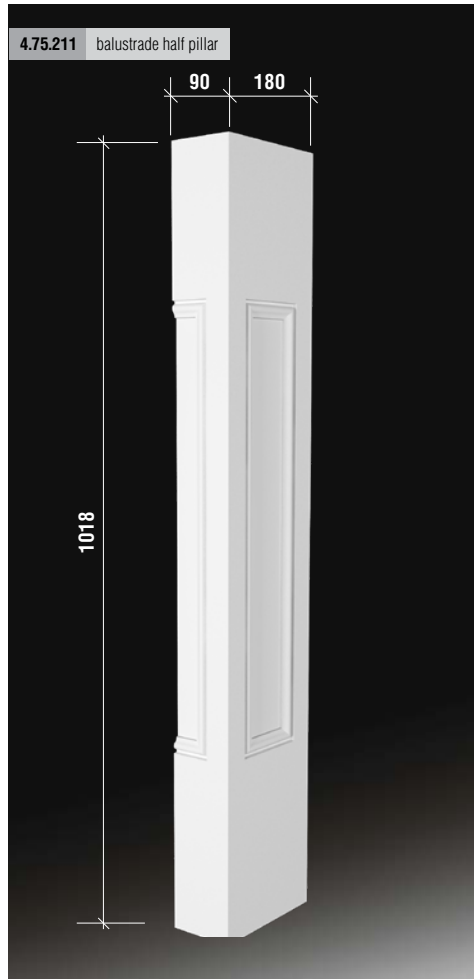
balustrades



## half balusters, half balustrade pillars

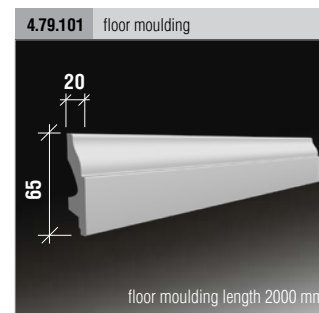
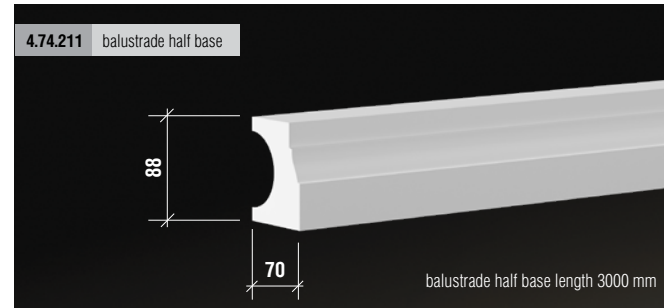
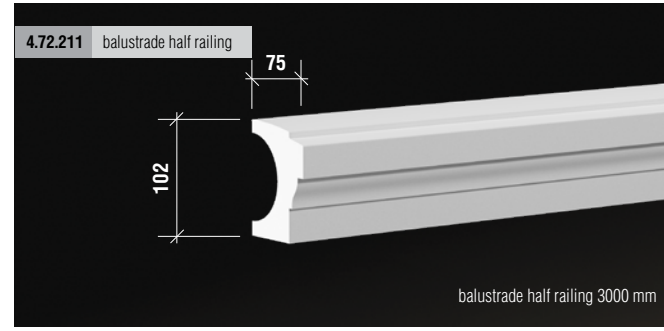


dimensions in millimeters



## half balustrade base, half balustrade railings, half cap

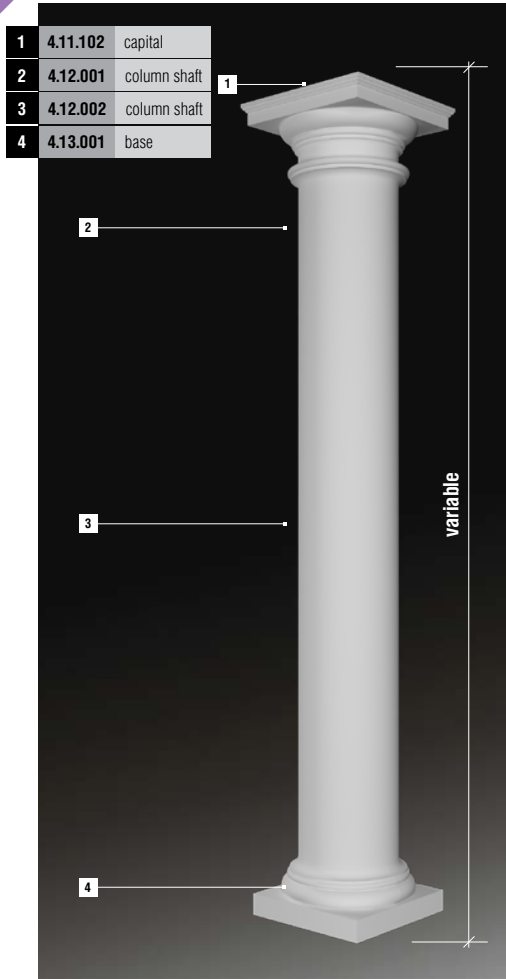
balustrades



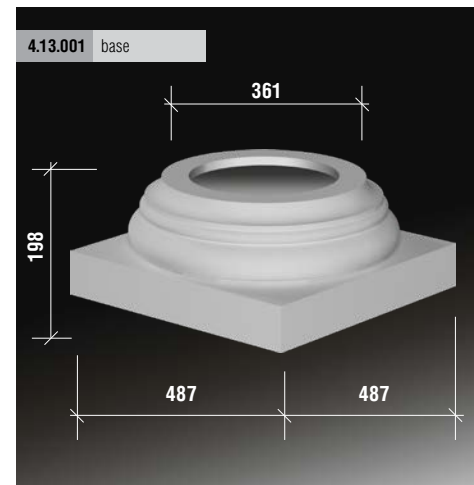
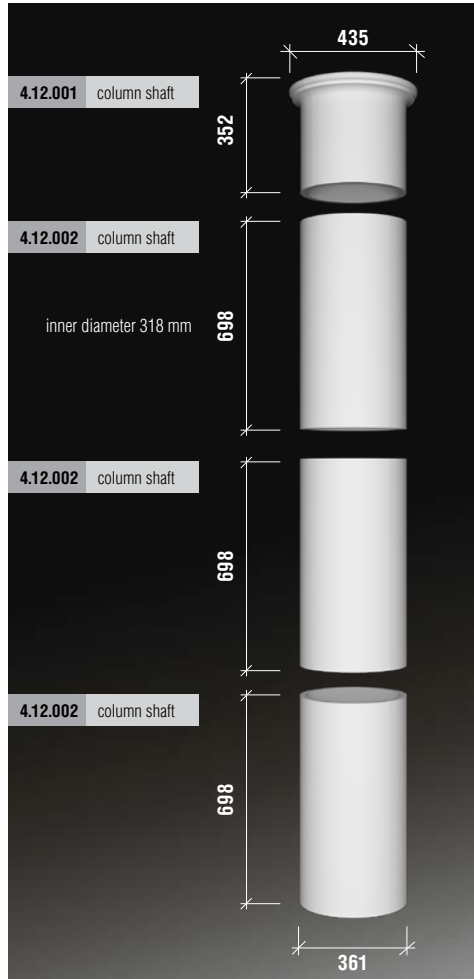
## **columns**

---

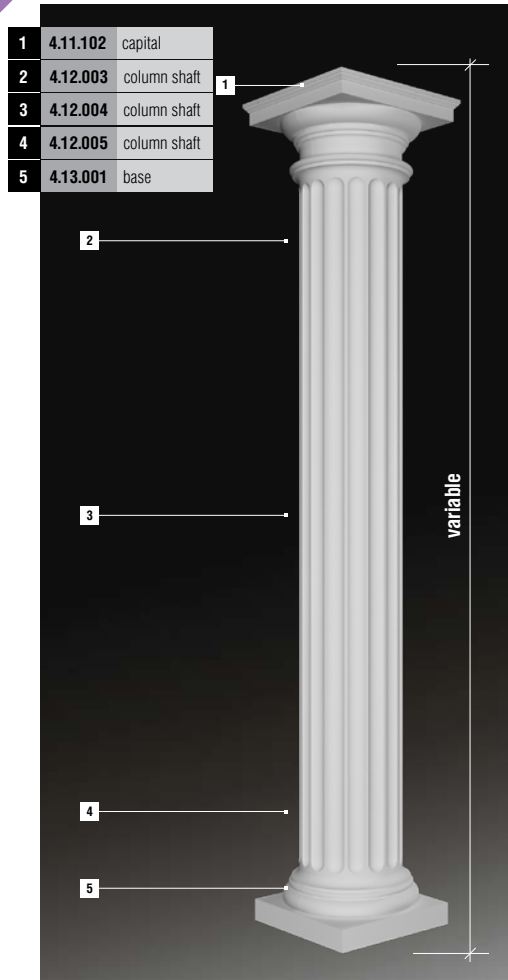
columns	98
half columns	126



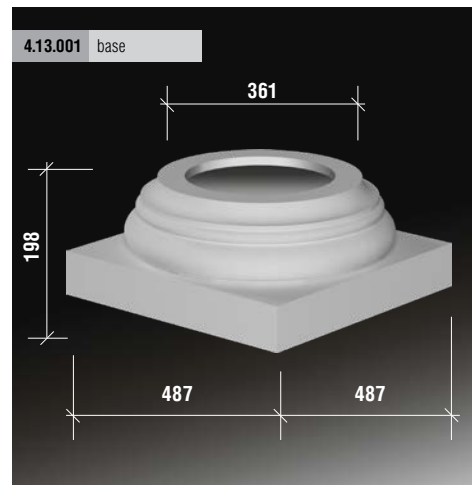
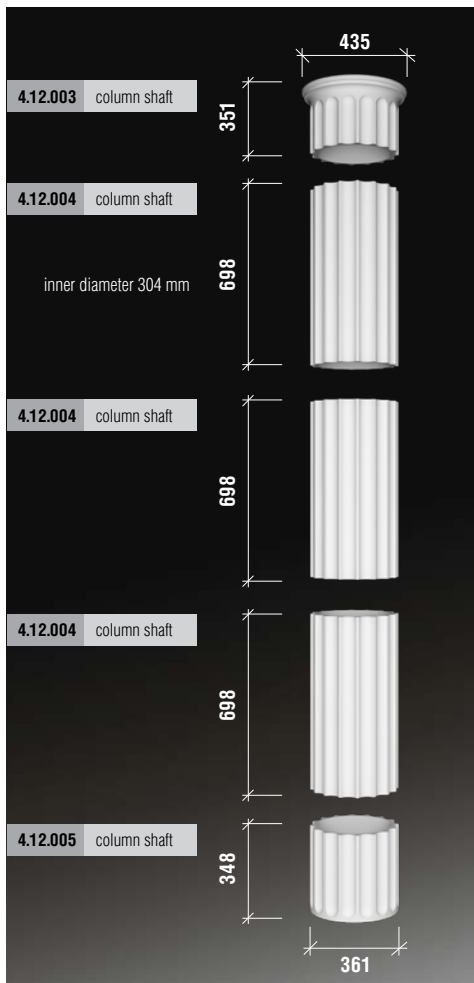
dimensions in millimeters

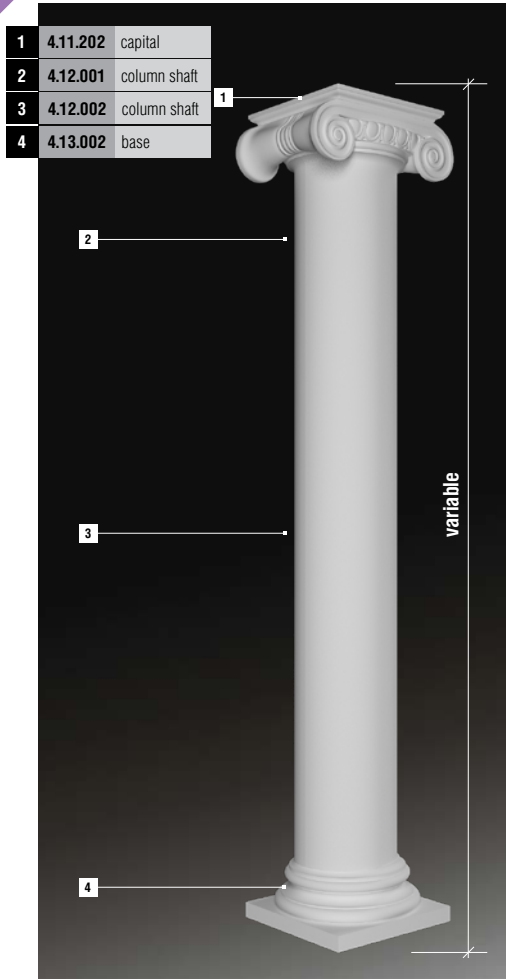


# columns

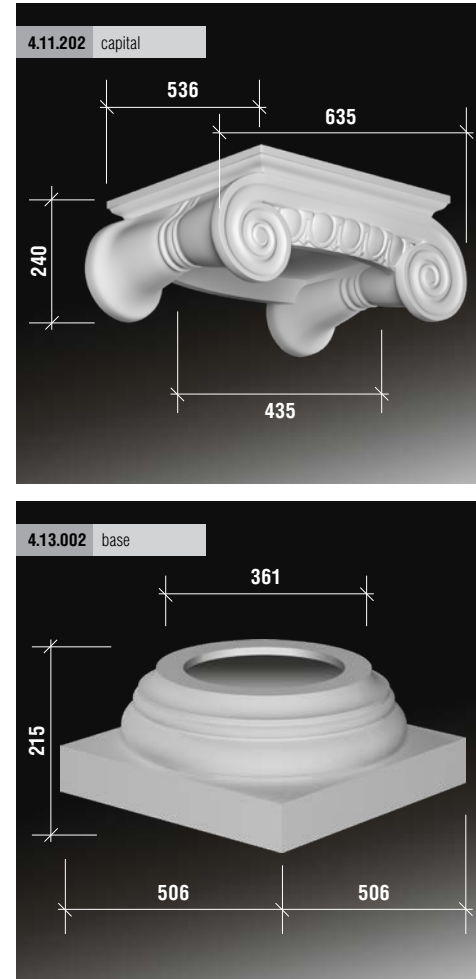
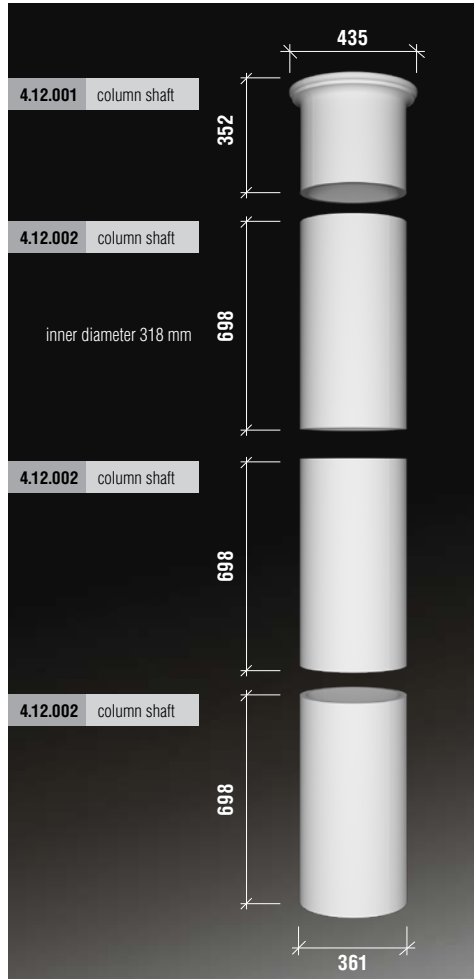


dimensions in millimeters



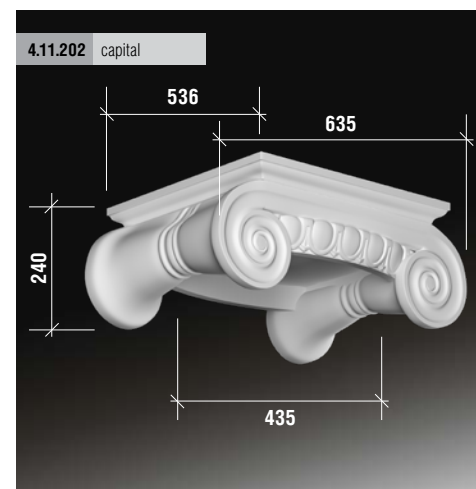
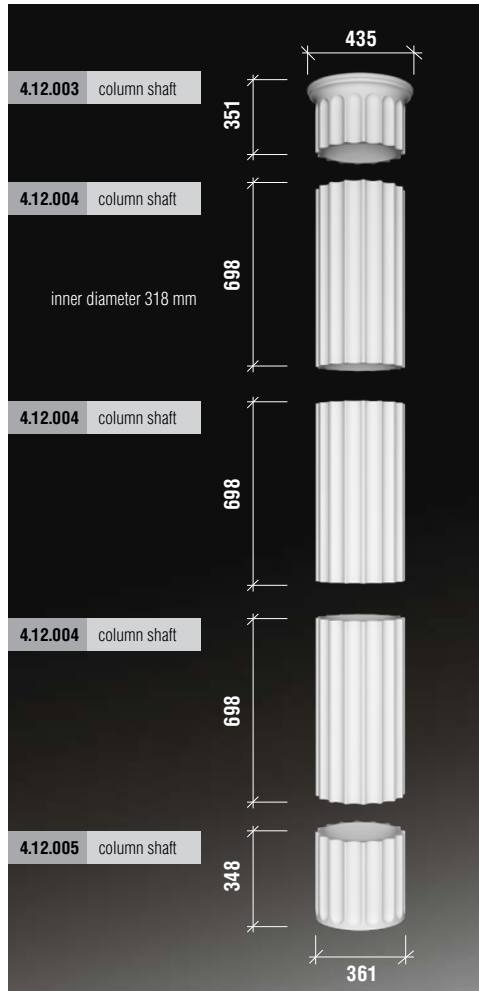
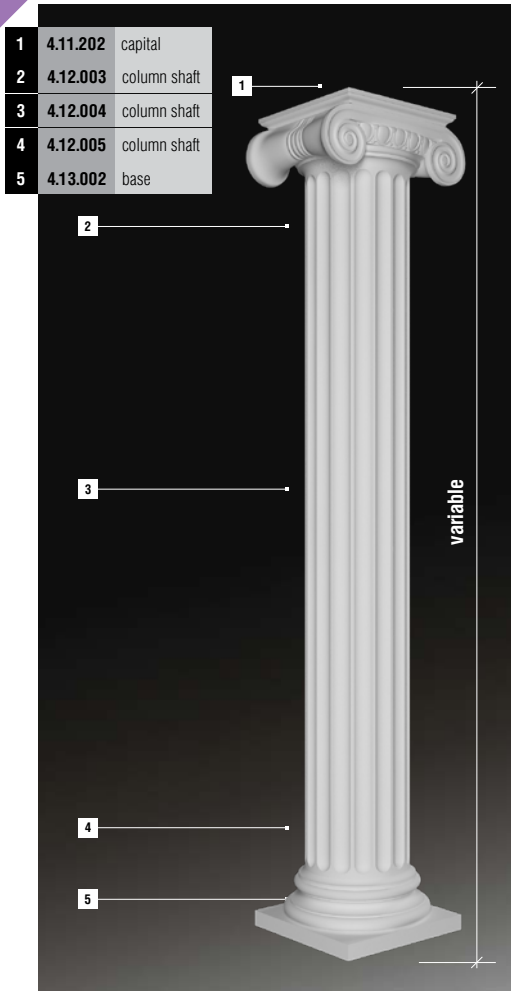


dimensions in millimeters

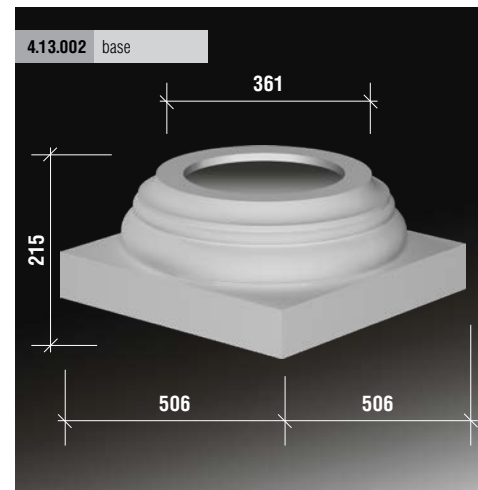
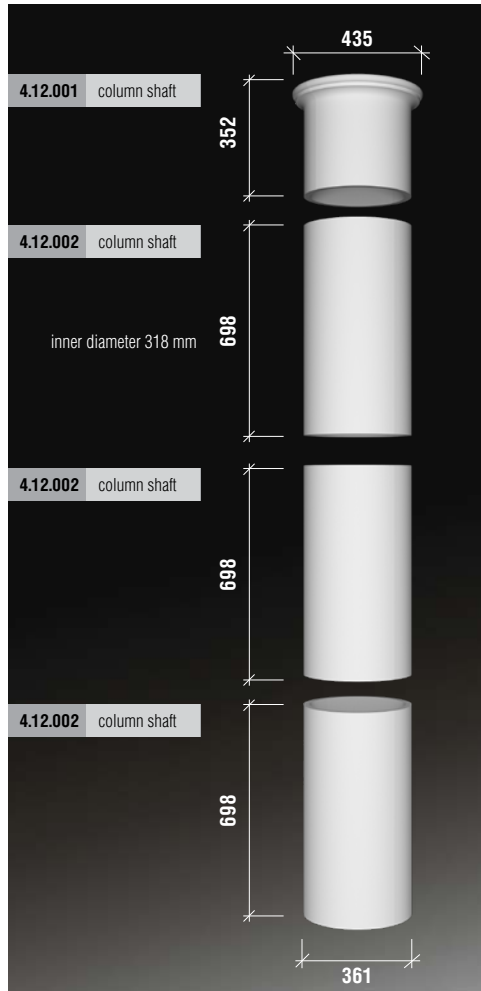
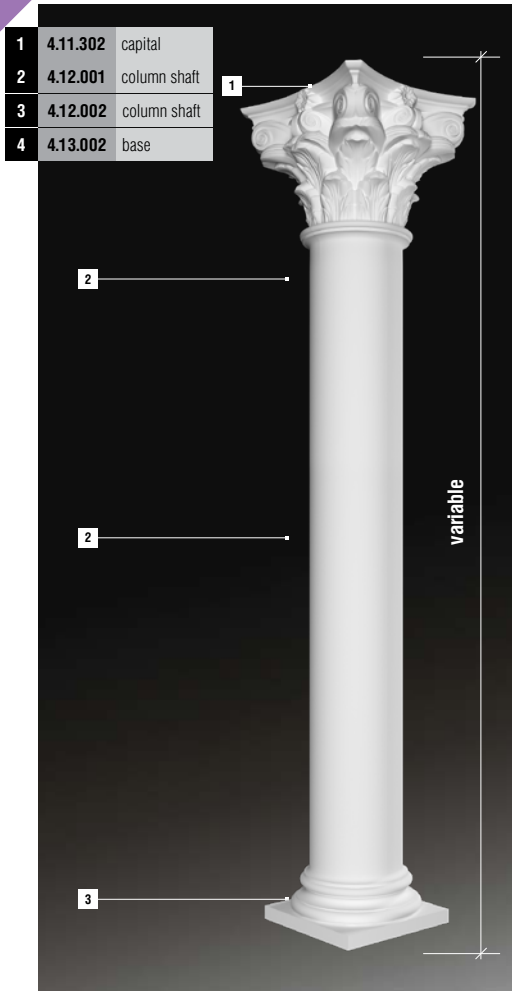


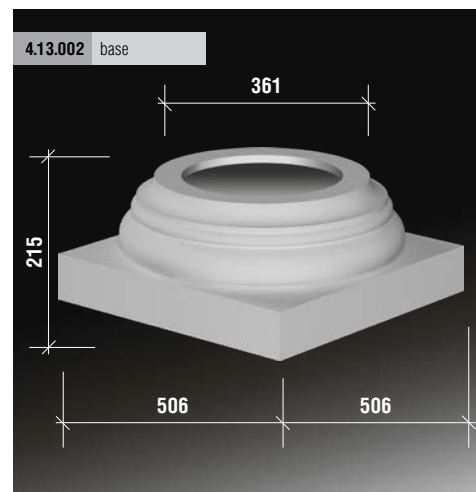
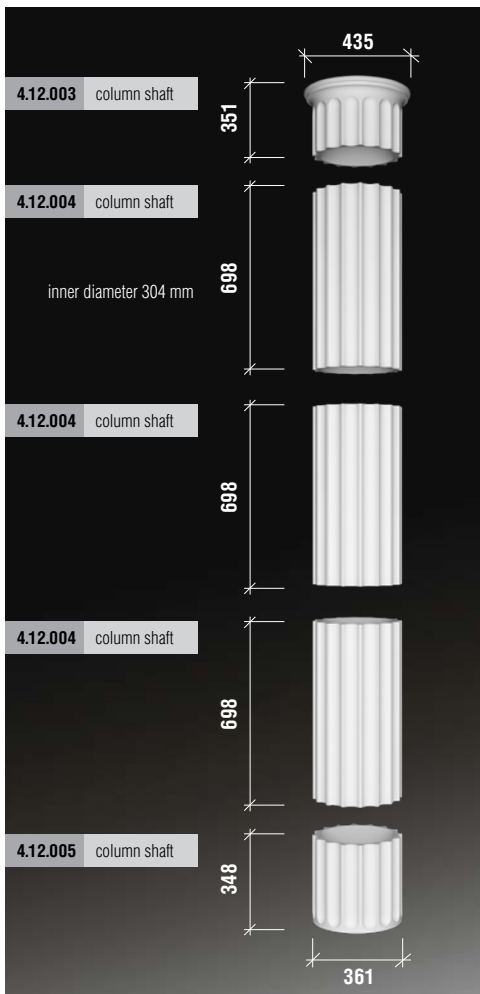
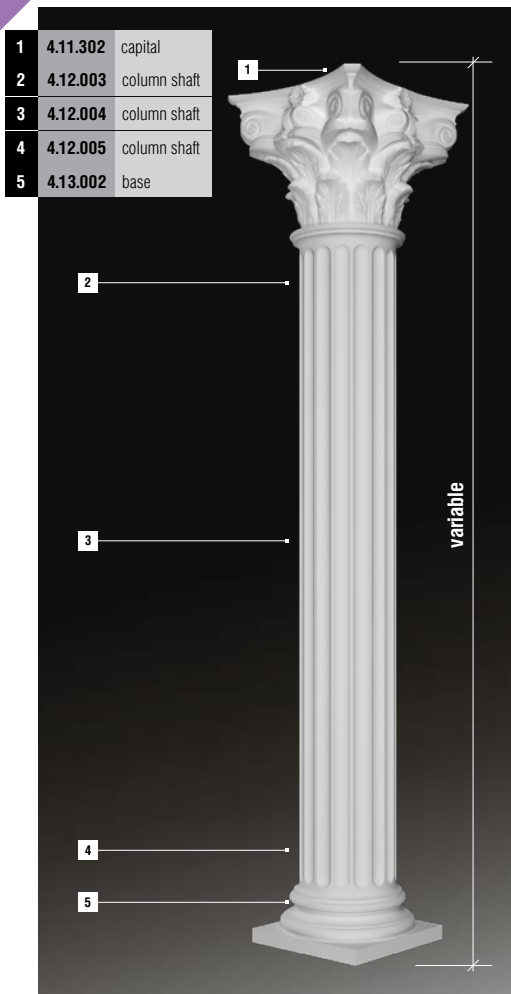


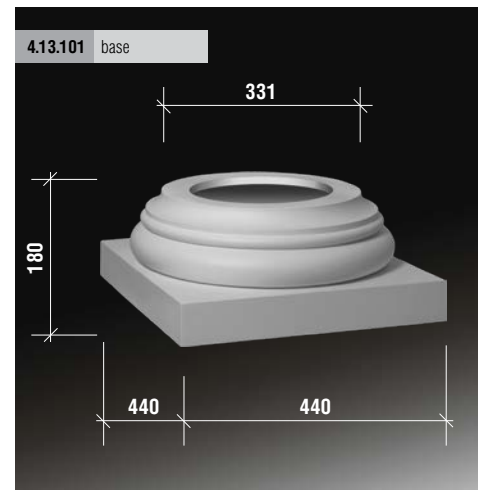
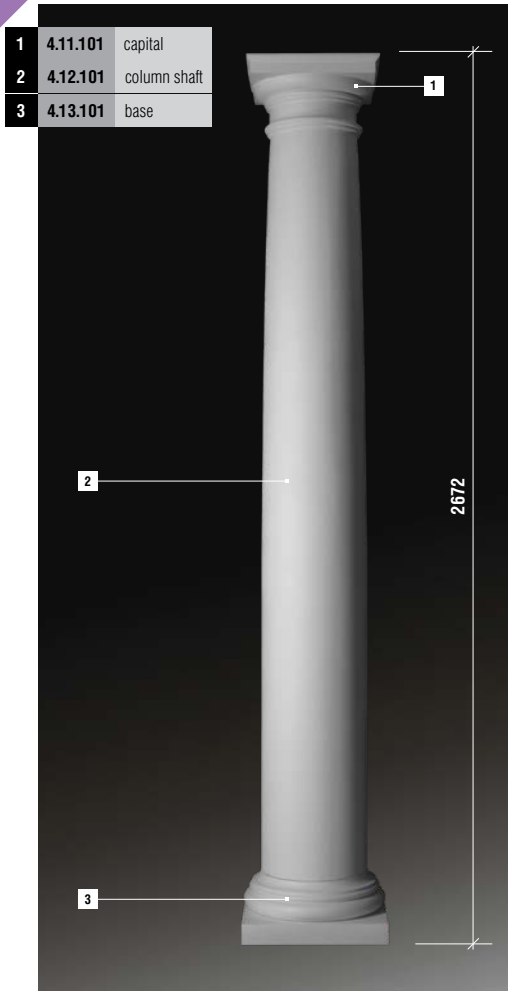
# columns



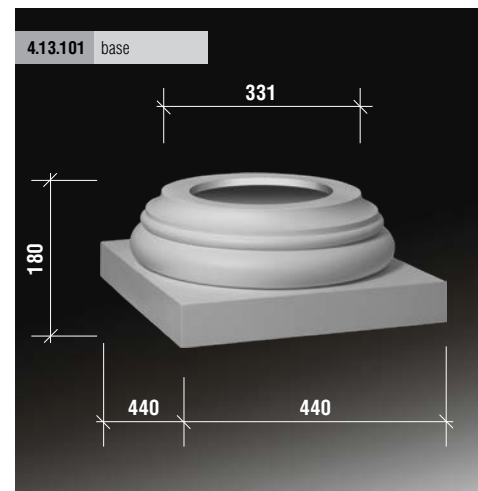
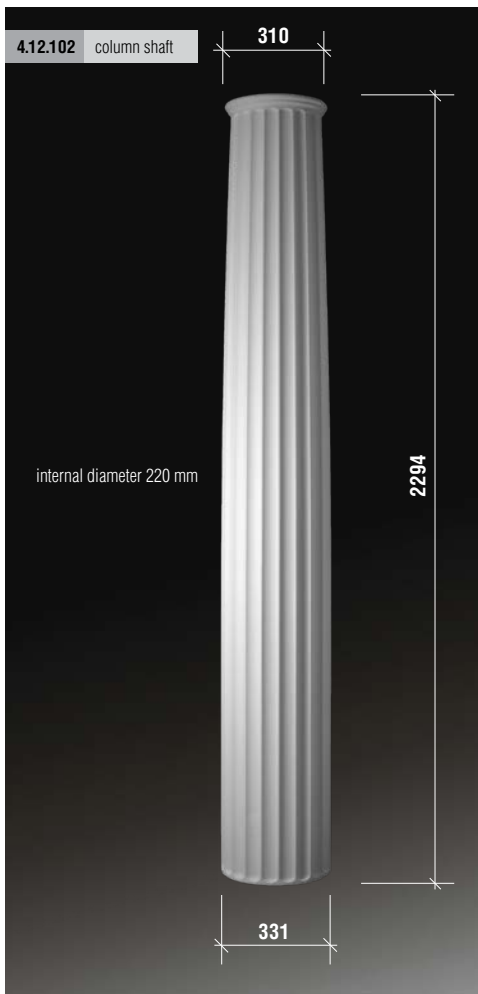
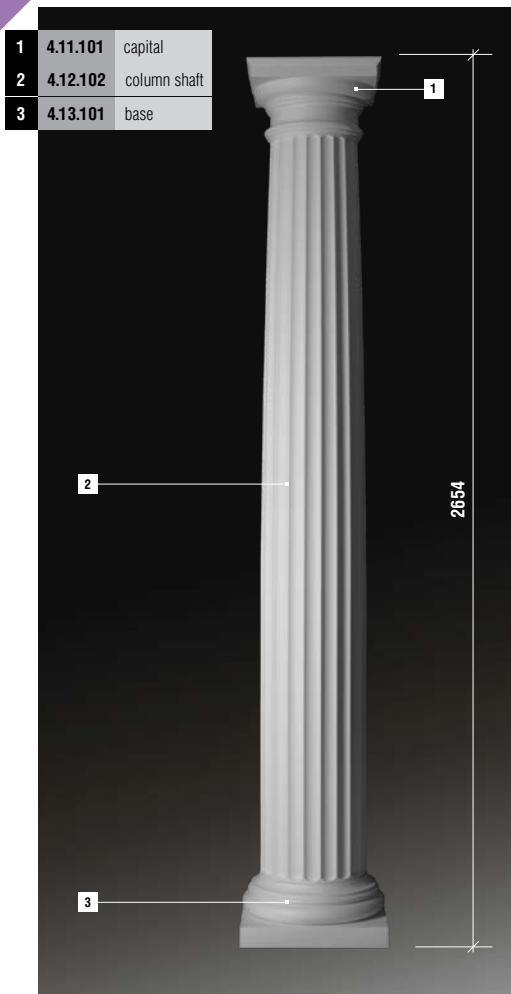
dimensions in millimeters



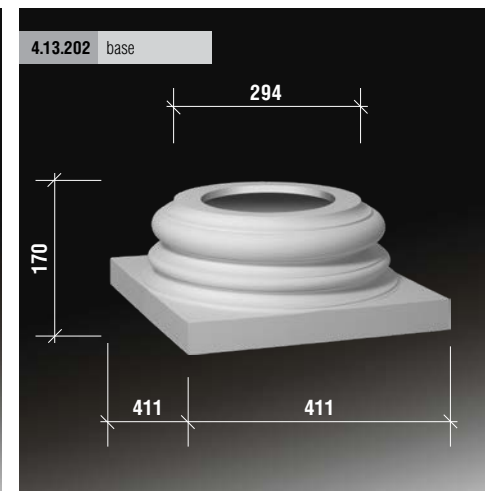
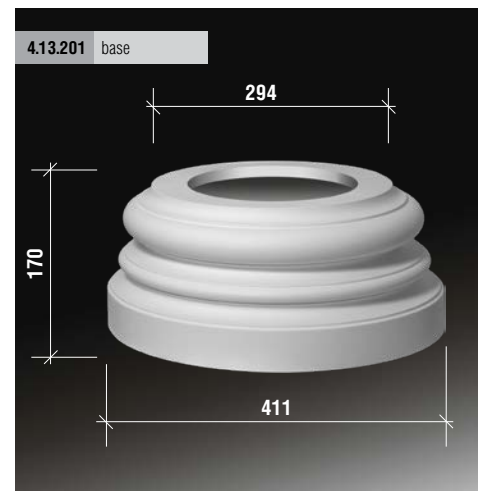
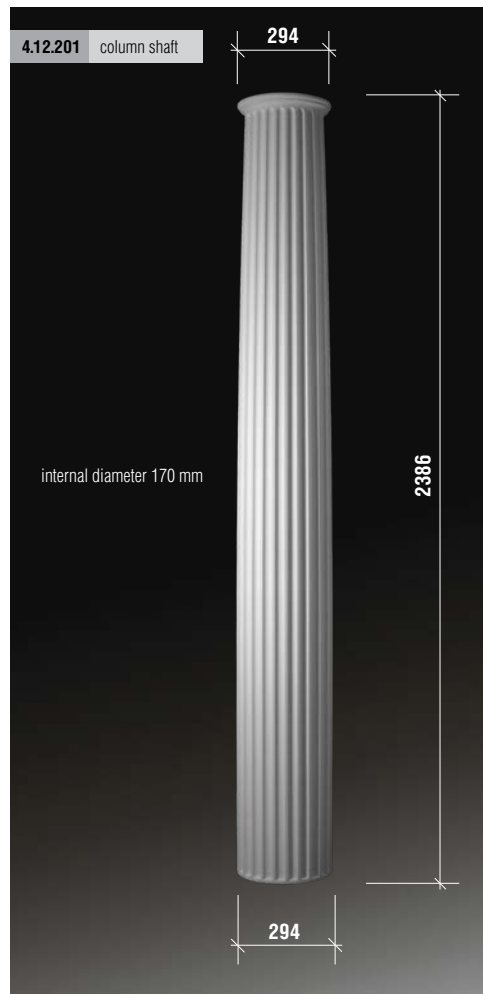
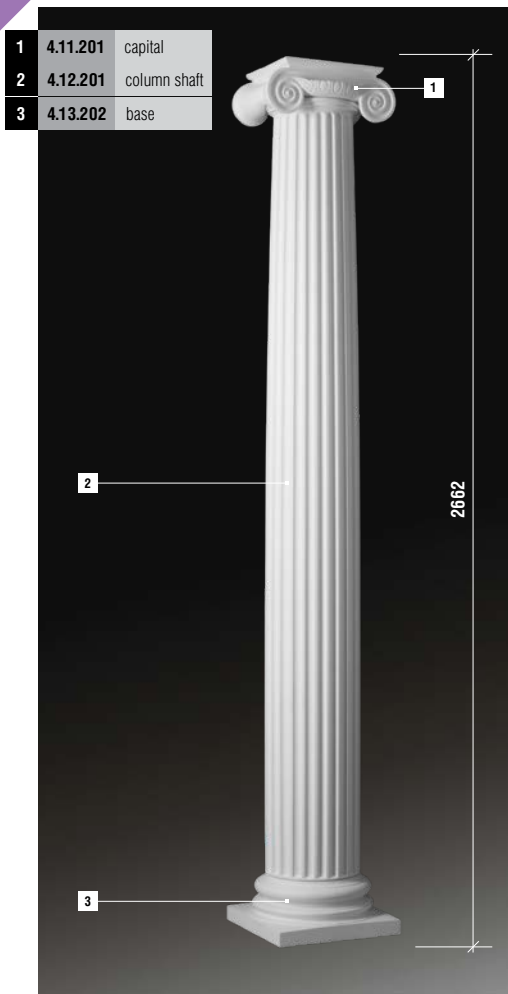


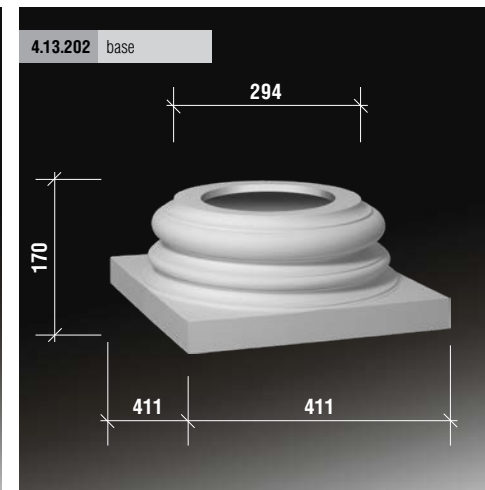
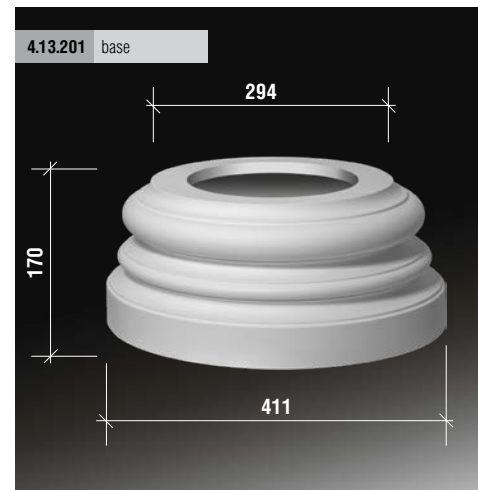
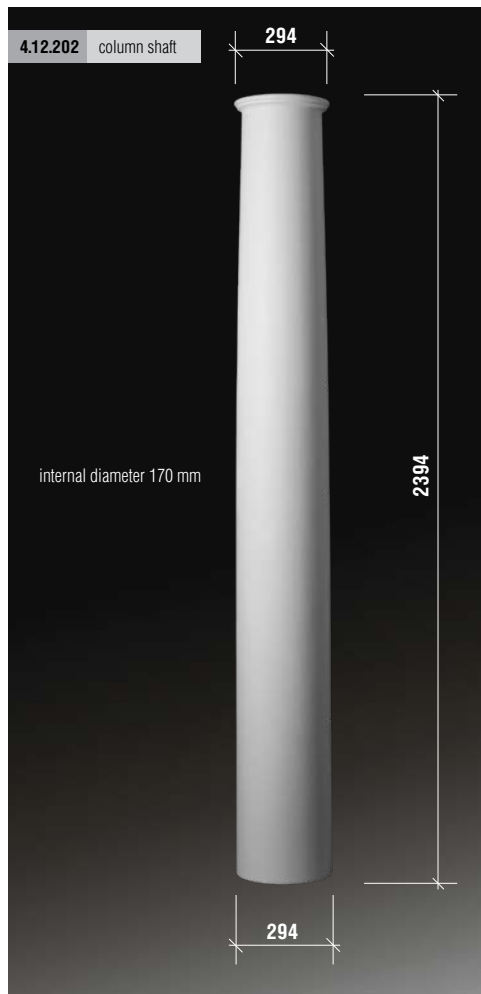
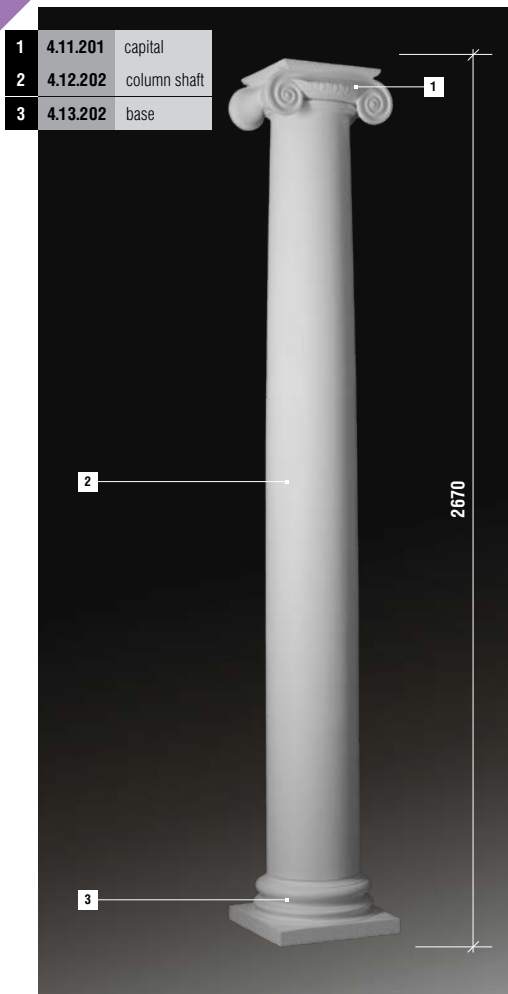


# columns

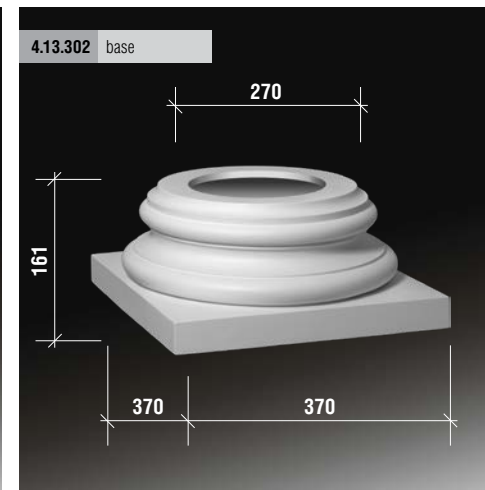
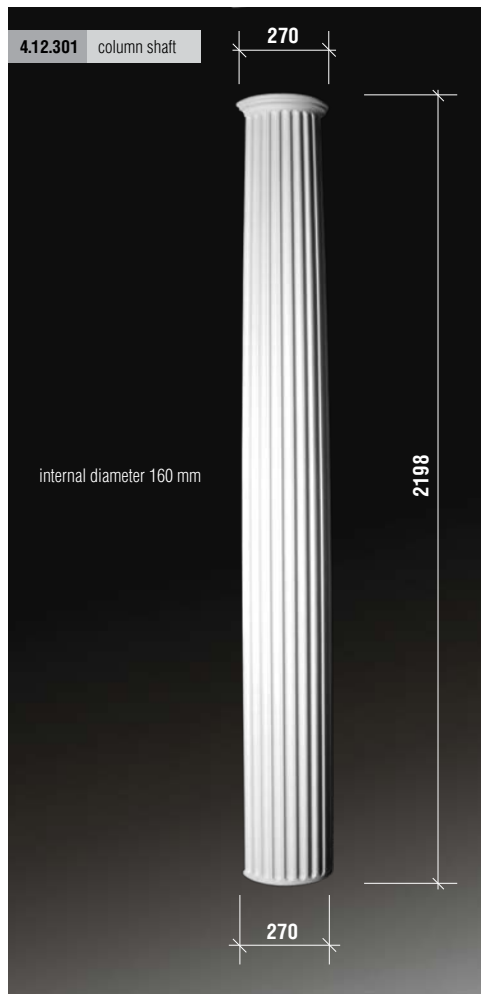
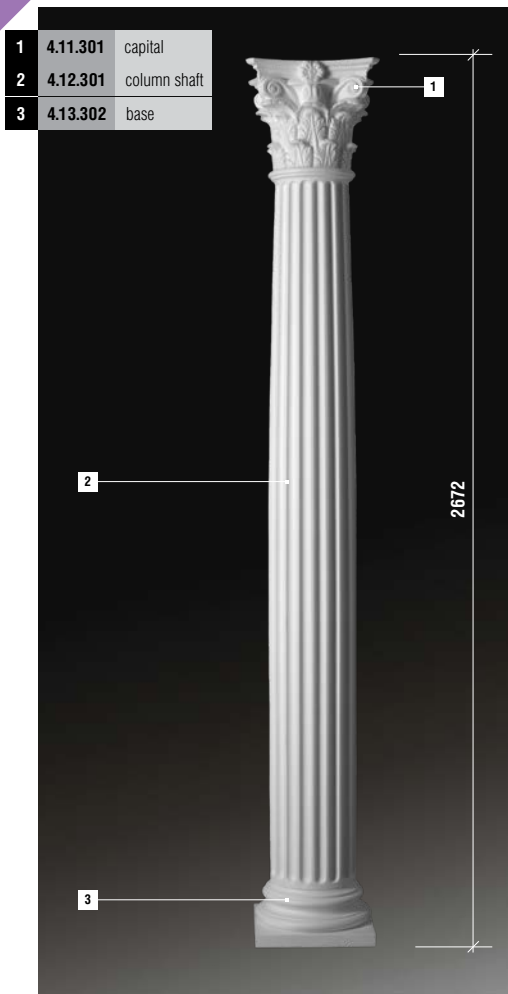


dimensions in millimeters

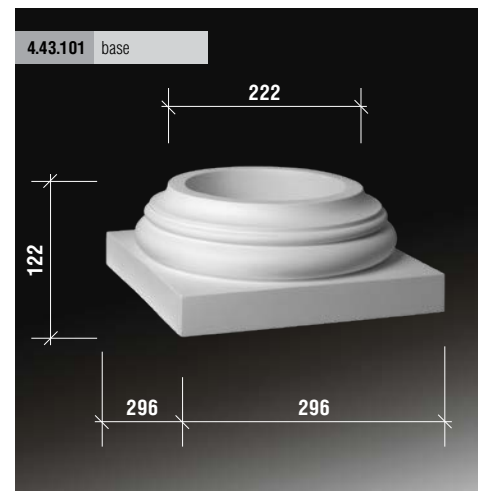
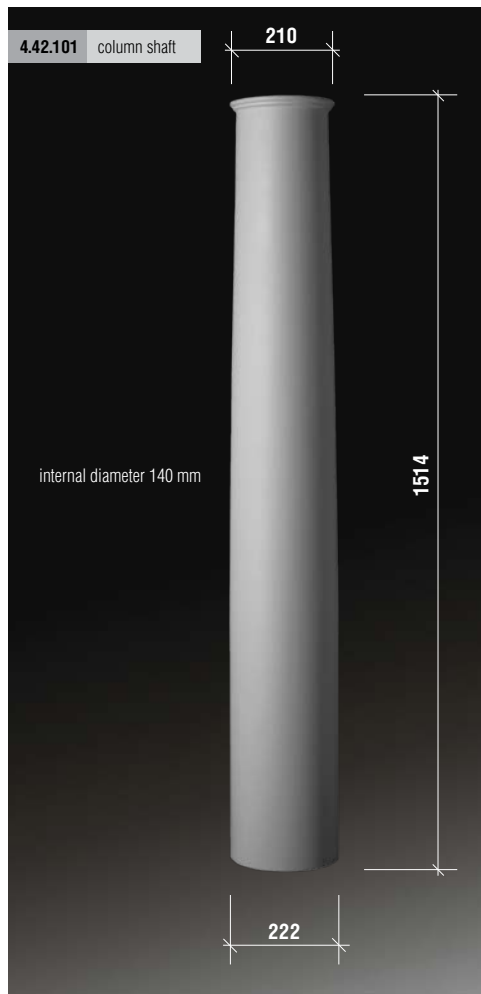
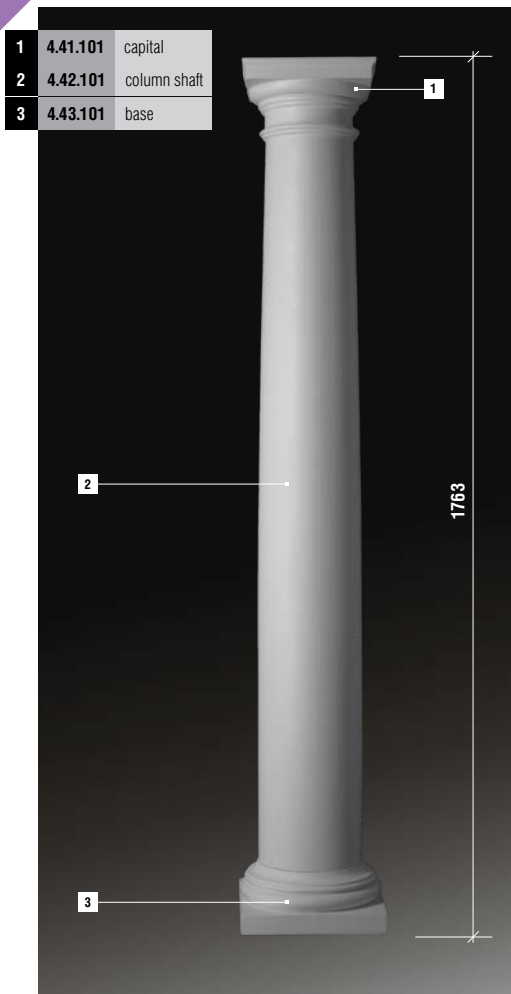








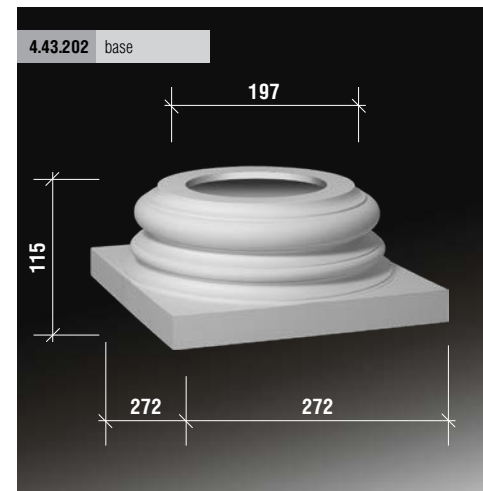
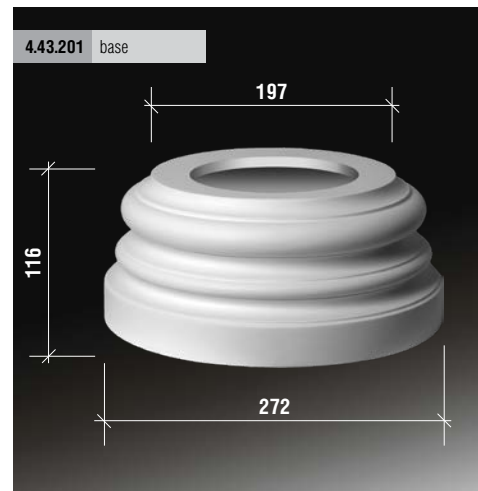
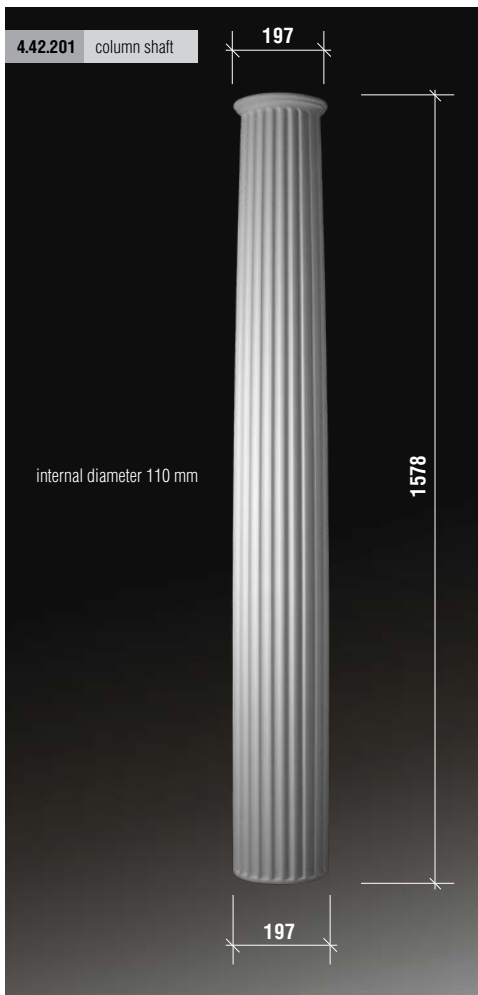
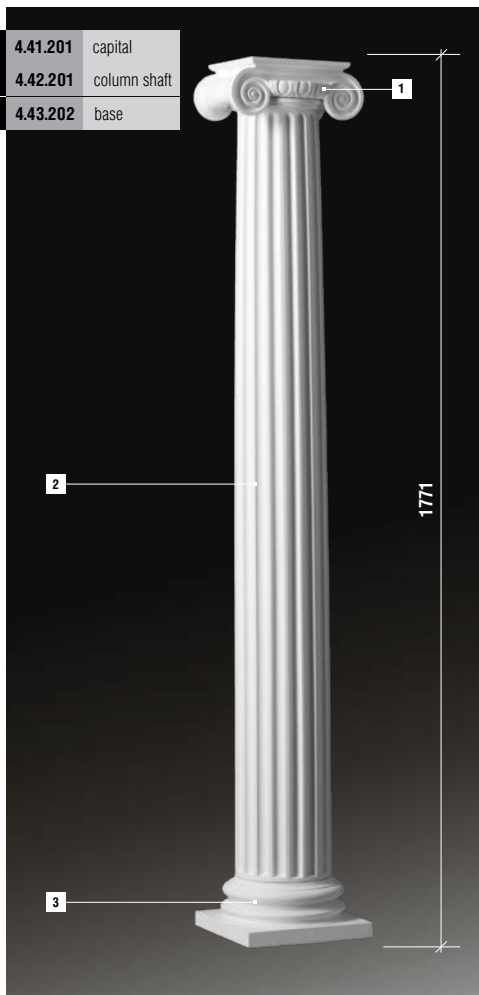
# columns



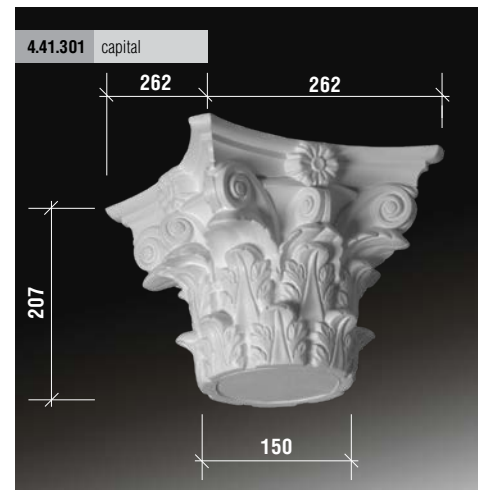
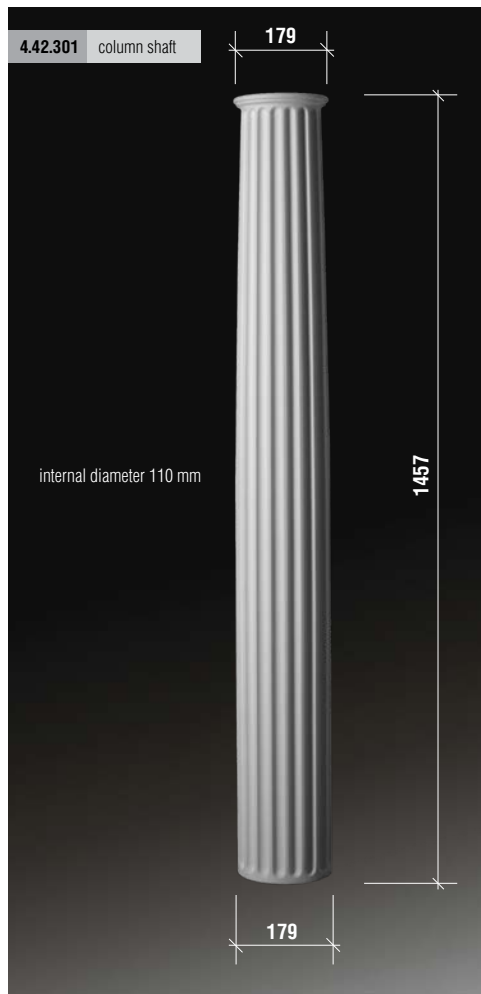
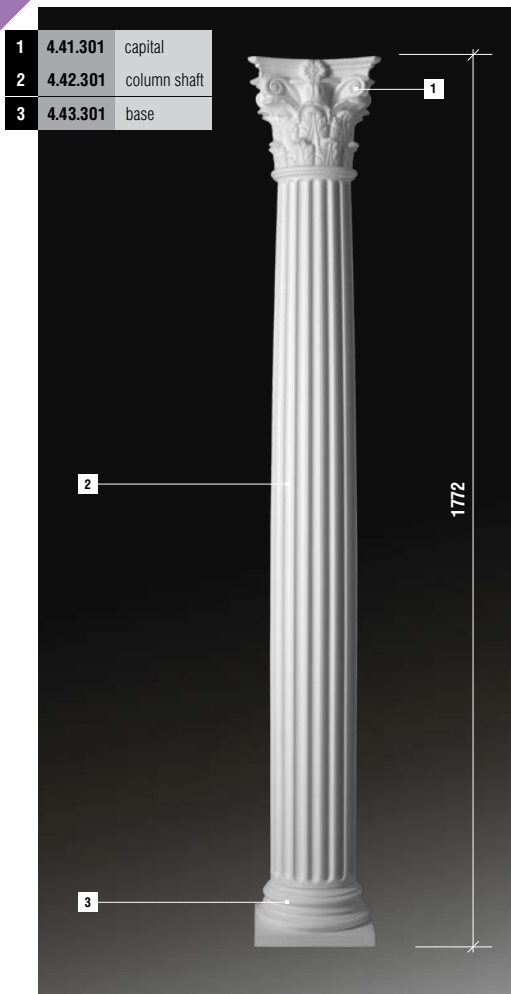
dimensions in millimeters

# columns

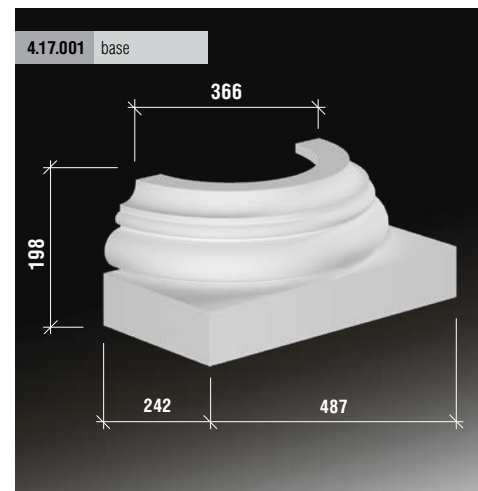
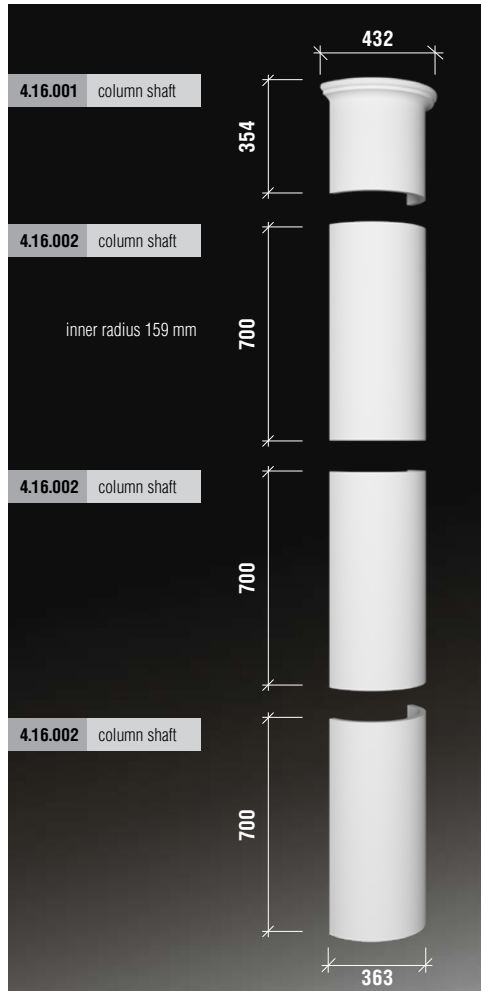
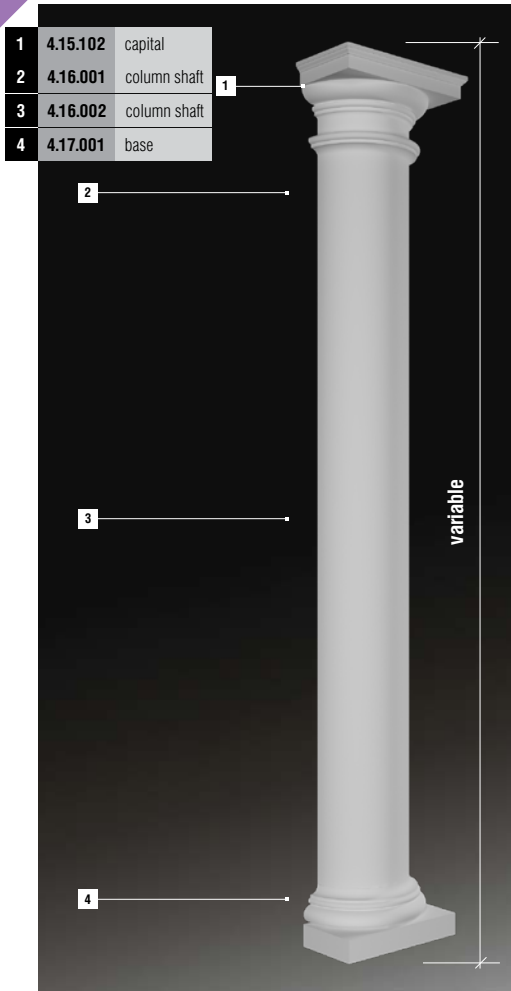
- 1 4.41.201 capital
- 2 4.42.201 column shaft
- 3 4.43.202 base



dimensions in millimeters

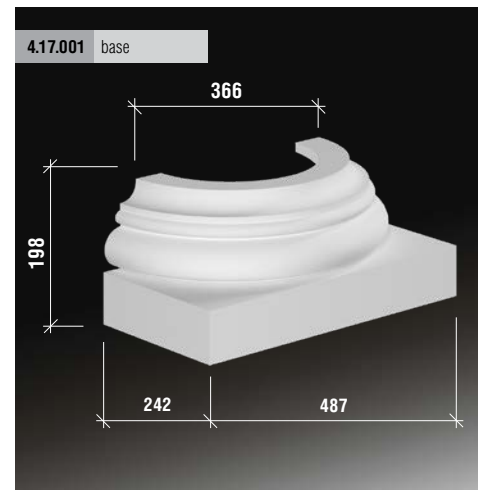
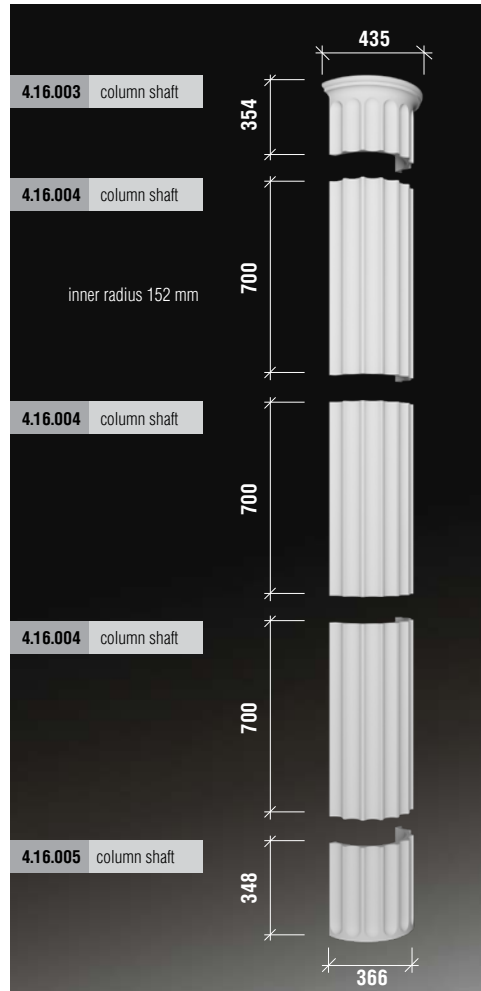
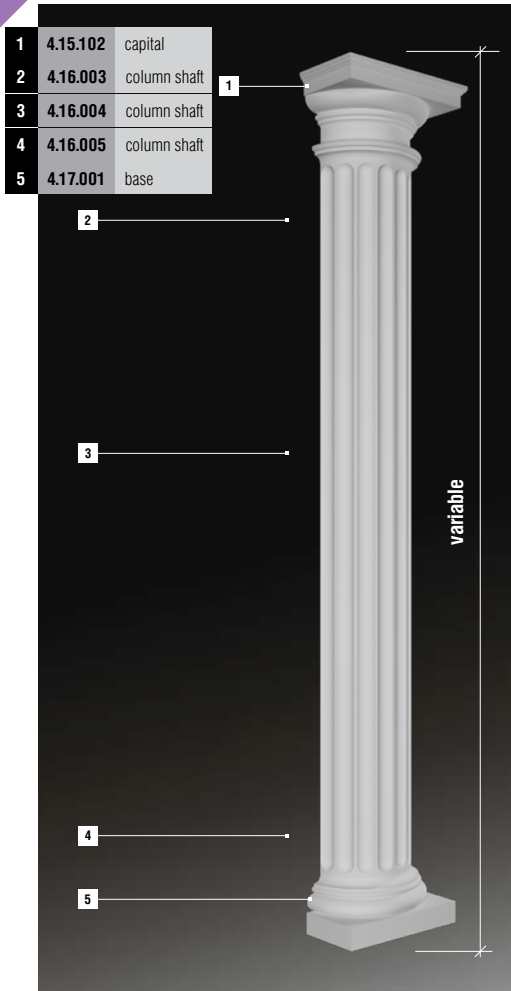


# half columns



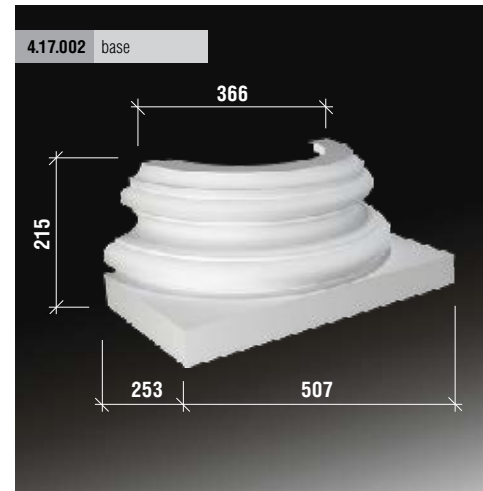
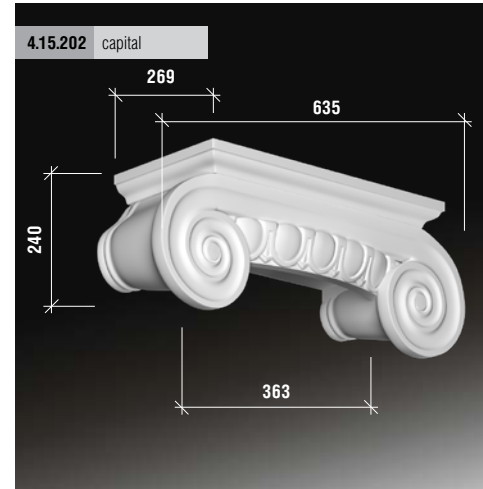
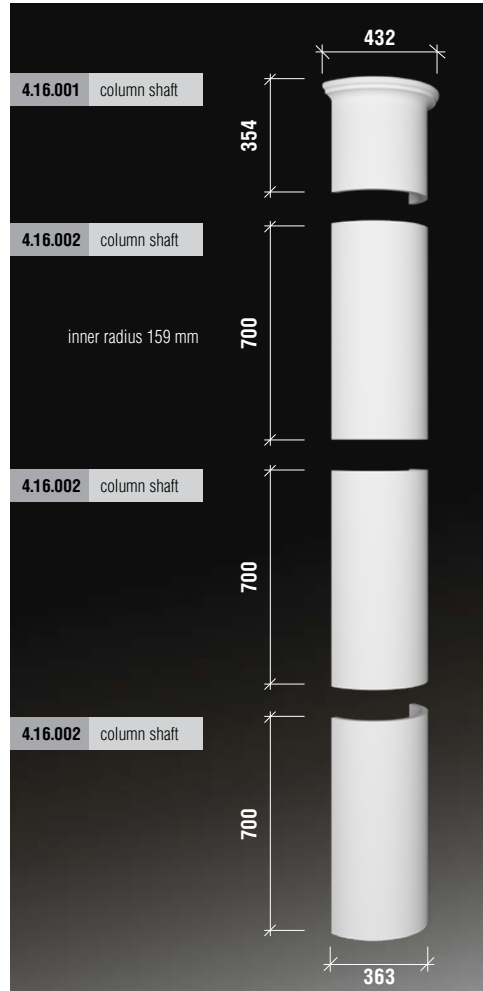
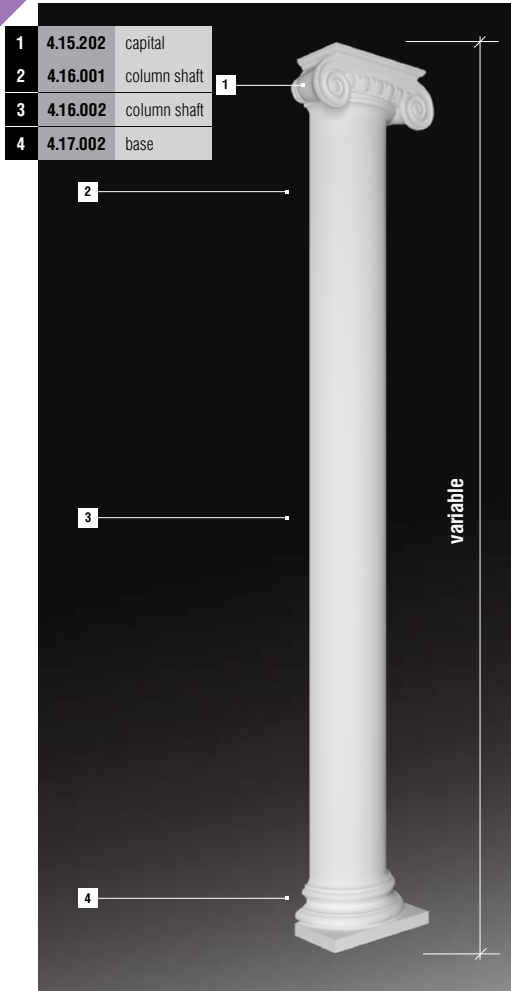
dimensions in millimeters

# half columns



dimensions in millimeters

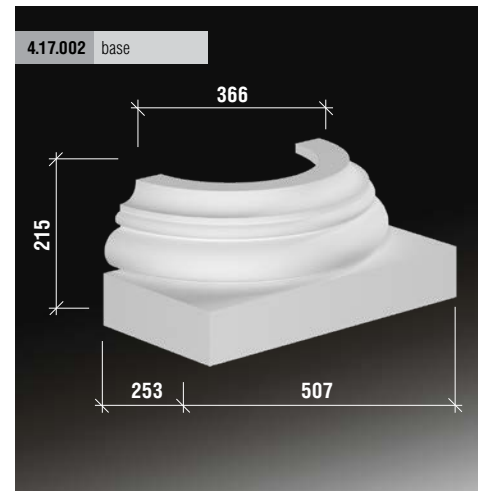
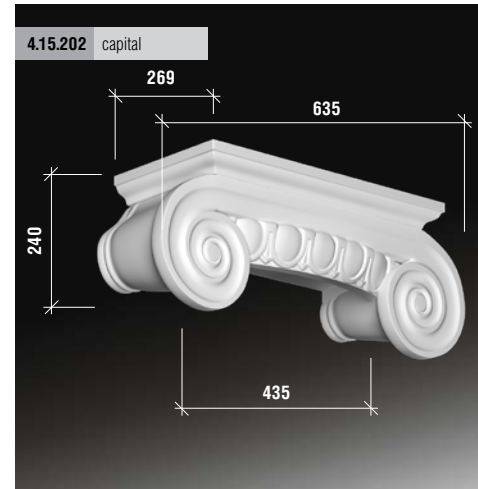
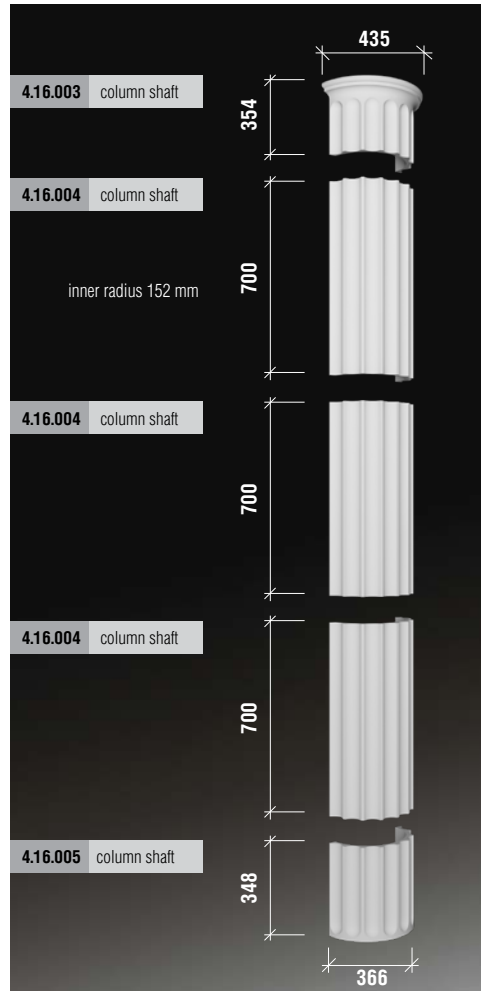
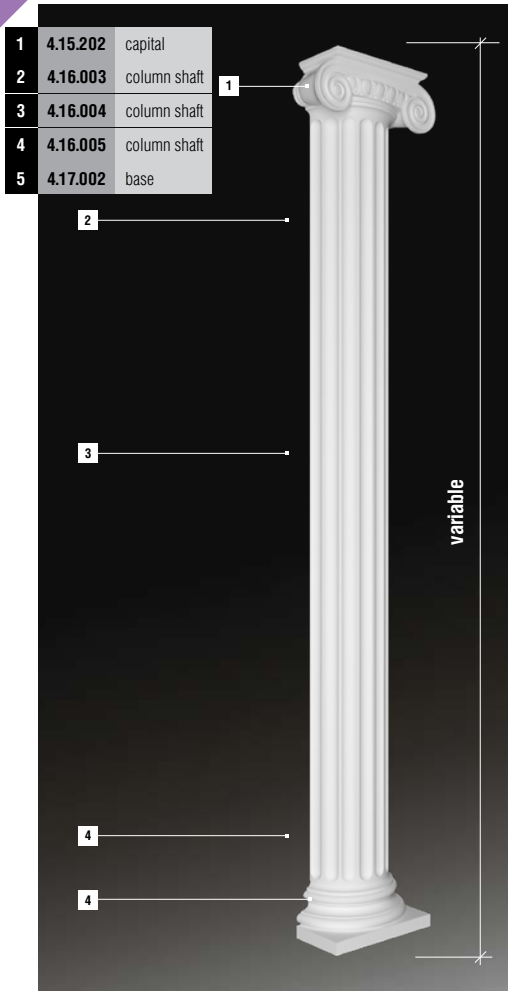
# half columns



dimensions in millimeters

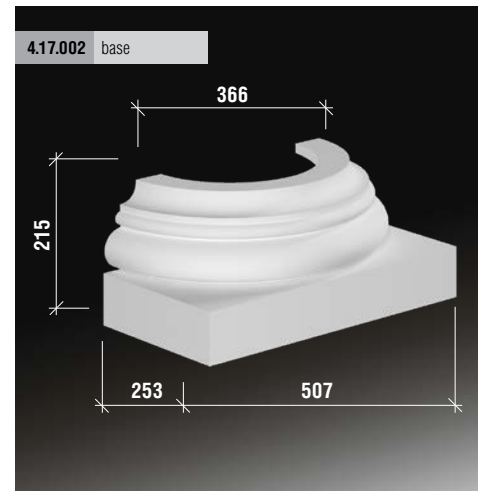
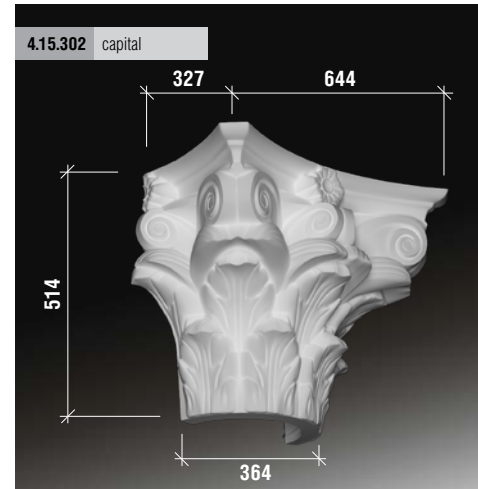
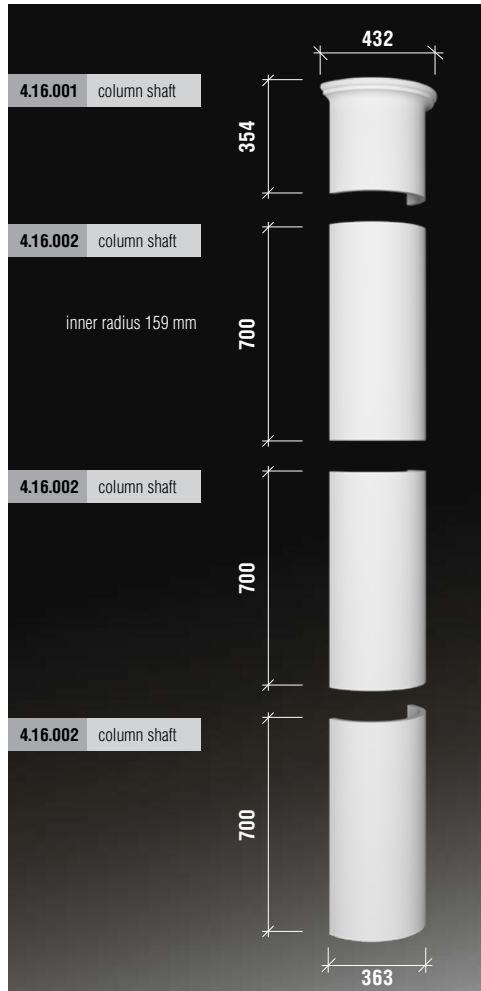
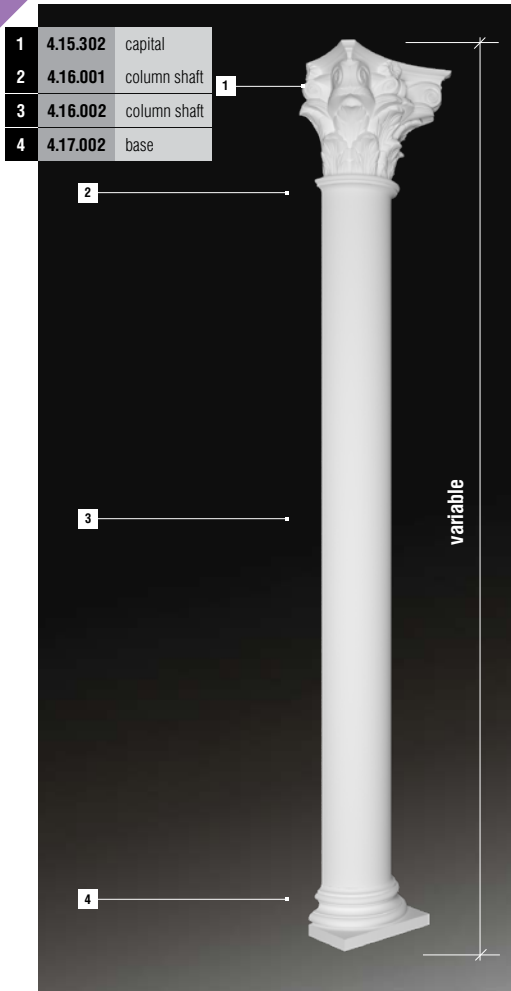


## half columns



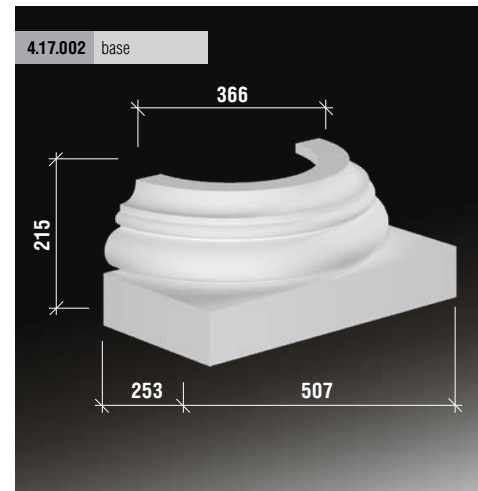
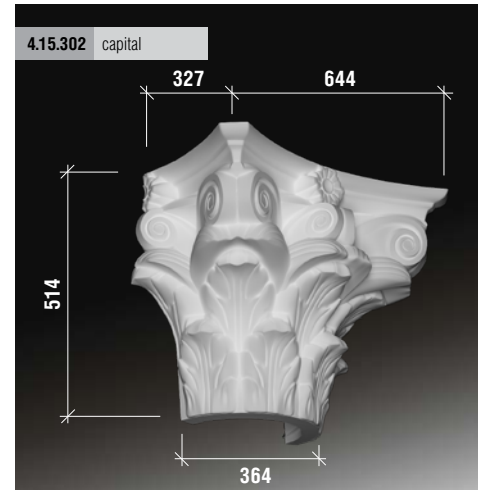
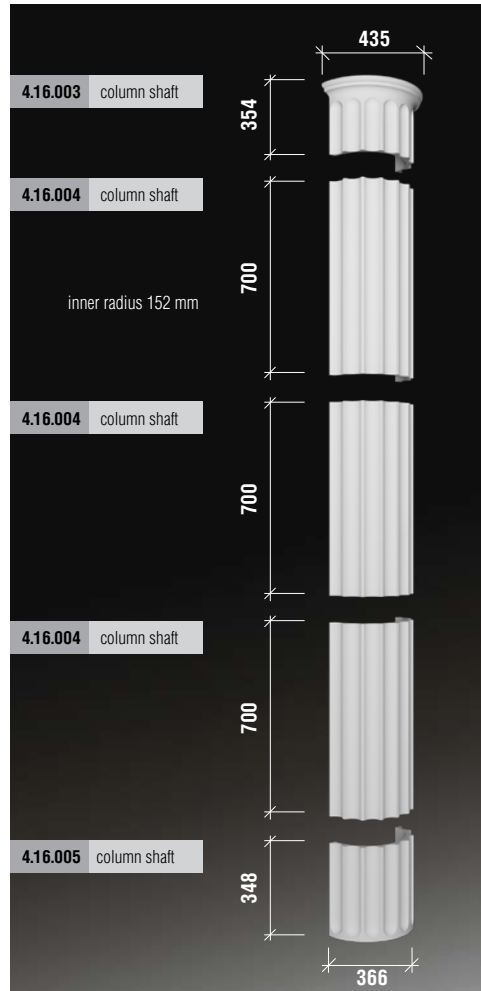
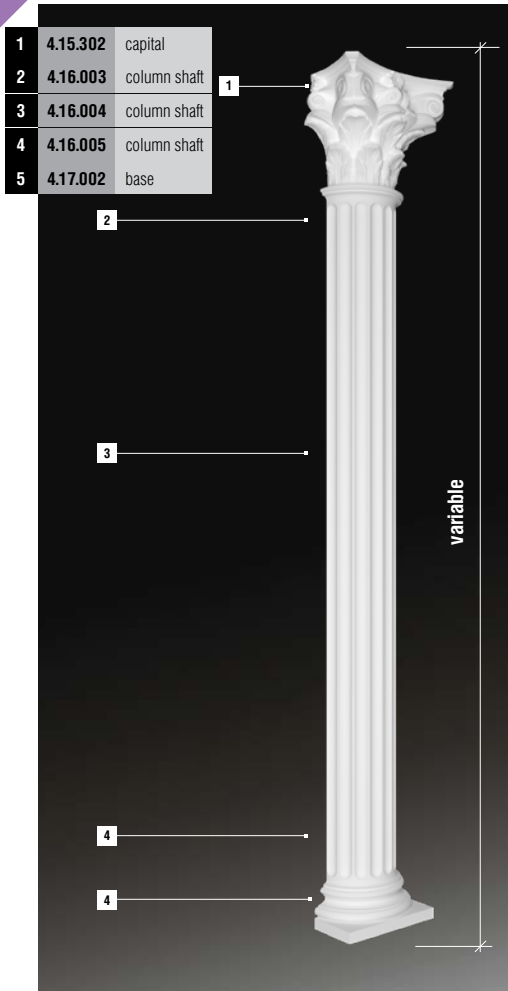
dimensions in millimeters

# half columns



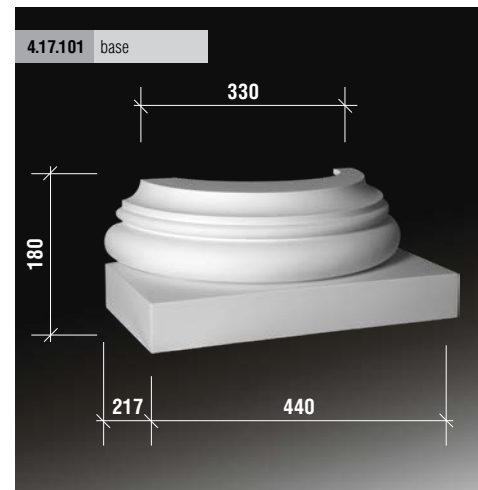
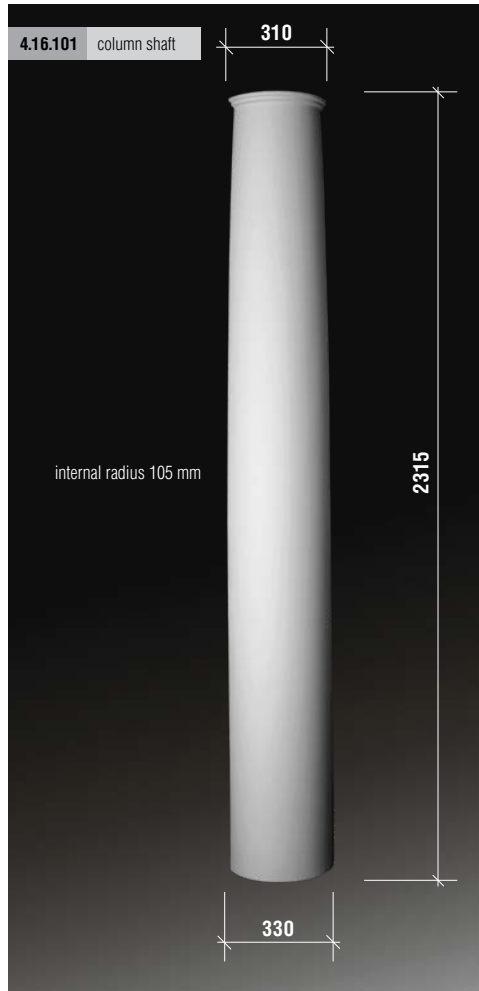
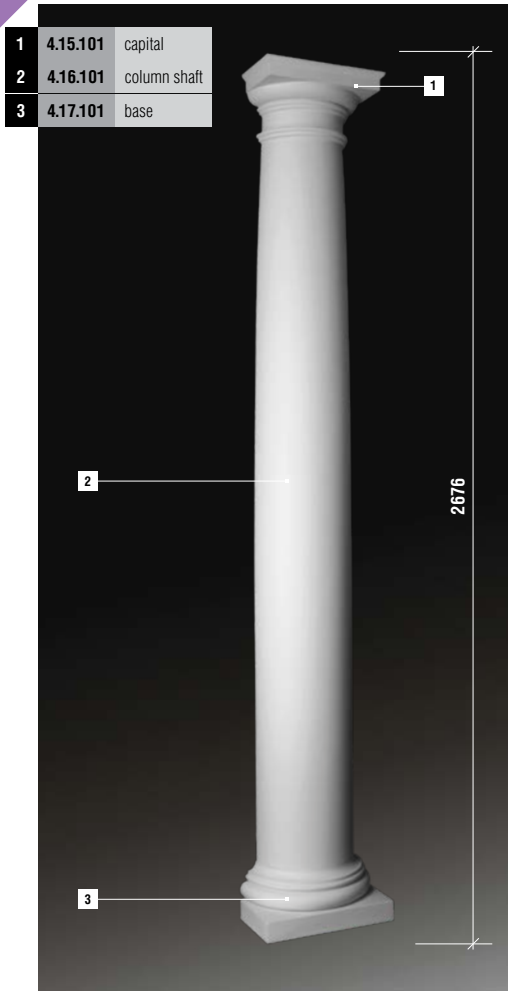
dimensions in millimeters

## half columns

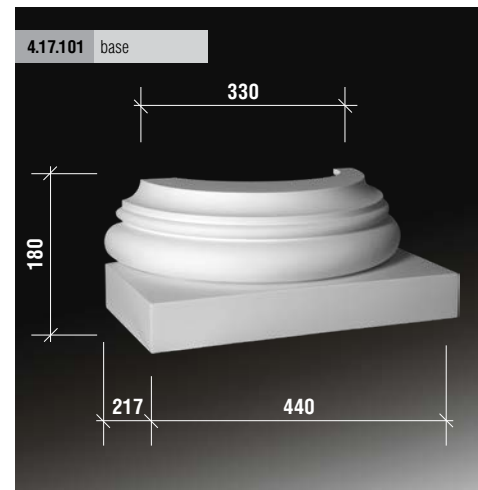
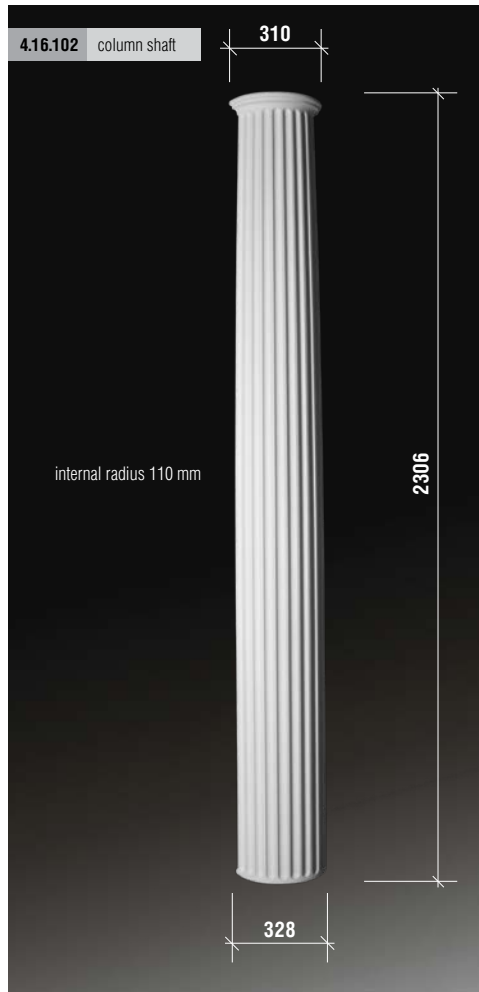
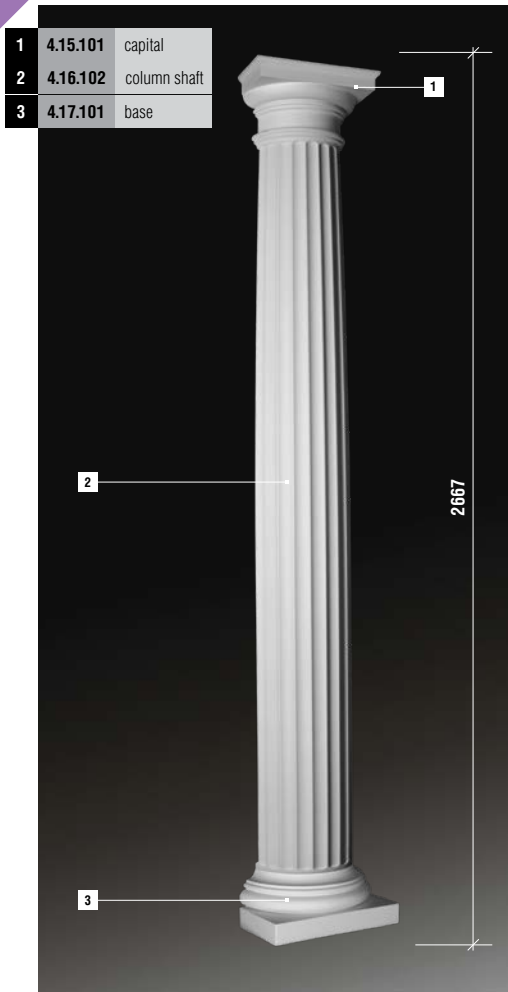


dimensions in millimeters

## half columns



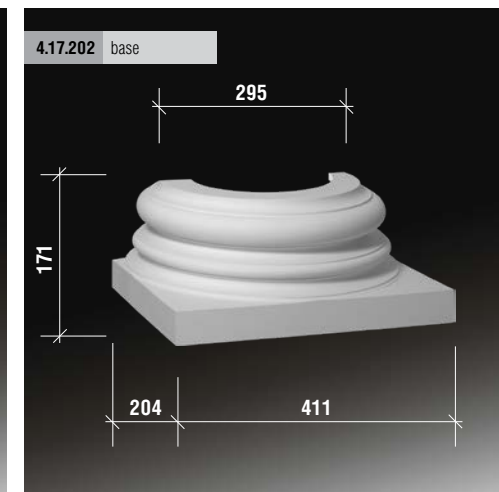
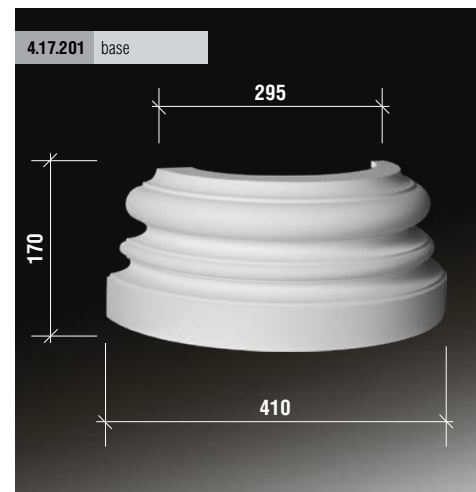
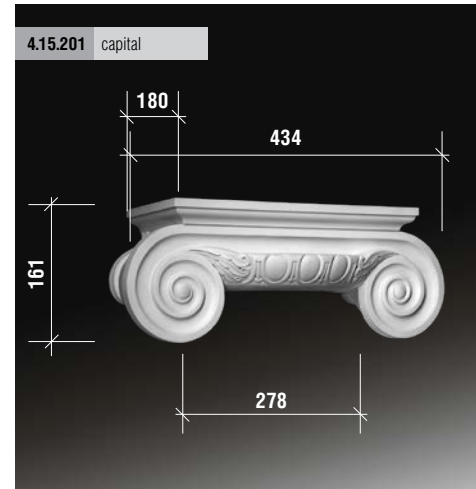
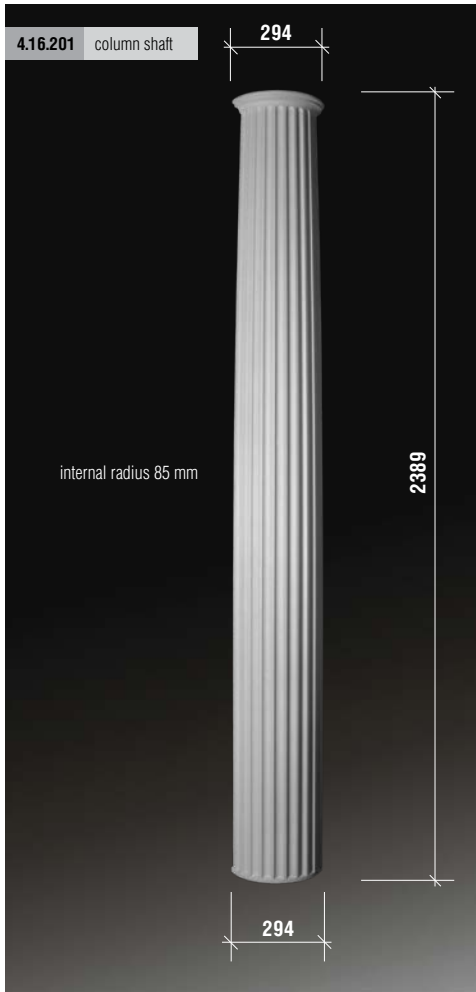
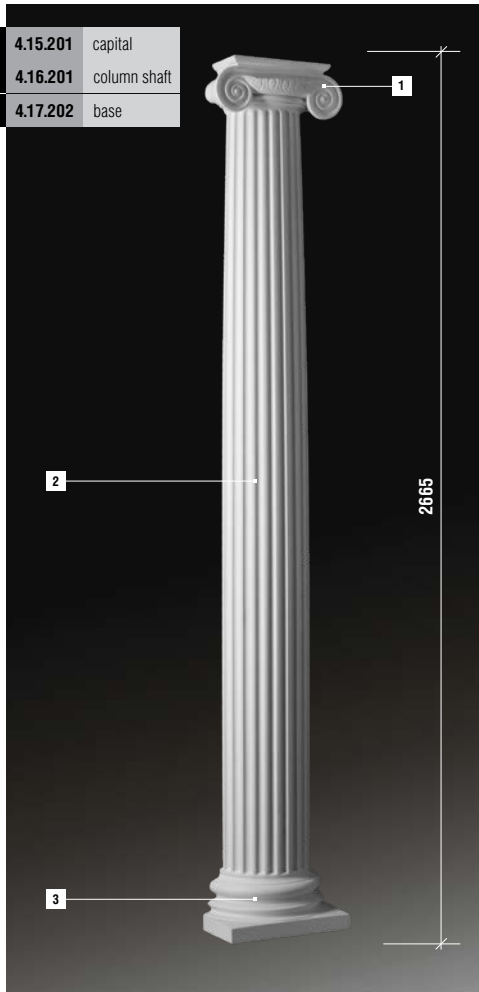
## half columns



dimensions in millimeters

## half columns

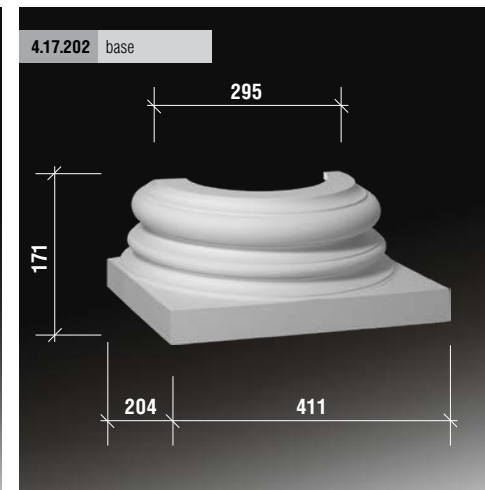
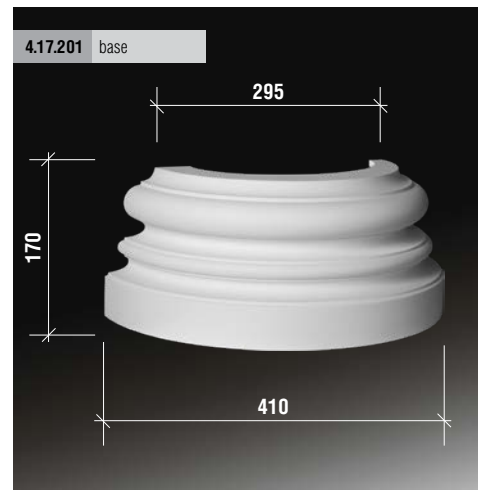
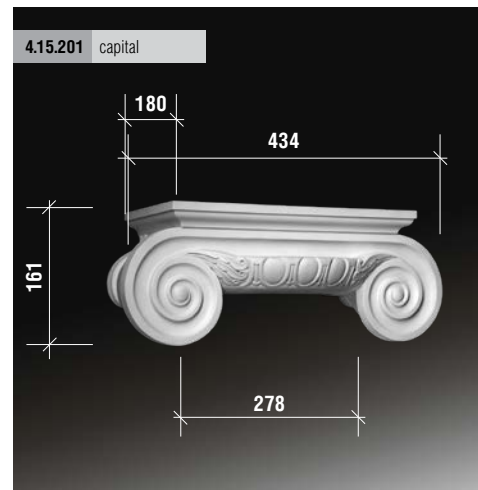
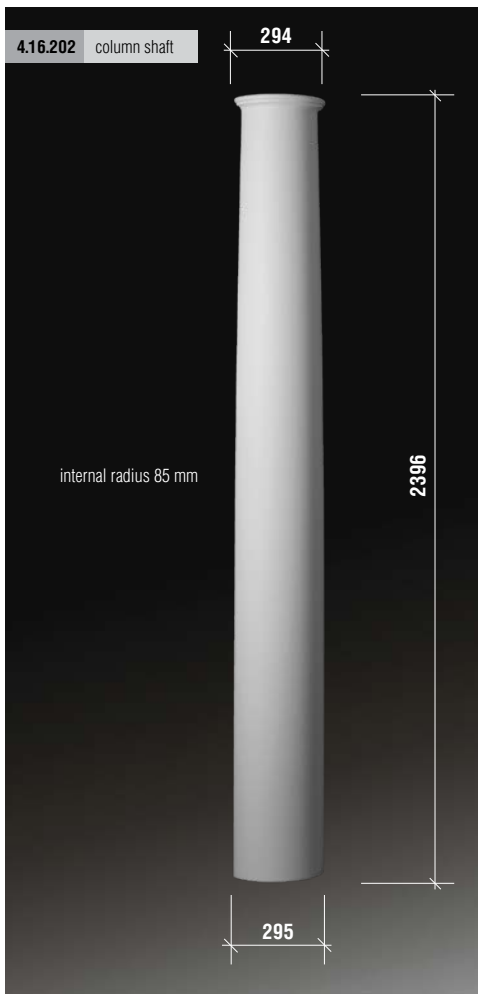
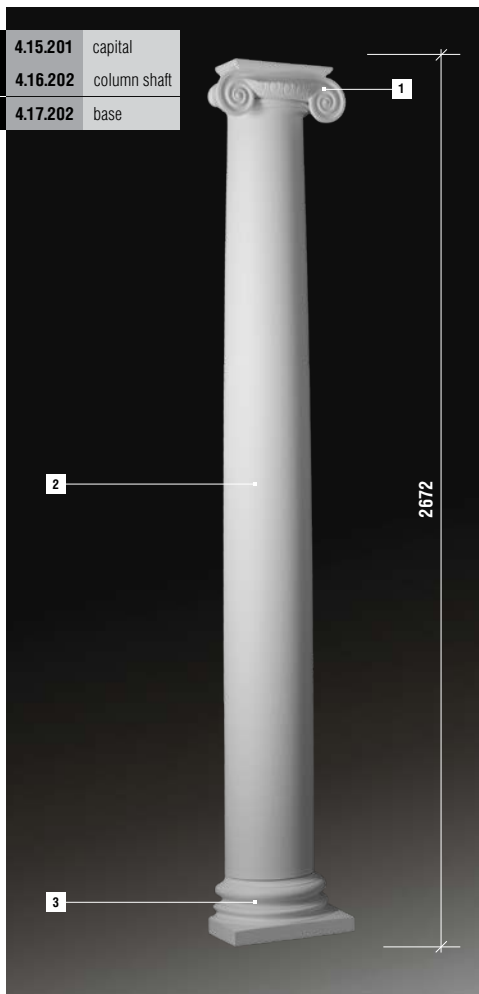
1	4.15.201	capital
2	4.16.201	column shaft
3	4.17.202	base



dimensions in millimeters

## half columns

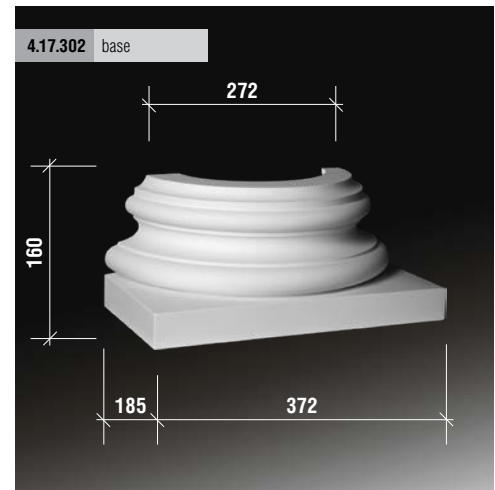
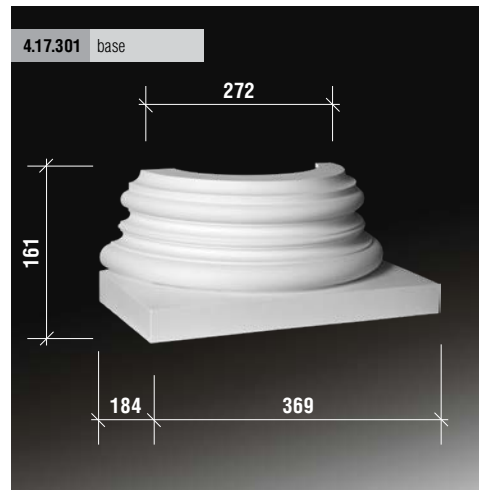
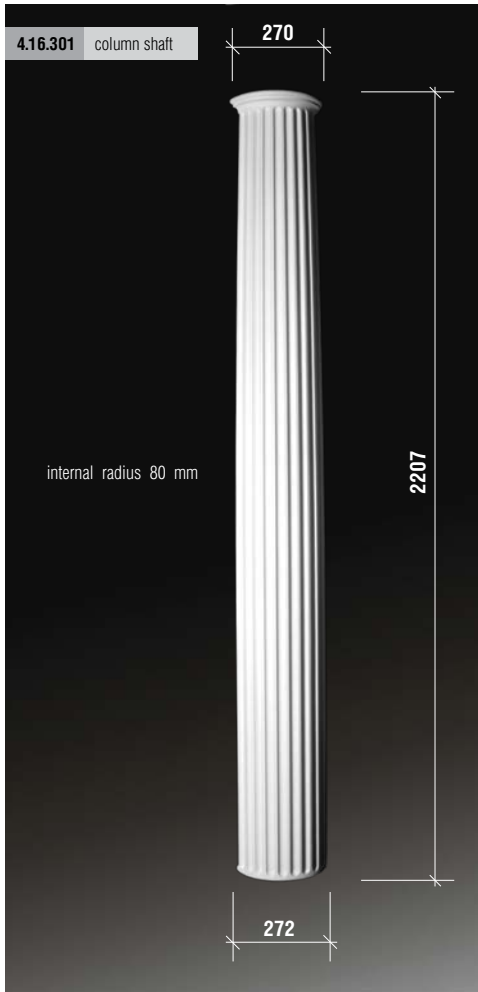
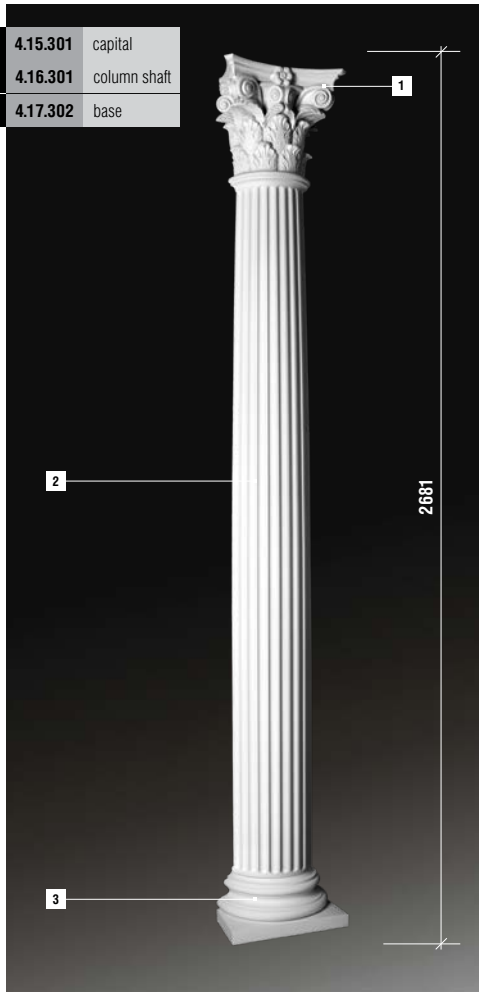
1	4.15.201	capital
2	4.16.202	column shaft
3	4.17.202	base



dimensions in millimeters

## half columns

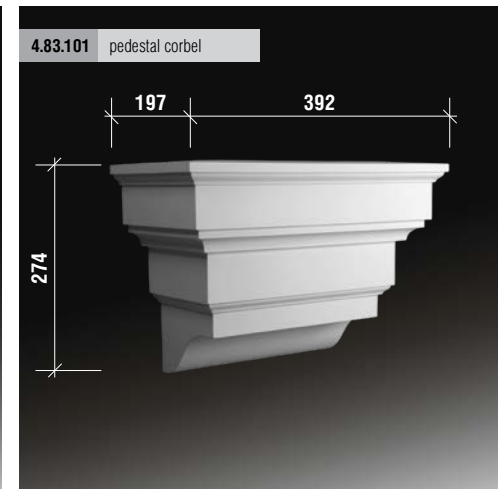
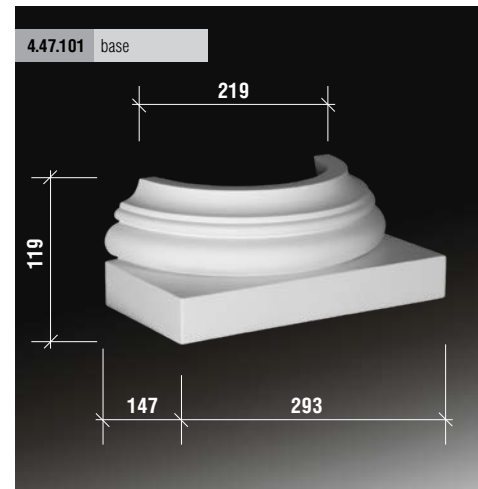
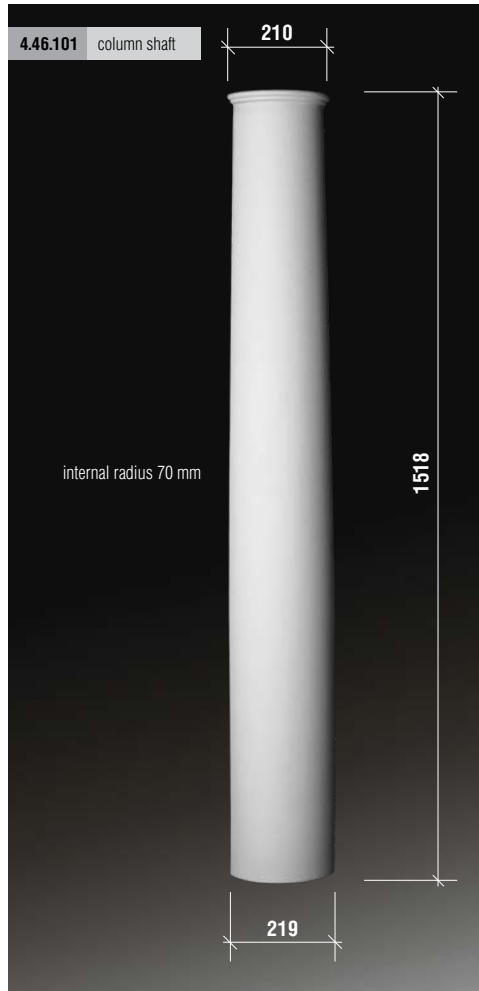
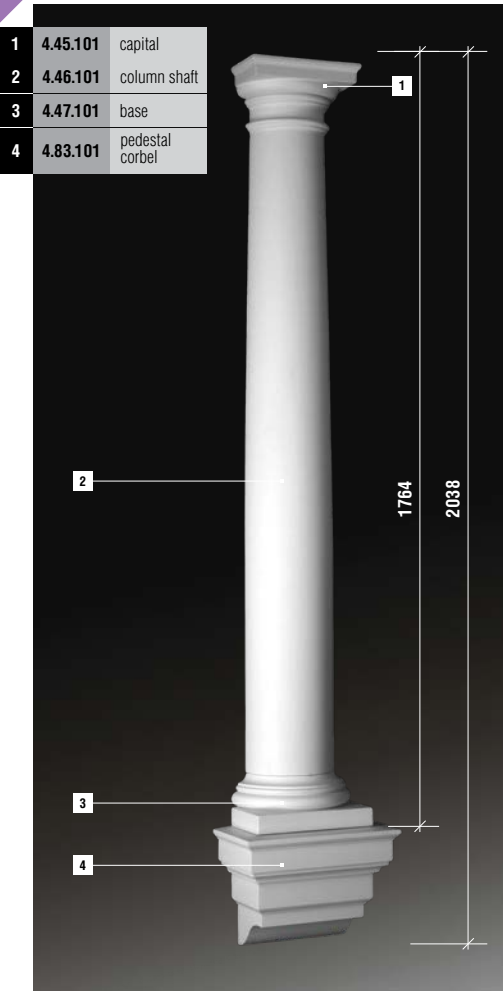
- |   |          |              |
|---|----------|--------------|
| 1 | 4.15.301 | capital      |
| 2 | 4.16.301 | column shaft |
| 3 | 4.17.302 | base         |



dimensions in millimeters



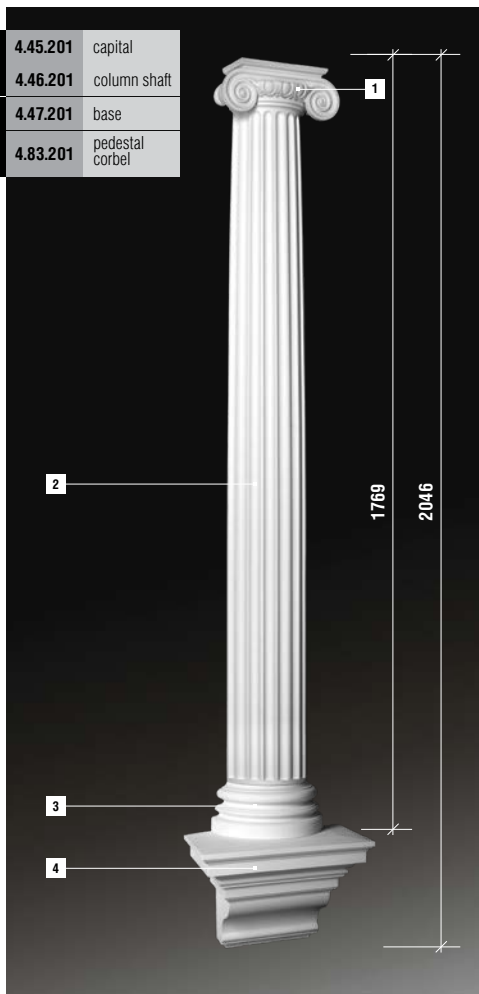
## half columns



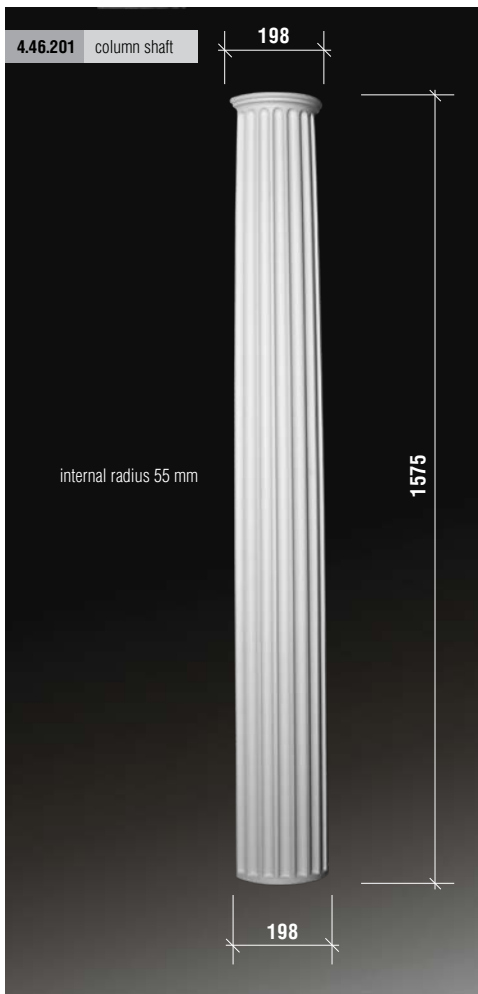
dimensions in millimeters

## half columns

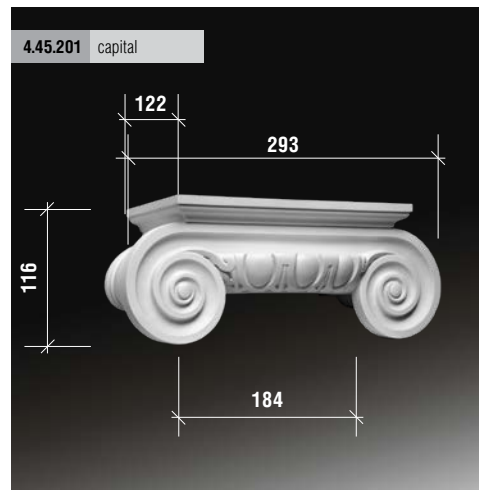
1	4.45.201	capital
2	4.46.201	column shaft
3	4.47.201	base
4	4.83.201	pedestal corbel



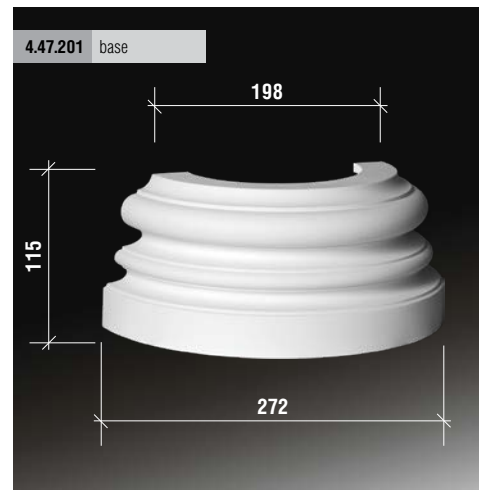
4.46.201	column shaft
----------	--------------



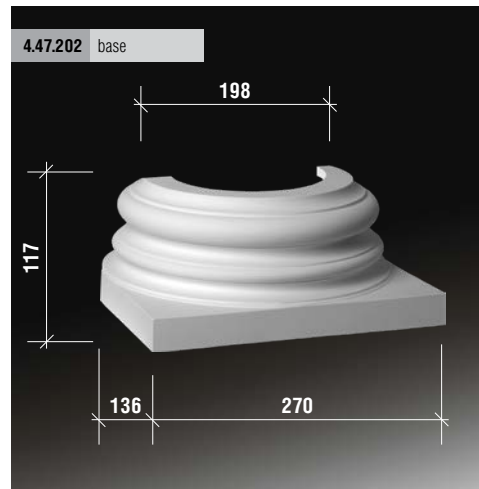
4.45.201	capital
----------	---------



4.47.201	base
----------	------



4.47.202	base
----------	------

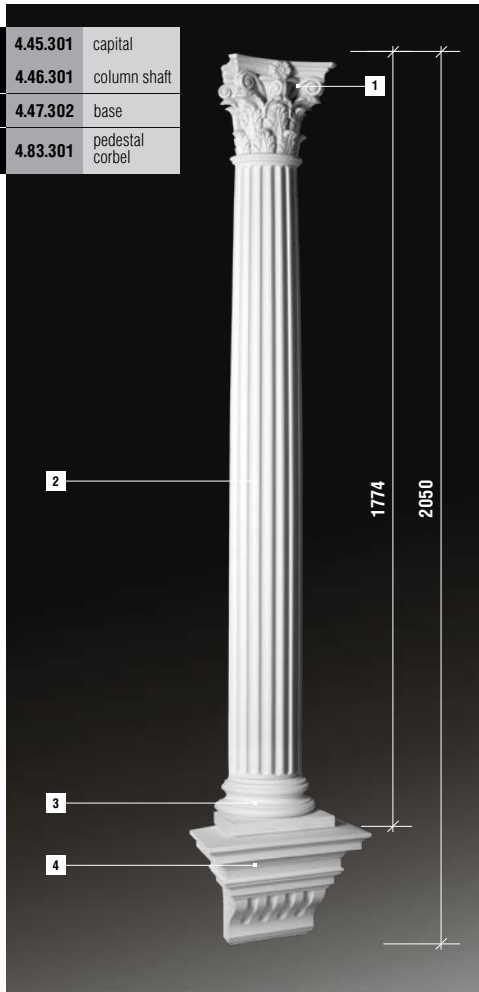


4.83.201	pedestal corbel
----------	-----------------

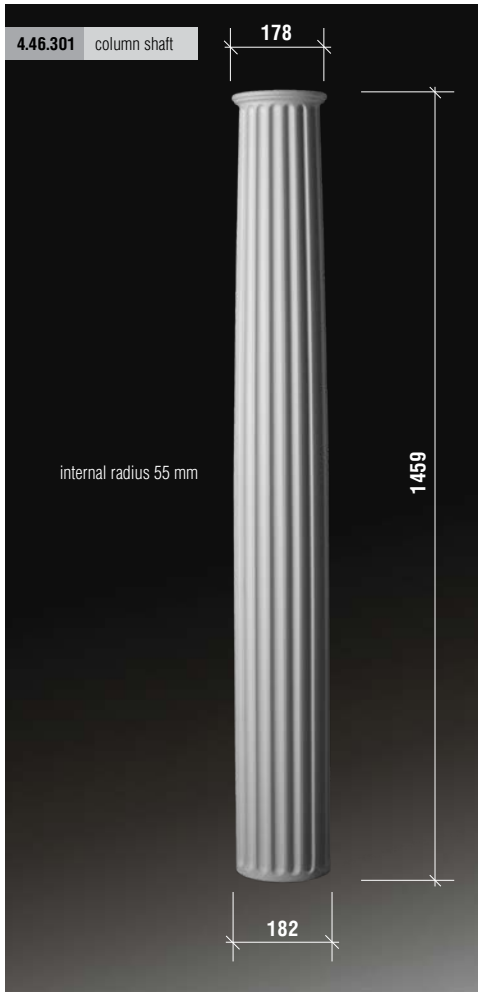


## half columns

1	4.45.301	capital
2	4.46.301	column shaft
3	4.47.302	base
4	4.83.301	pedestal corbel



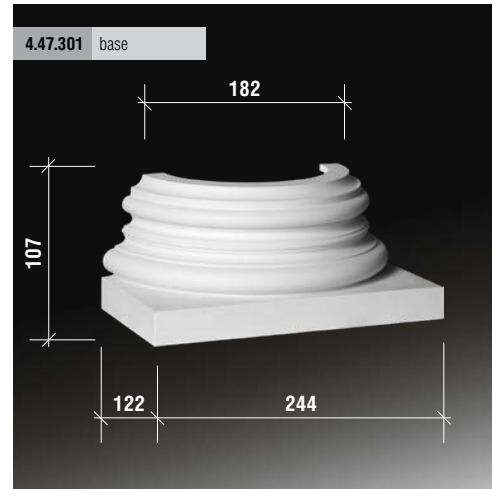
4.46.301	column shaft
----------	--------------



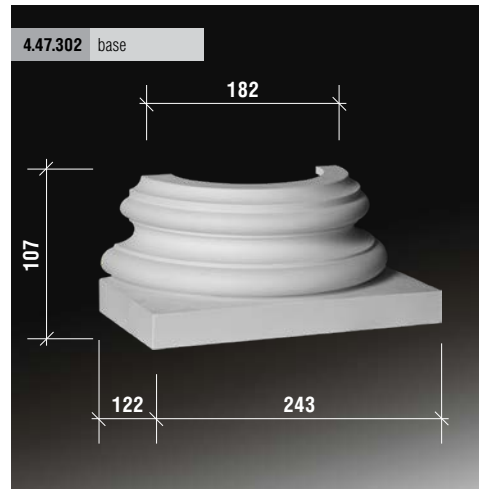
4.45.301	capital
----------	---------



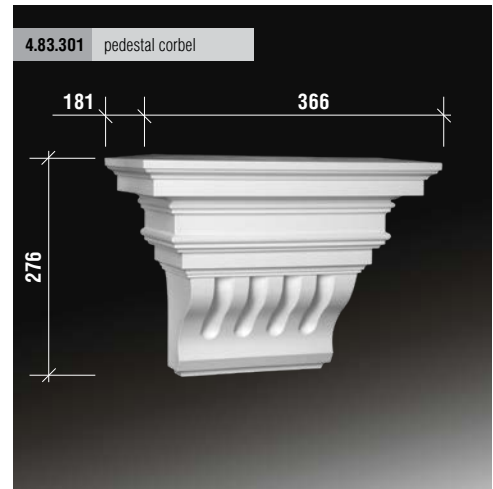
4.47.301	base
----------	------



4.47.302	base
----------	------



4.83.301	pedestal corbel
----------	-----------------



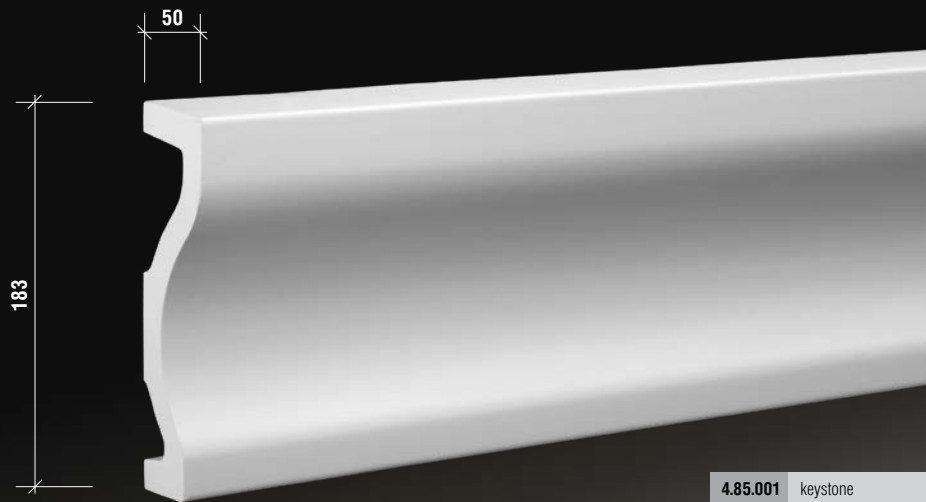
## **window frames**

---

platbands	156
arch frames	162
keystones	165
window jambs	170
window ledges	171
corbels	180
pediment	182

# platbands

4.84.001	platband	platband length 2 meters
4.84.051	platband	platband length 2,3 meters



keystone depth 65 mm

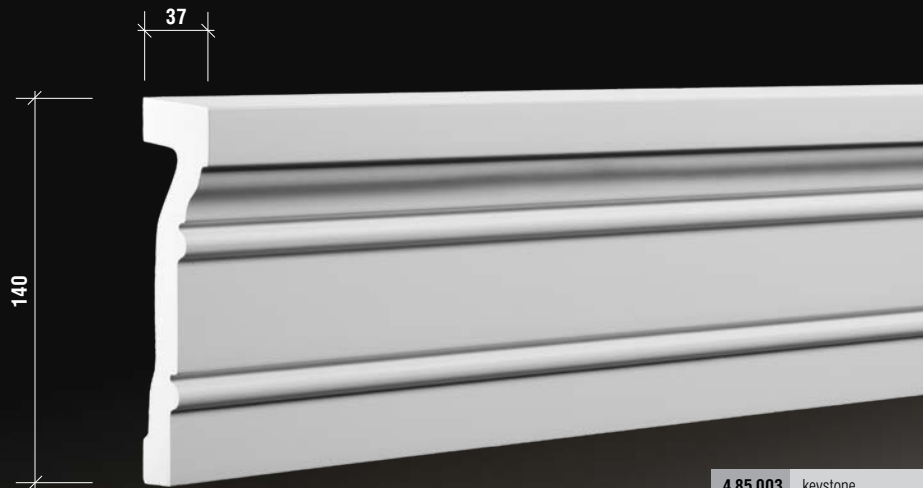
dimensions in millimeters

4.84.002	platband	platband length 2,3 meters
4.84.052	platband	platband length 2 meters



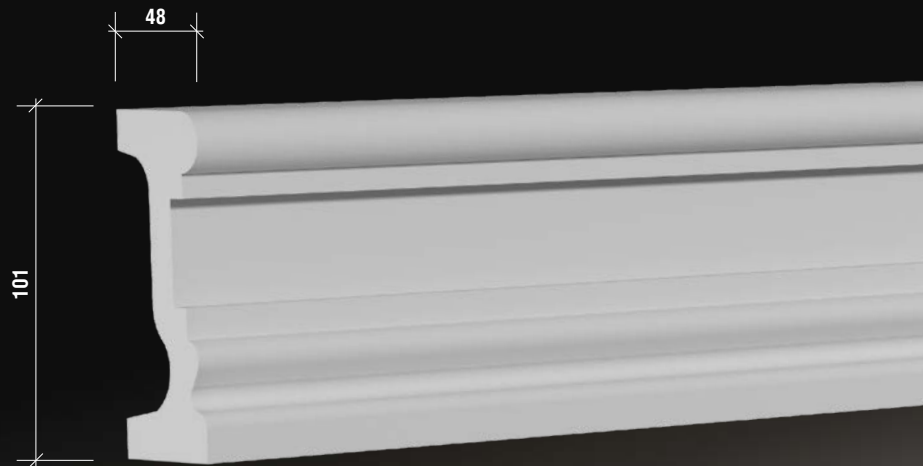
# platbands

4.84.003	platband	platband length 2,3 meters
4.84.053	platband	platband length 2 meters



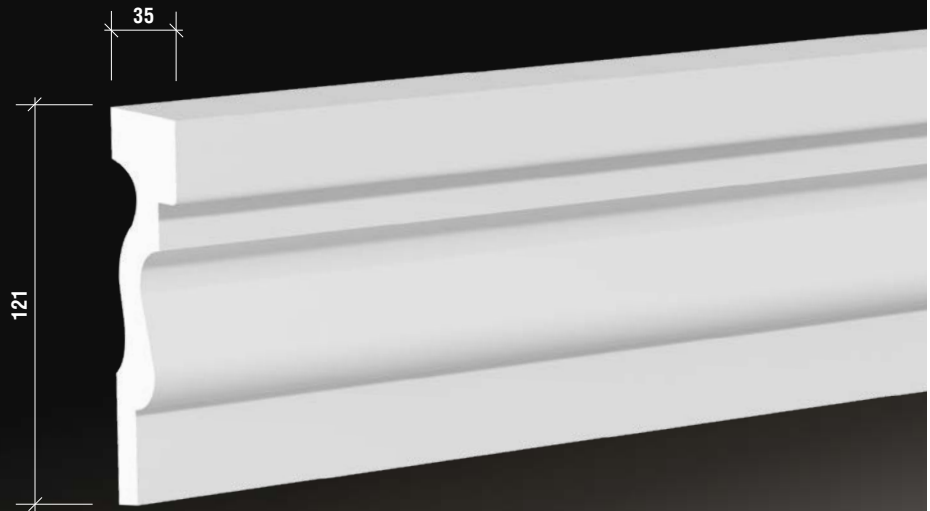
dimensions in millimeters

4.84.004	platband	platband length 2 meters
----------	----------	--------------------------



4.84.005 platband platband length 2 meters

4.84.006 platband platband length 2 meters

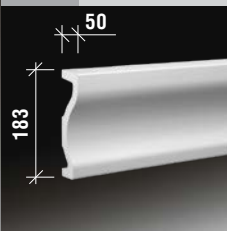


4.87.031 arch frame

4.87.031 FLEX flexible arch frame variable radius R600-900

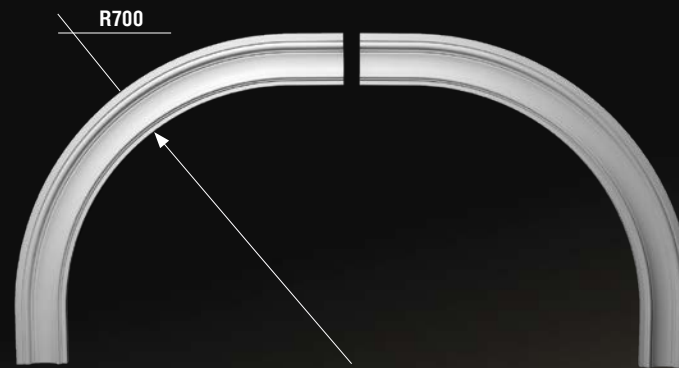


4.84.001 platband

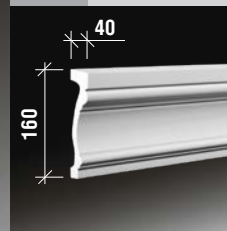


4.87.032 arch frame

4.87.032 FLEX flexible arch frame variable radius R600-900



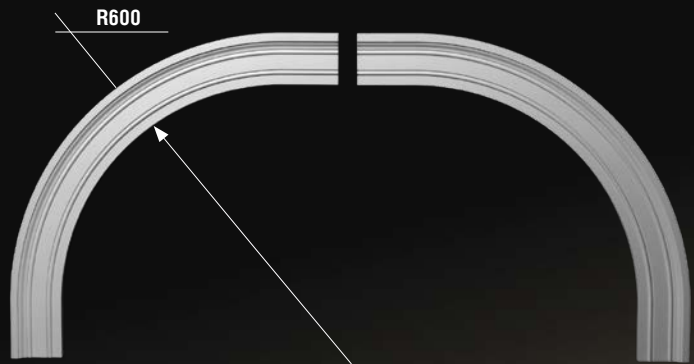
4.84.002 platband



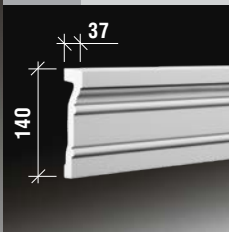


## arch frames

4.87.033	arch frame	
4.87.033 FLEX	flexible arch frame	variable radius R450-750



4.84.003 platband



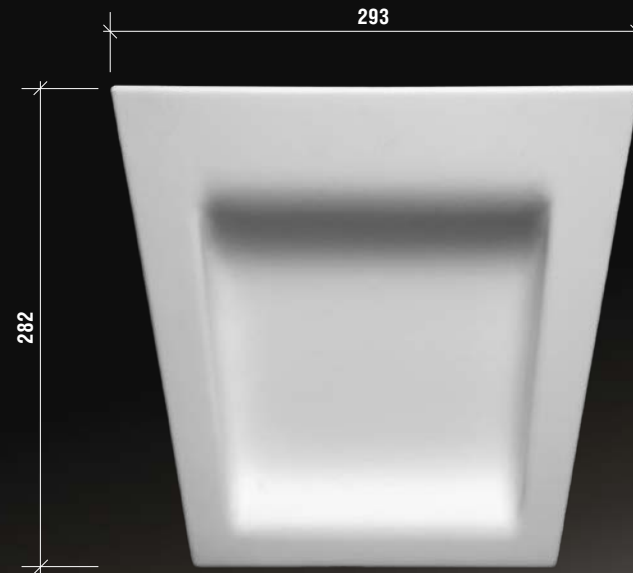
dimensions in millimeters

## keystones

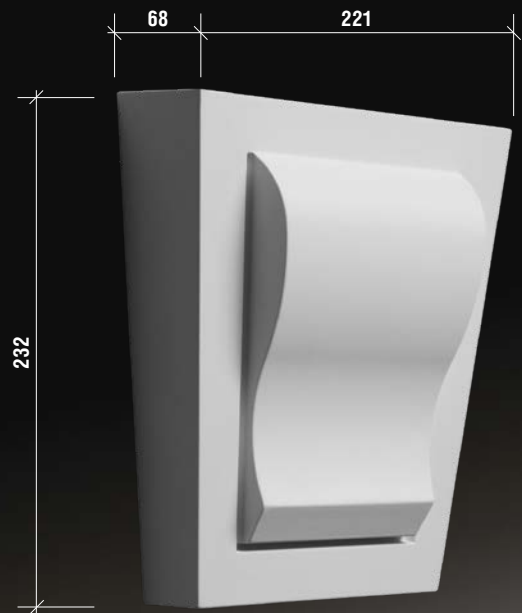
window frames

4.85.001 keystone

keystone depth 65 mm



4.85.002 keystone

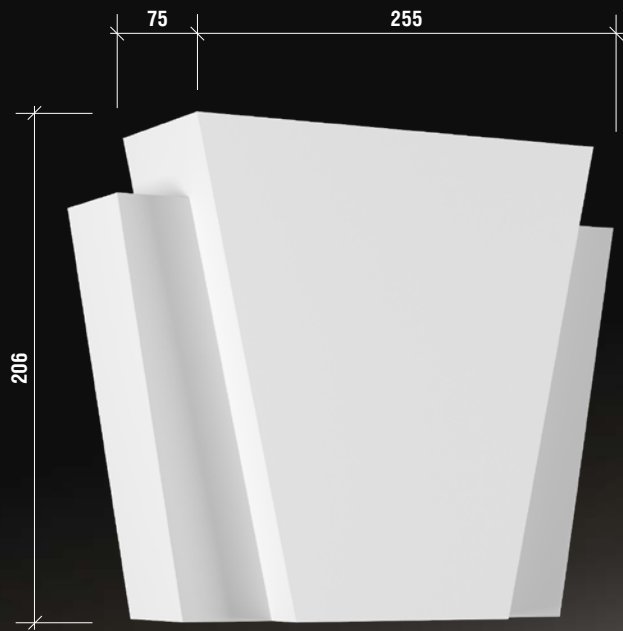


dimensions in millimeters

4.85.003 keystone

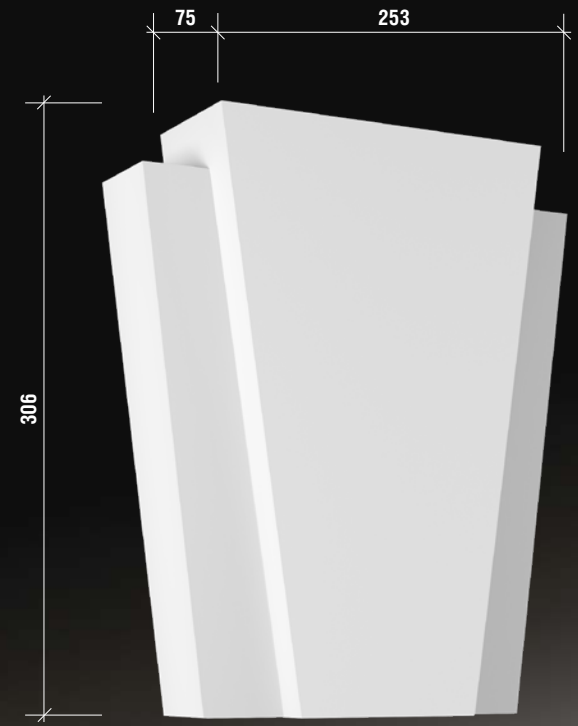


4.85.004 keystone



dimensions in millimeters

4.85.005 keystone



## window jamb

4.88.001 window jamb

window jamb length 2000 mm



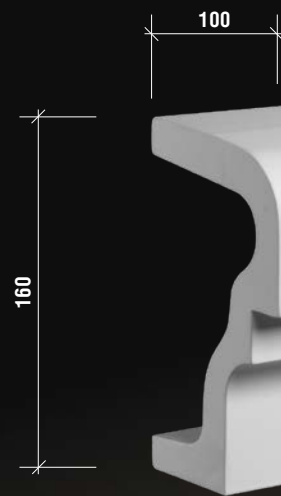
dimensions in millimeters

## window ledges

4.82.001 window ledges

window frames

window ledges length 2 meters



4.82.031 Endwall element



## window ledges

4.82.002 window ledges

window ledges length 2 meters



4.82.032 Endwall element

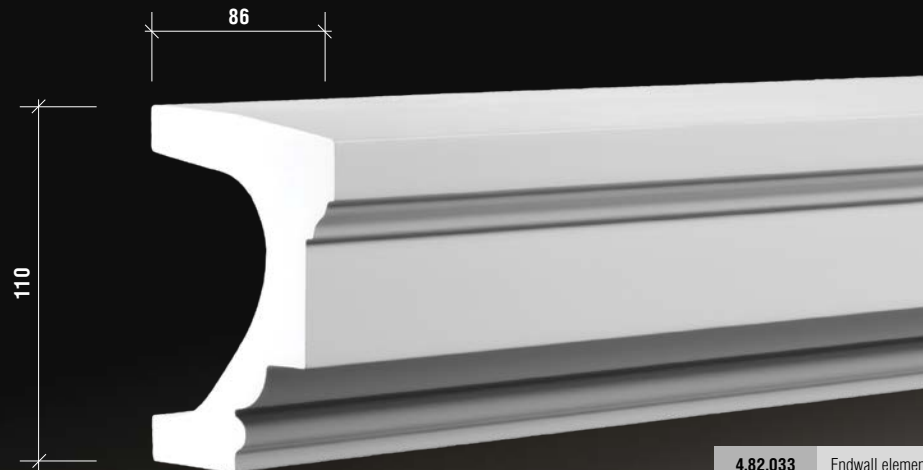


dimensions in millimeters

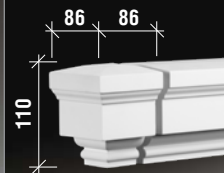
window frames

4.82.003 window ledges

window ledges length 2 meters



4.82.033 Endwall element



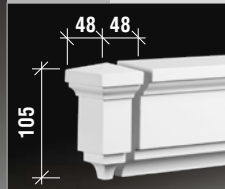
## window ledges

4.82.101 window ledges

window ledges length 2 meters



4.82.131 Endwall element

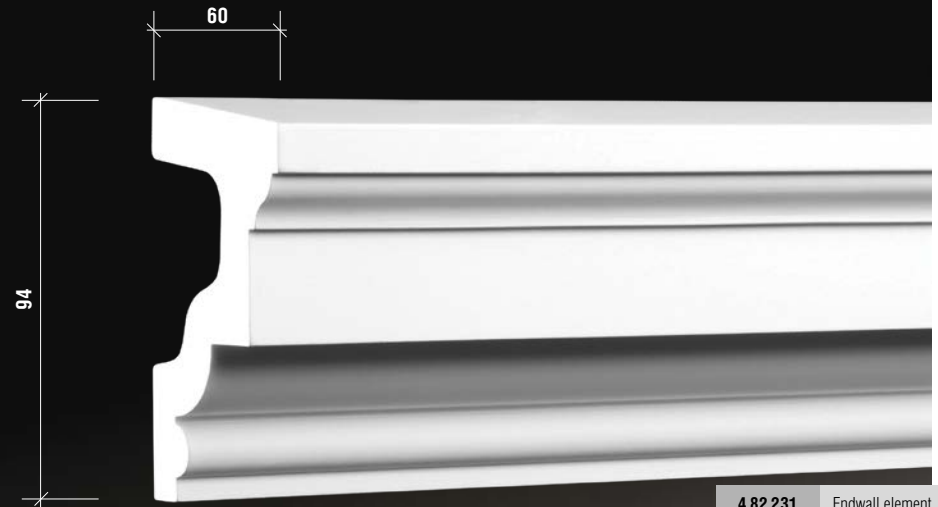


dimensions in millimeters

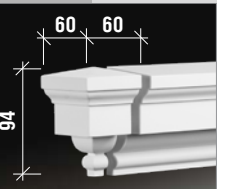
## window frames

4.82.201 window ledges

window ledges length 2 meters



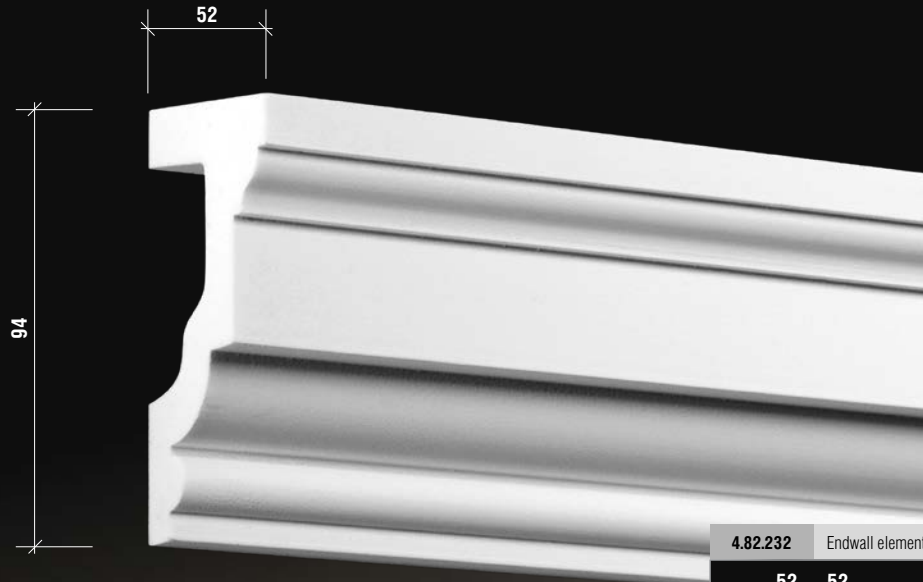
4.82.231 Endwall element



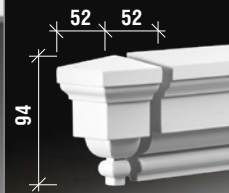
## window ledges

4.82.202 window ledges

window ledges length 2 meters



4.82.232 Endwall element

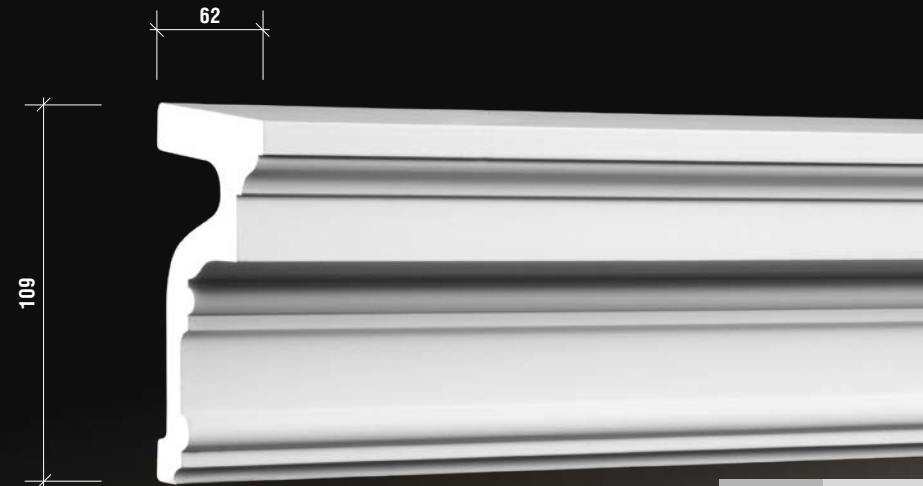


dimensions in millimeters

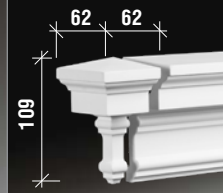
## window frames

4.82.301 window ledges

window ledges length 2 meters



4.82.331 Endwall element



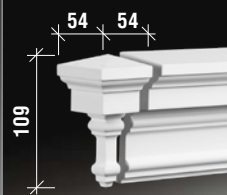
## window ledges

4.82.302 window ledges

window ledges length 2 meters



4.82.332 Endwall element

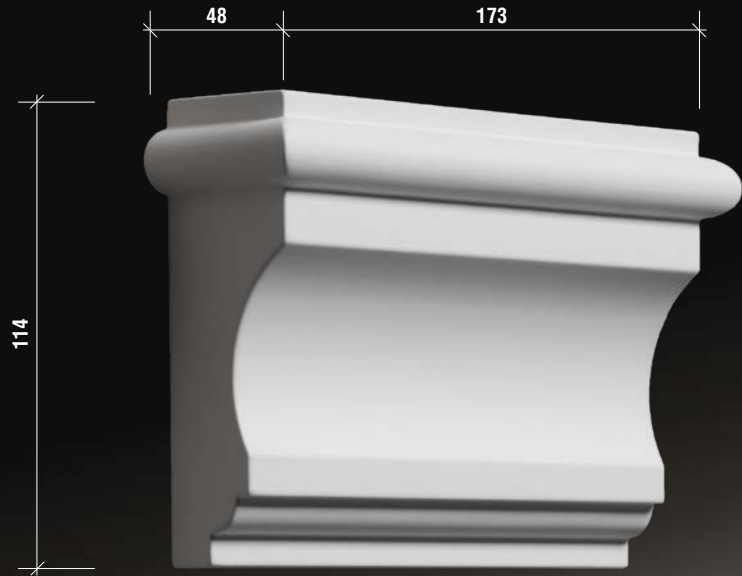


dimensions in millimeters

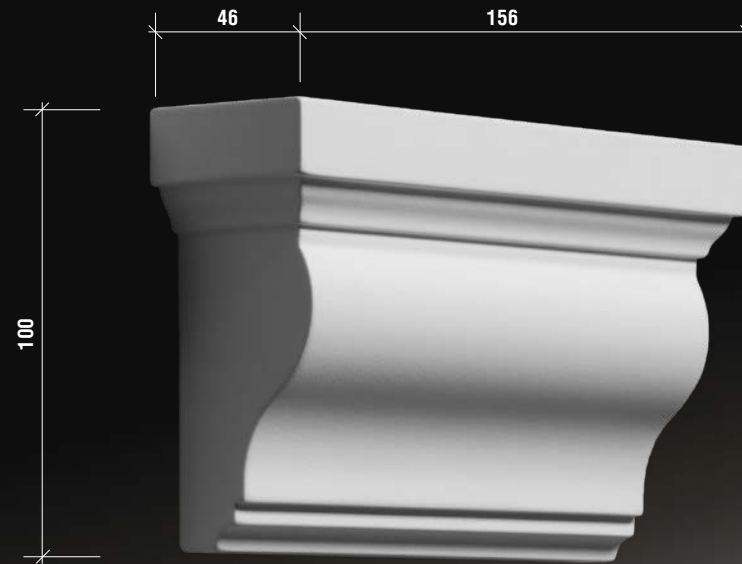




4.83.002 corbel



4.83.003 corbel





dimensions in millimeters

4.89.001 pediment

Pediment depth 54 mm



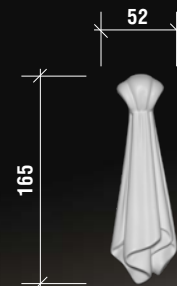
4.99.001 ornament

ornament depth 42 mm



4.99.002 ornament

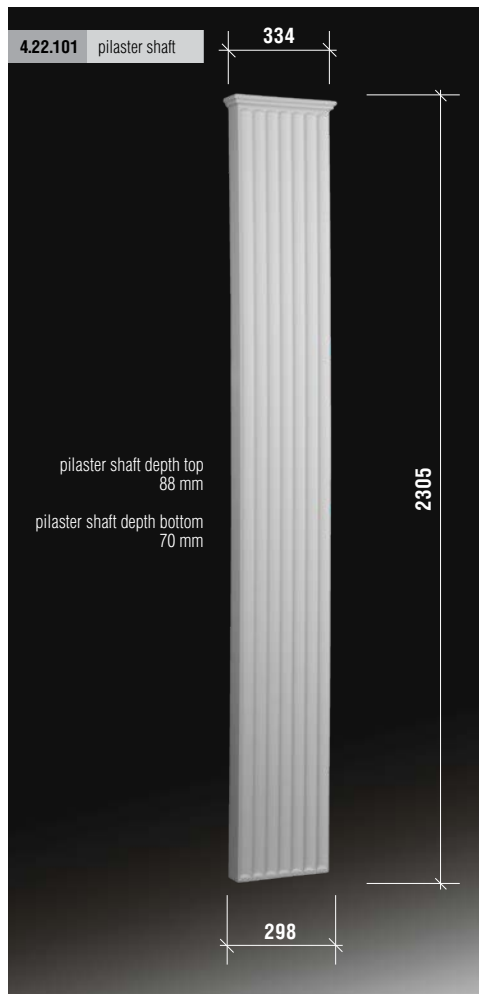
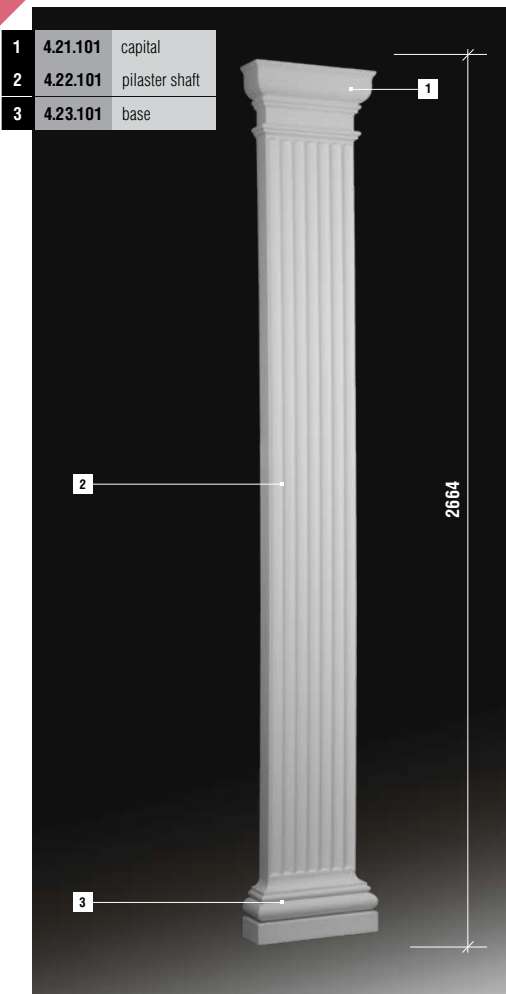
ornament depth 28 mm



**pilasters**

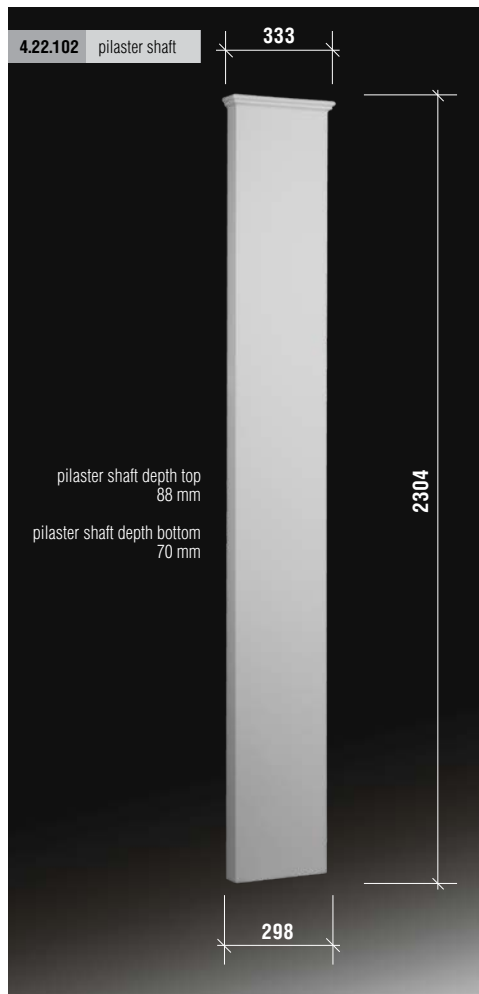
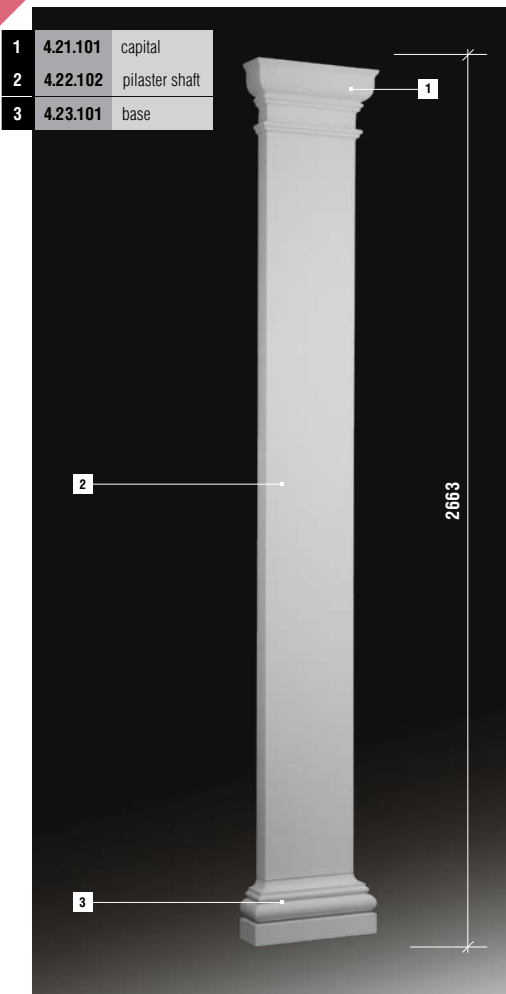
---

# pilasters



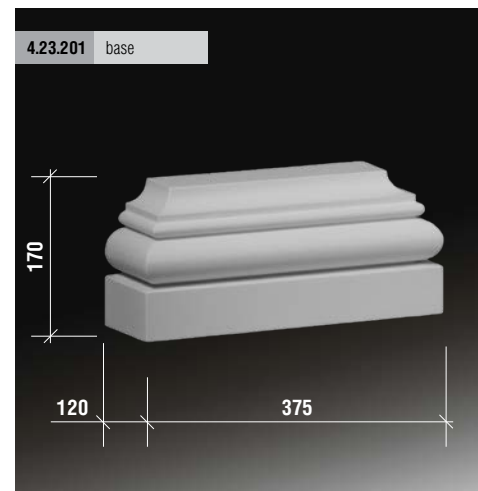
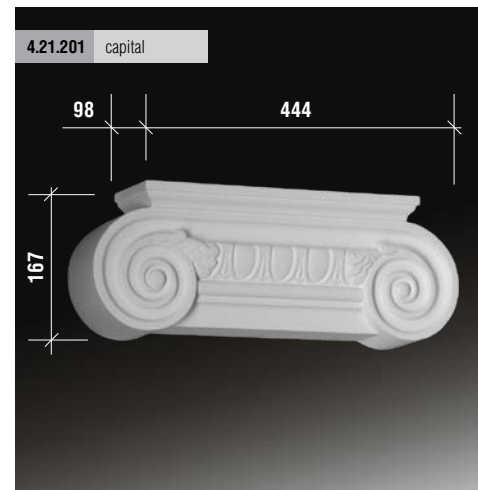
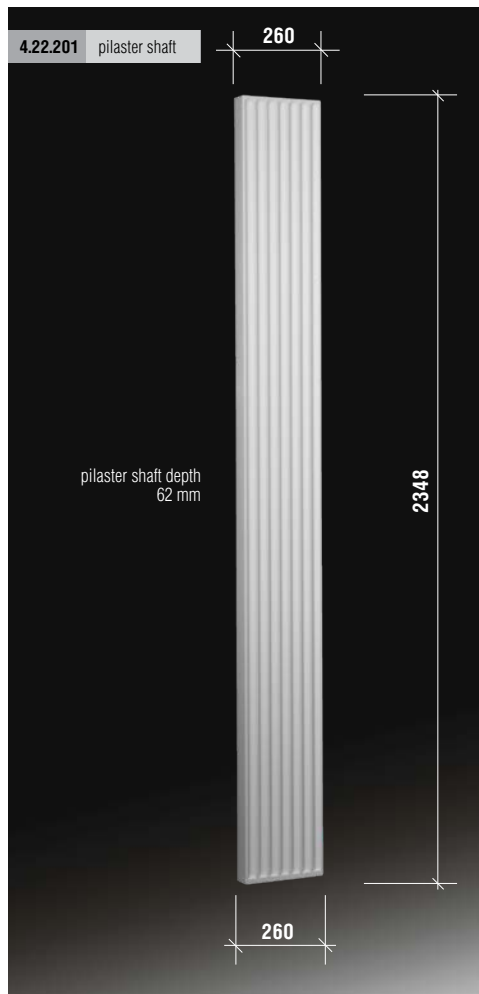
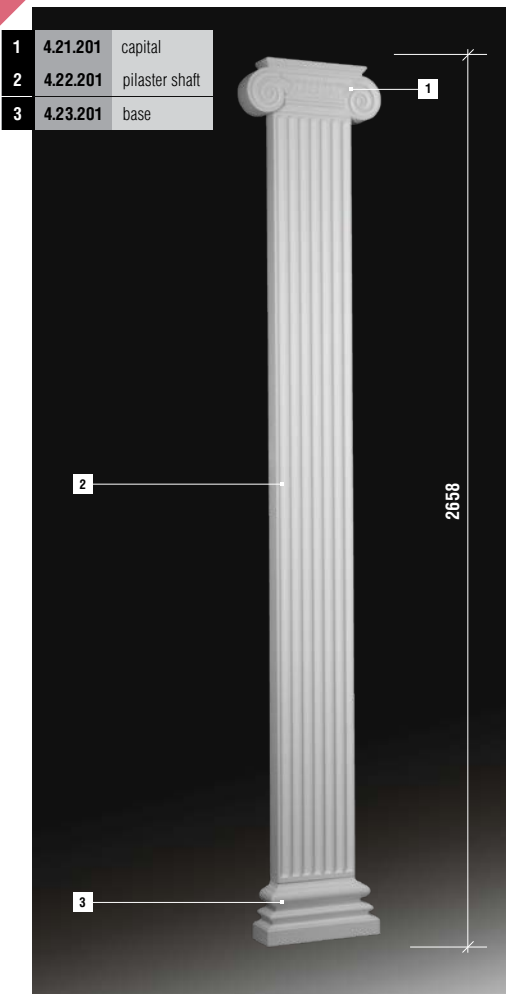
dimensions in millimeters

# pilasters



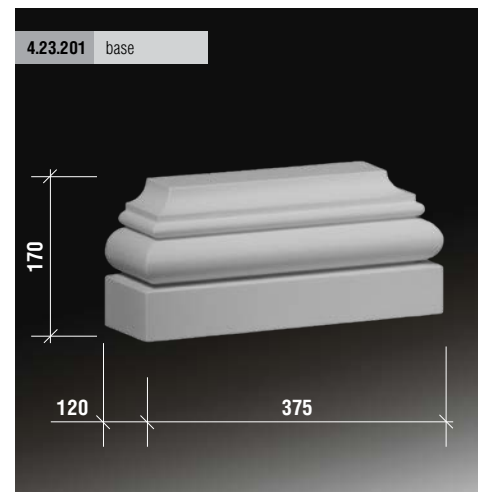
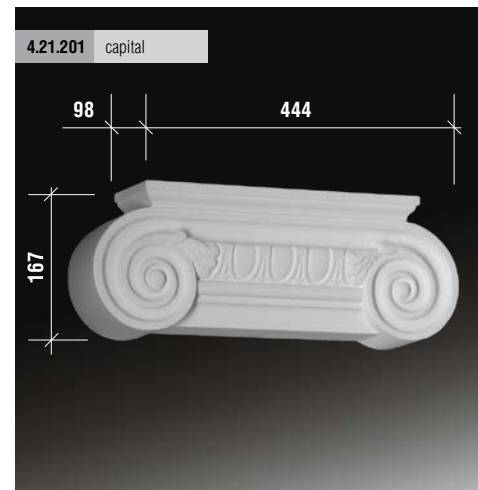
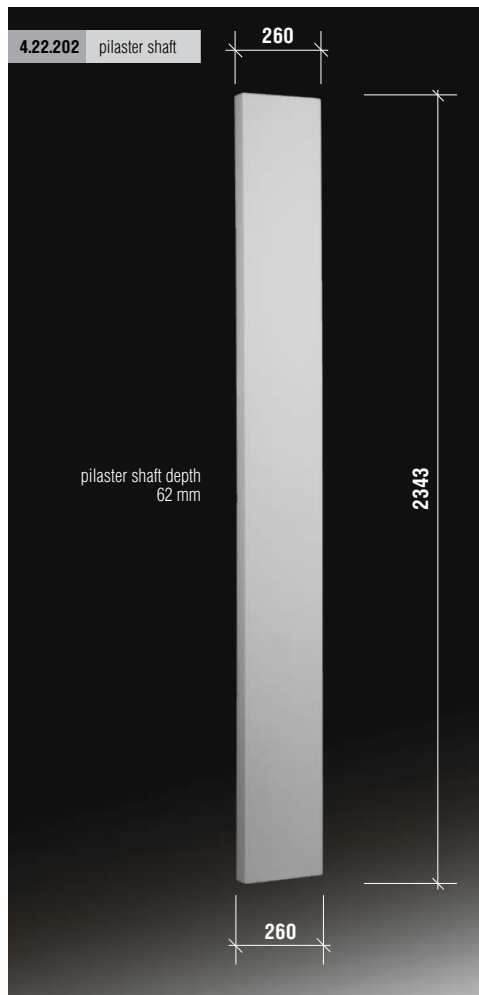
dimensions in millimeters

# pilasters



dimensions in millimeters

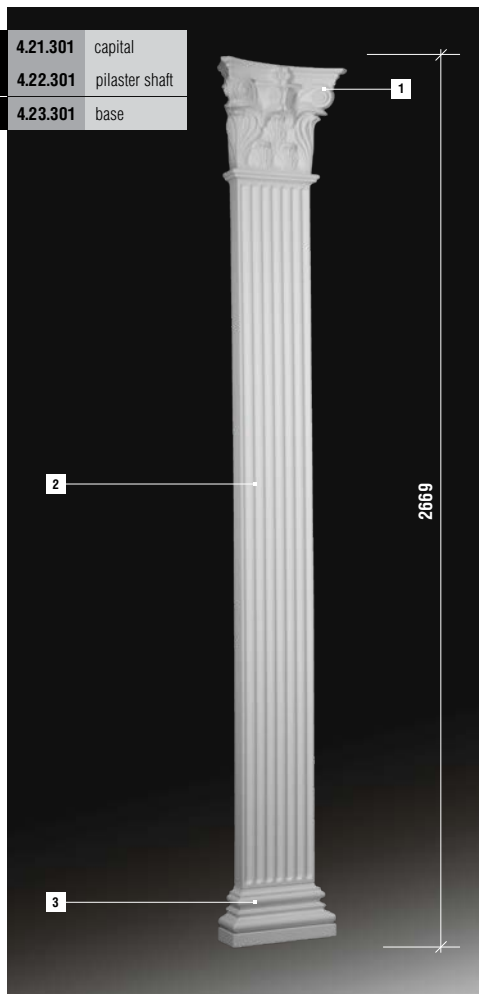
# pilasters



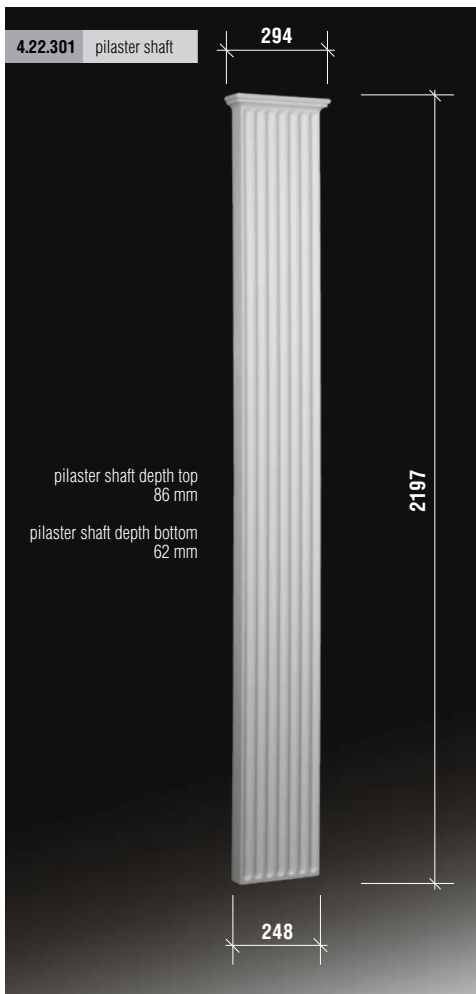
dimensions in millimeters

# pilasters

1	4.21.301	capital
2	4.22.301	pilaster shaft
3	4.23.301	base



4.22.301	pilaster shaft
----------	----------------



4.21.301	capital
----------	---------



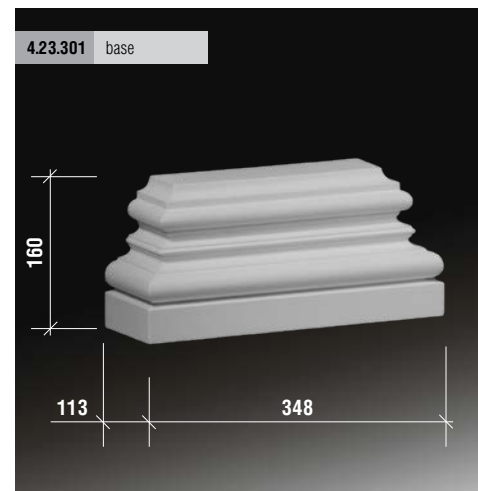
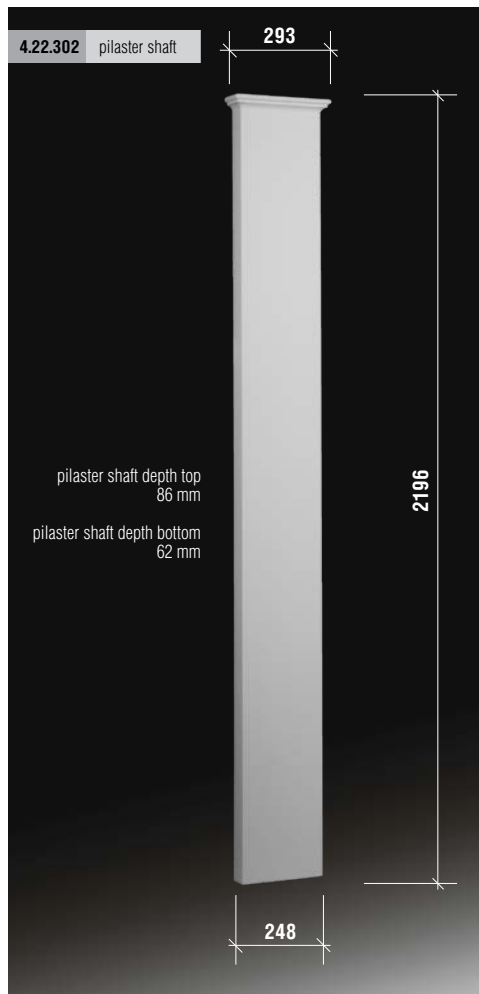
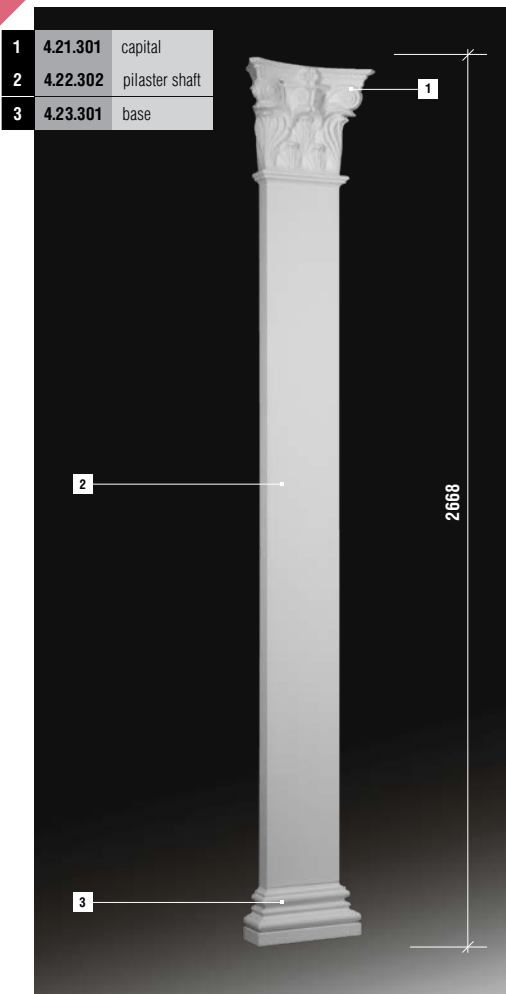
4.23.301	base
----------	------



dimensions in millimeters

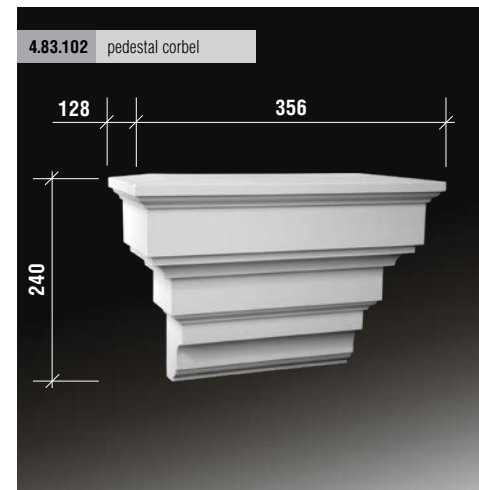
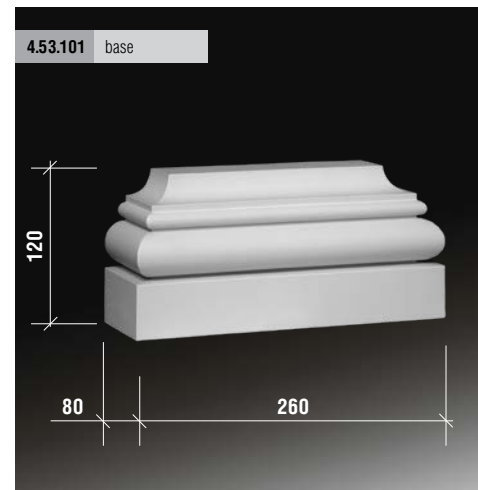
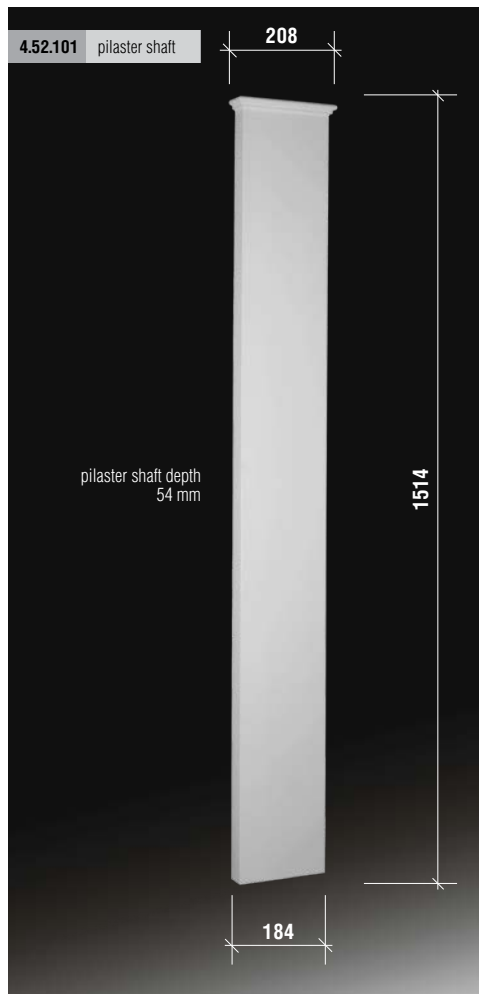
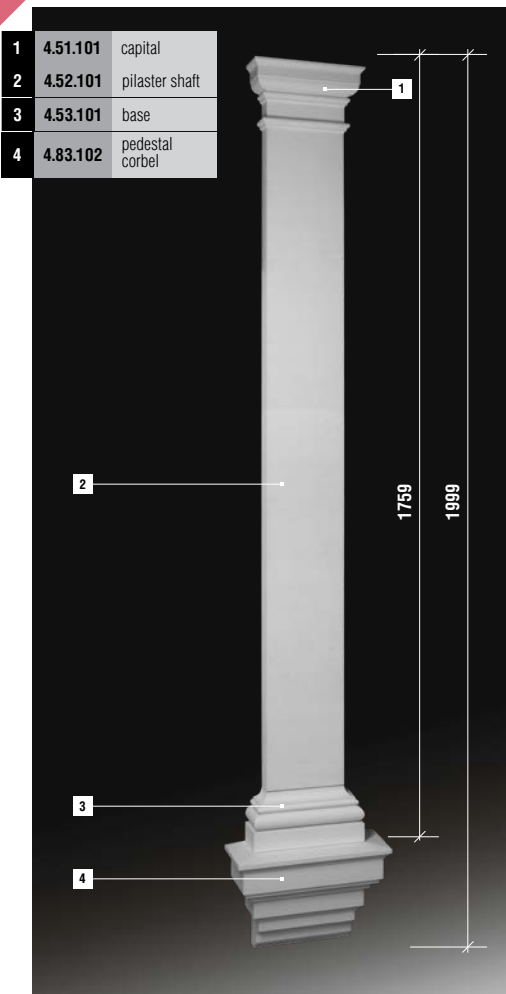


# pilasters



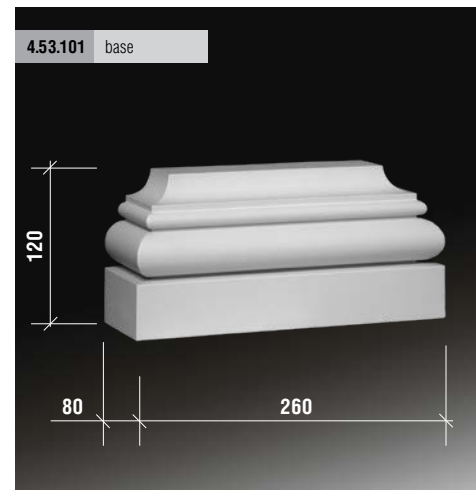
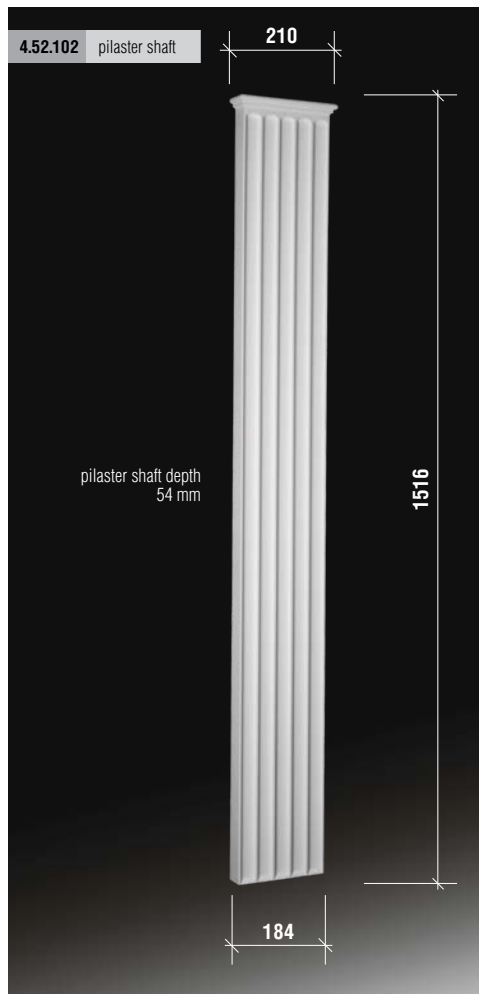
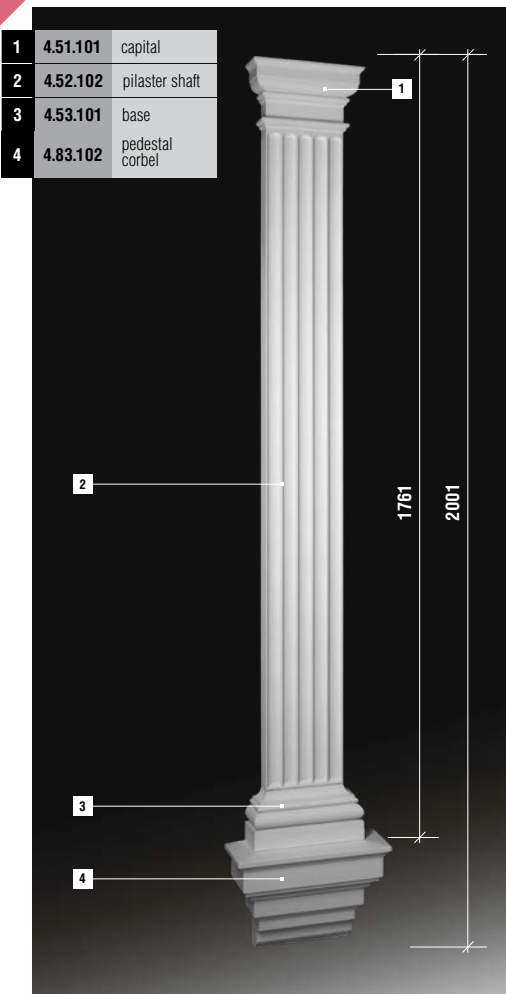
dimensions in millimeters

# pilasters



dimensions in millimeters

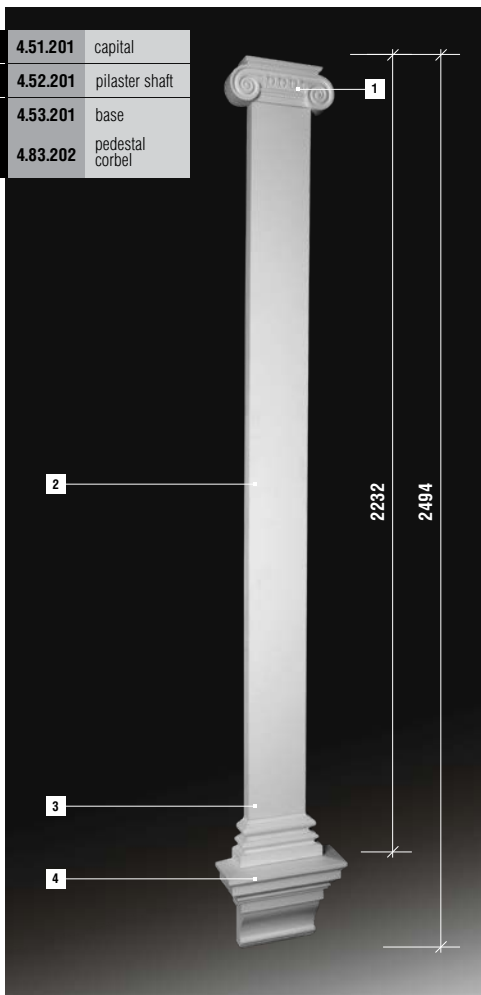
# pilasters



dimensions in millimeters

# pilasters

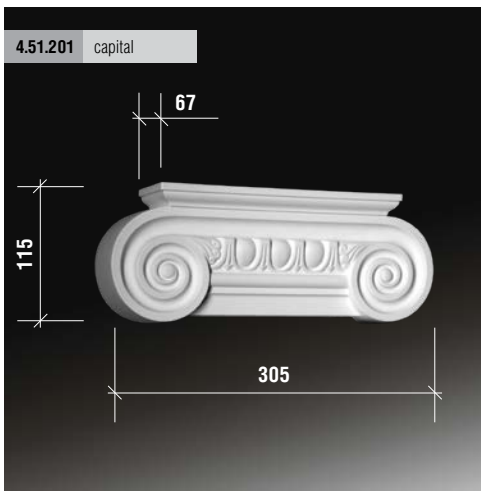
1	4.51.201	capital
2	4.52.201	pilaster shaft
3	4.53.201	base
4	4.83.202	pedestal corbel



4.52.201	pilaster shaft
----------	----------------



4.51.201	capital
----------	---------



4.53.201	base
----------	------

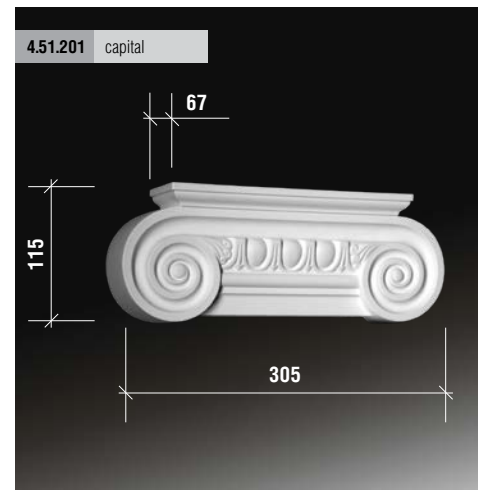
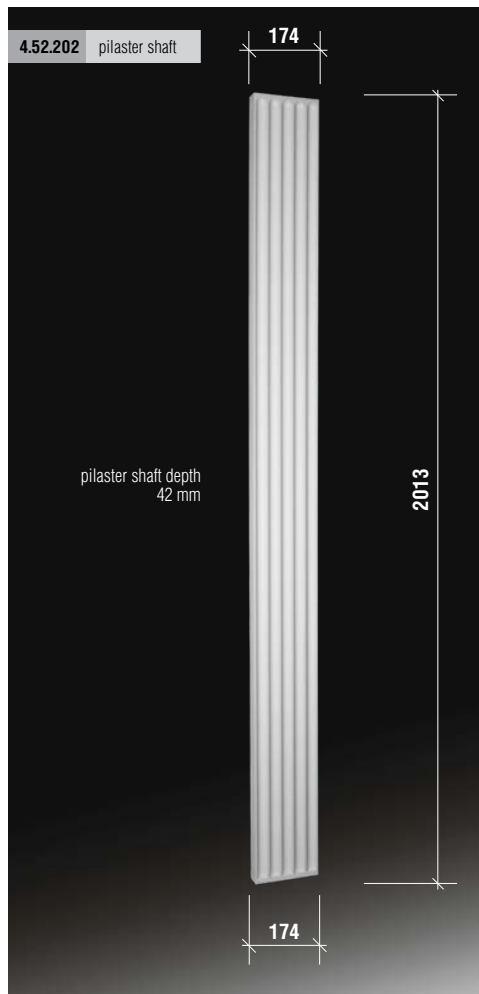
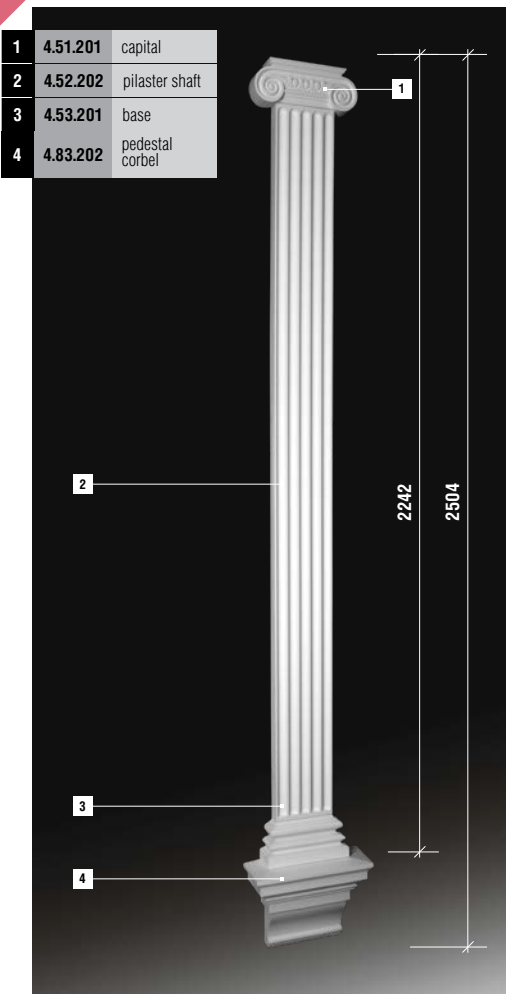


4.83.202	pedestal corbel
----------	-----------------



dimensions in millimeters

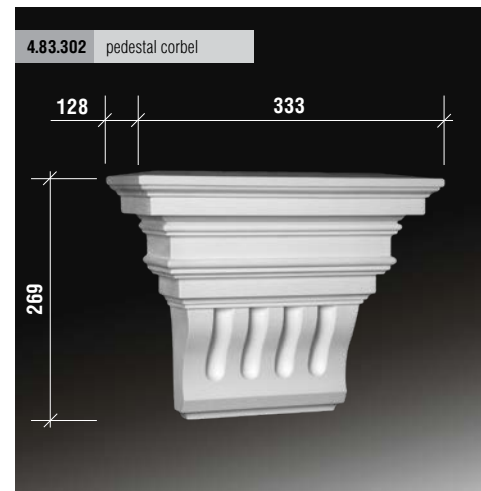
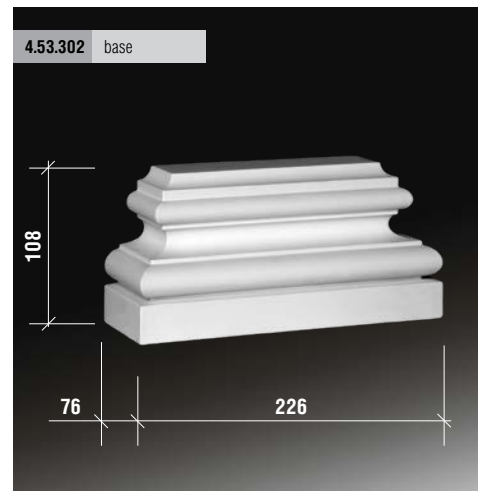
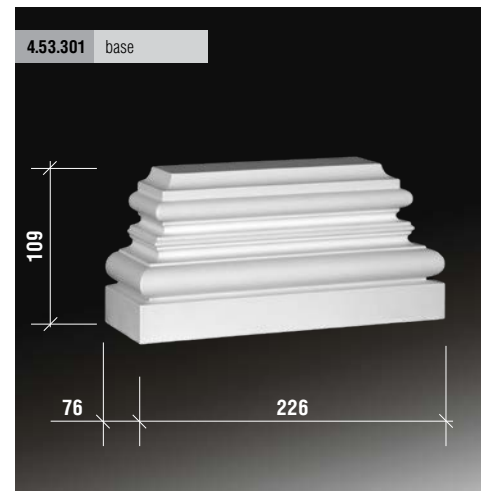
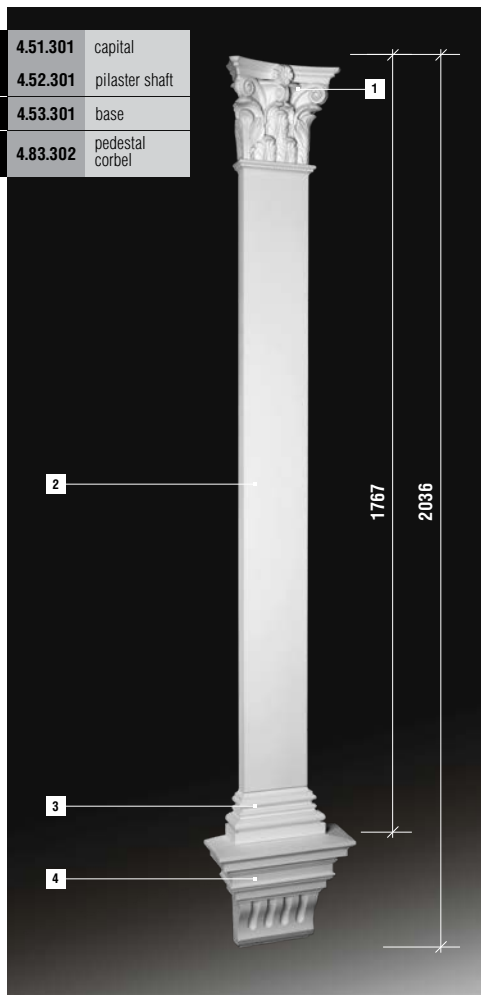
# pilasters



dimensions in millimeters

# pilasters

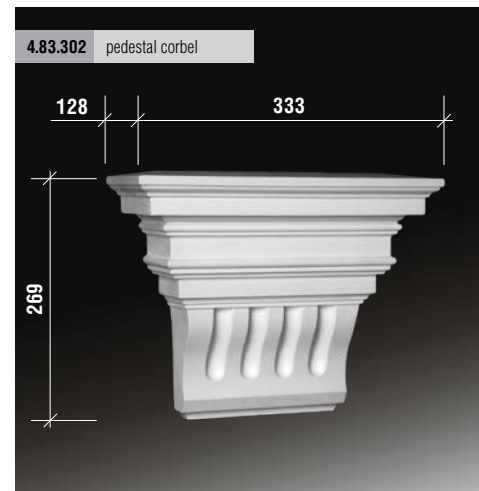
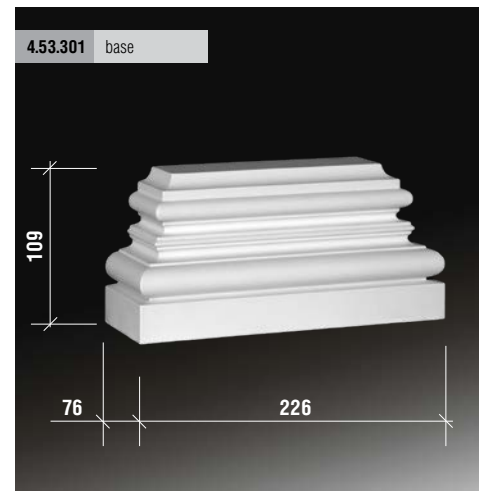
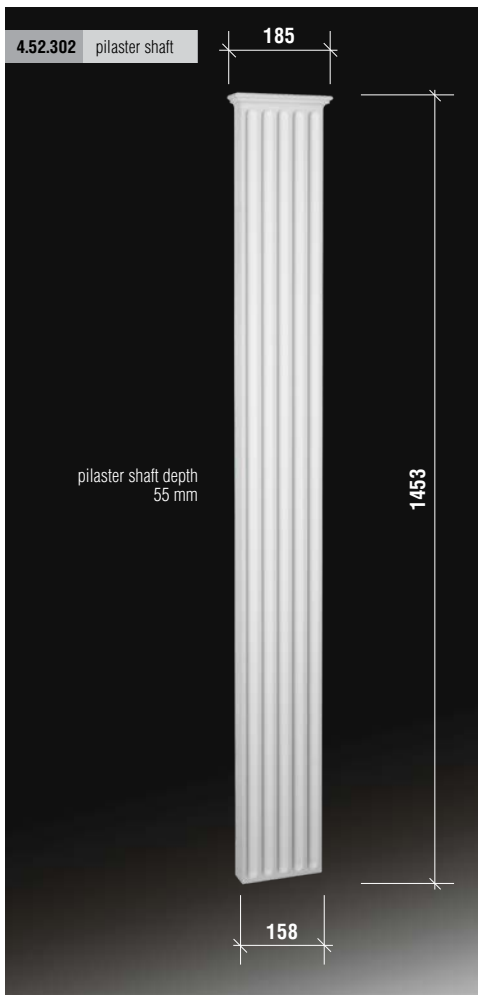
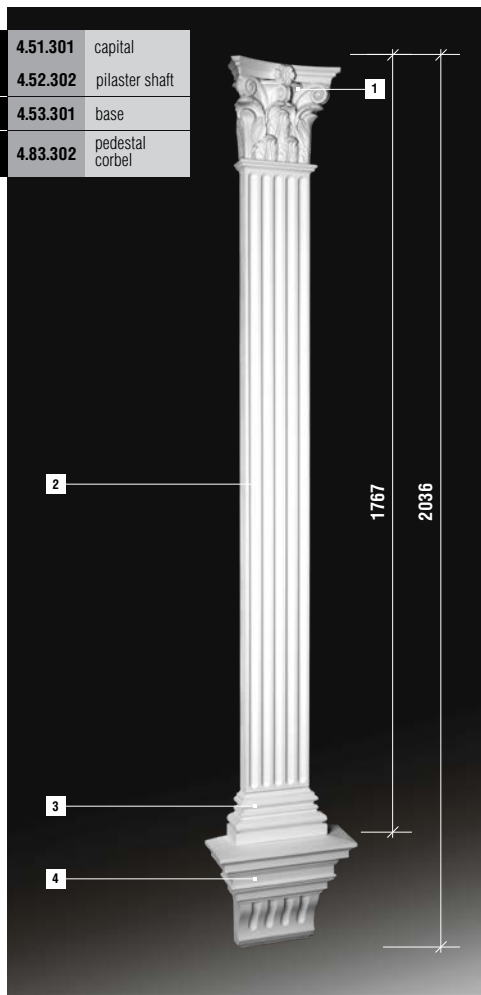
1	4.51.301	capital
2	4.52.301	pilaster shaft
3	4.53.301	base
4	4.83.302	pedestal corbel



dimensions in millimeters

# pilasters

1	4.51.301	capital
2	4.52.302	pilaster shaft
3	4.53.301	base
4	4.83.302	pedestal corbel



dimensions in millimeters

**bossages**

---



## bossages

4.86.001 bossage

bossage depth 42 mm

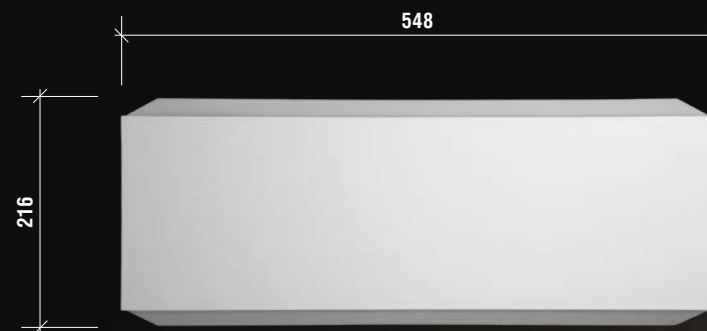


dimensions in millimeters

## bossage

4.86.002 bossage

bossage depth 37 mm



## bossages

4.86.003 bossage

bossage depth 40 mm

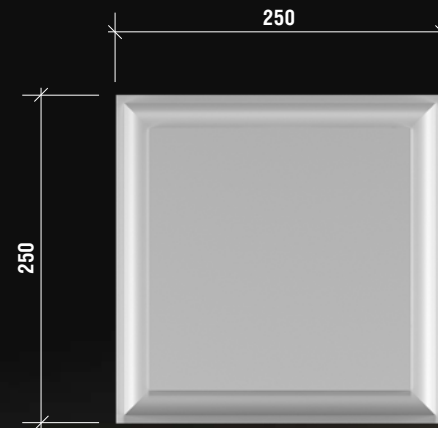


dimensions in millimeters

## bossage

4.86.004 bossage

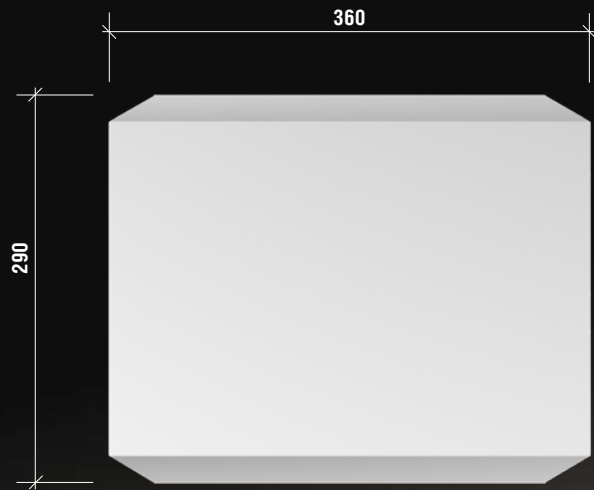
bossage depth 40 mm



## bossages

4.86.005 bossage

bossage depth 42 mm



dimensions in millimeters



## examples

---

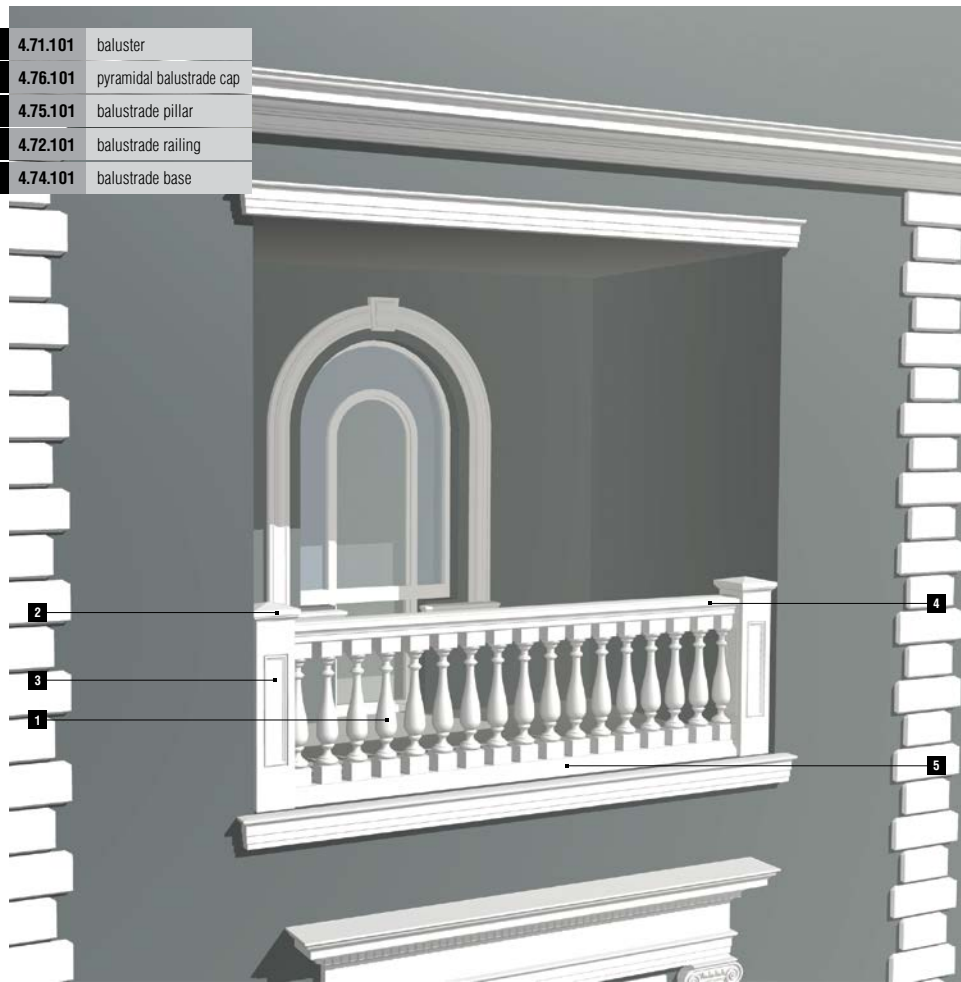
balustrades	220
main entrances	227
cornices	
main cornices	256
facade mouldings	292
window frames	
windows with pilasters	330
windows with half columns	344
windows with keystones	351
bossages	361
examples	365

1	4.71.101	baluster
2	4.76.101	pyramidal balustrade cap
3	4.75.101	balustrade pillar
4	4.72.101	balustrade railing
5	4.74.101	balustrade base



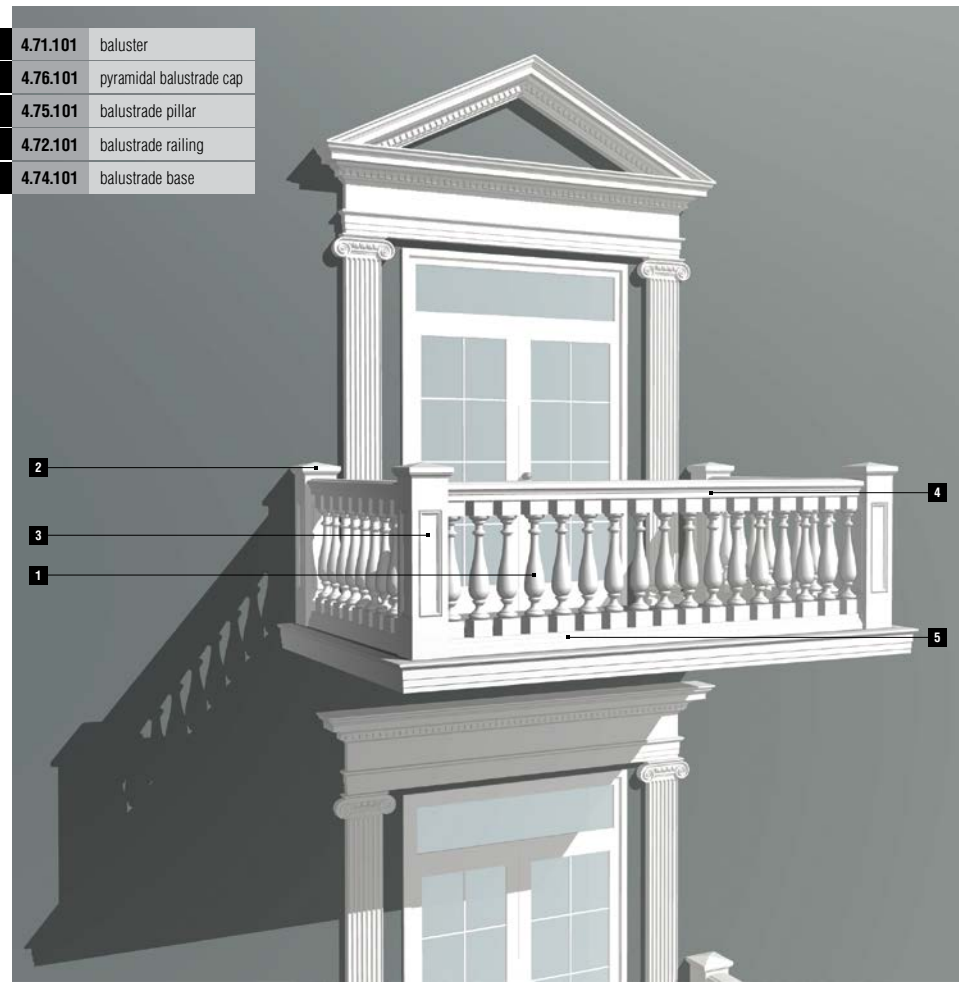
## balustrades

1	4.71.101	baluster
2	4.76.101	pyramidal balustrade cap
3	4.75.101	balustrade pillar
4	4.72.101	balustrade railing
5	4.74.101	balustrade base



## examples

1	4.71.101	baluster
2	4.76.101	pyramidal balustrade cap
3	4.75.101	balustrade pillar
4	4.72.101	balustrade railing
5	4.74.101	balustrade base



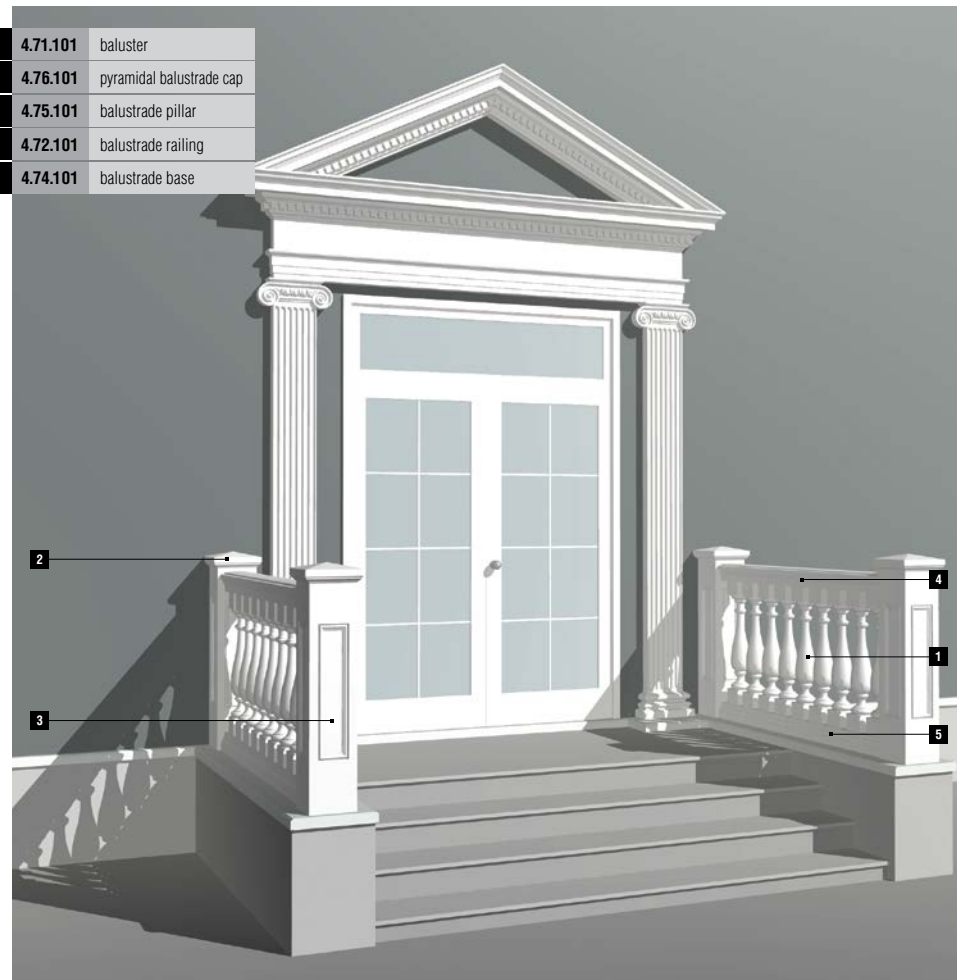
## balustrades

examples

1	4.71.101	baluster
2	4.77.101	ball shaped balustrade cap
3	4.75.101	balustrade pillar
4	4.72.101	balustrade railing
5	4.74.101	balustrade base



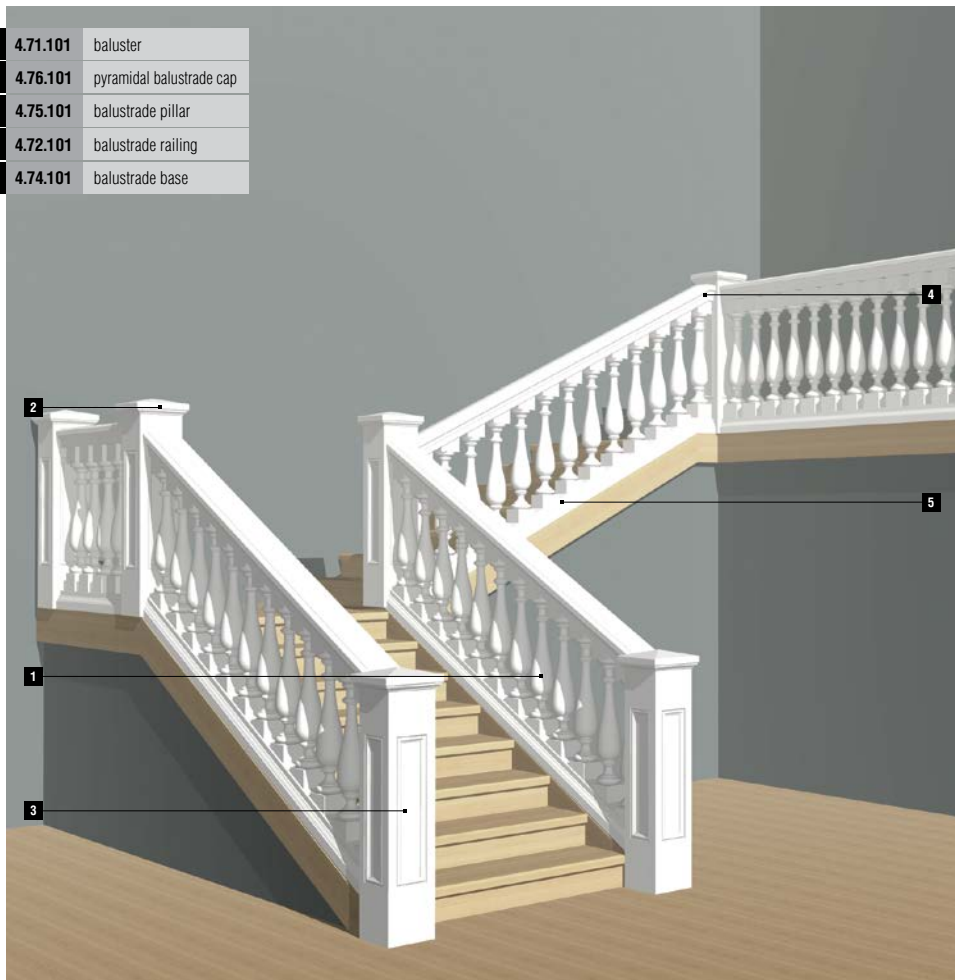
1	4.71.101	baluster
2	4.76.101	pyramidal balustrade cap
3	4.75.101	balustrade pillar
4	4.72.101	balustrade railing
5	4.74.101	balustrade base





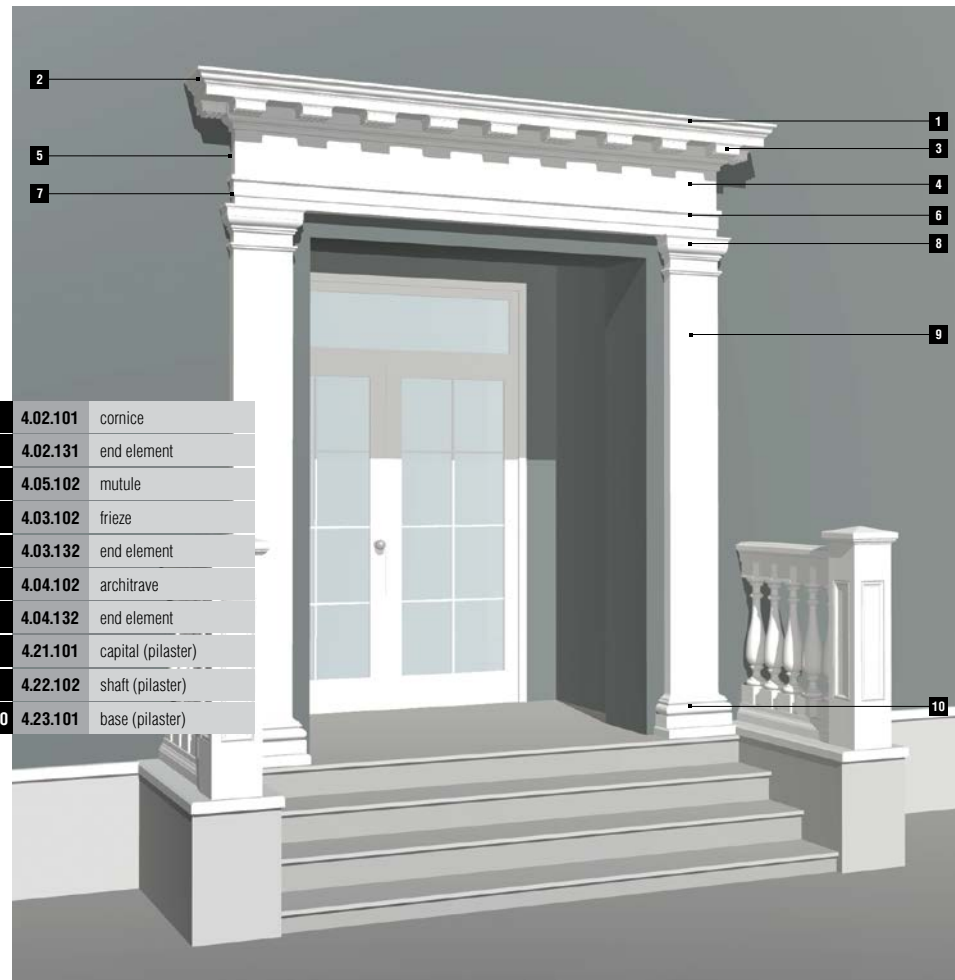
## balustrades

1	4.71.101	baluster
2	4.76.101	pyramidal balustrade cap
3	4.75.101	balustrade pillar
4	4.72.101	balustrade railing
5	4.74.101	balustrade base



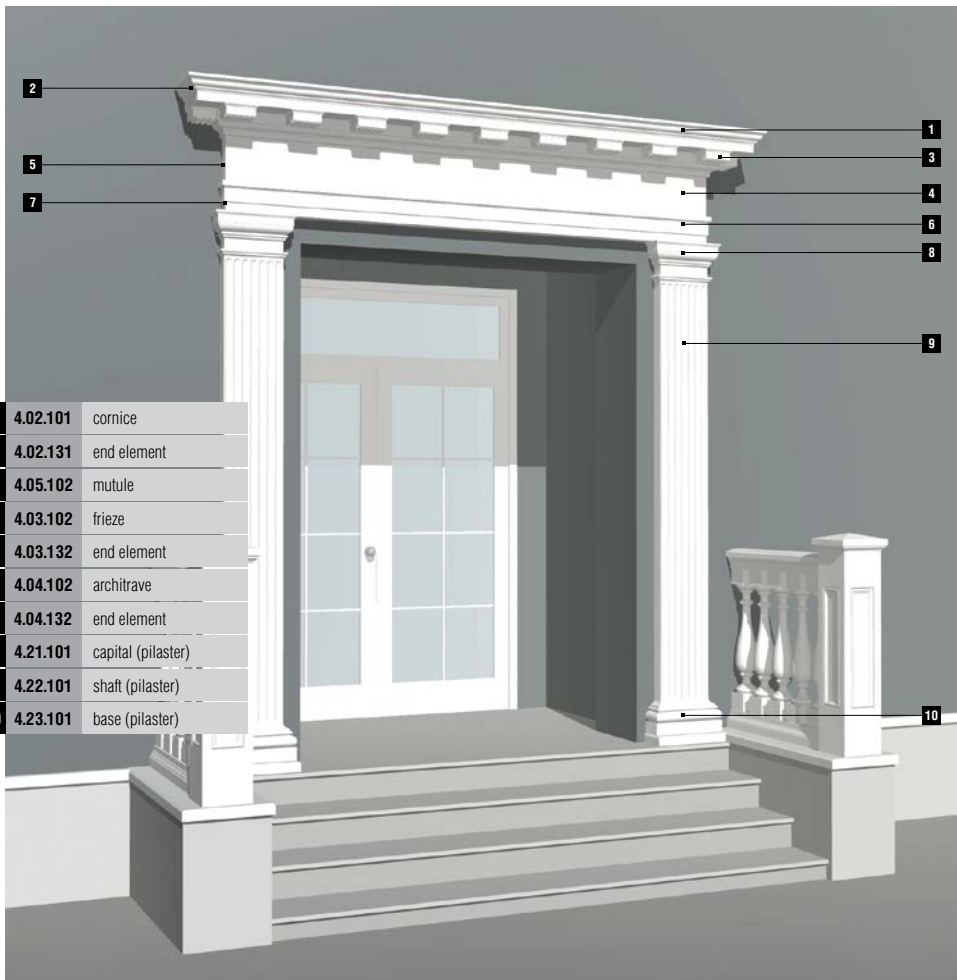
## main entrances

examples

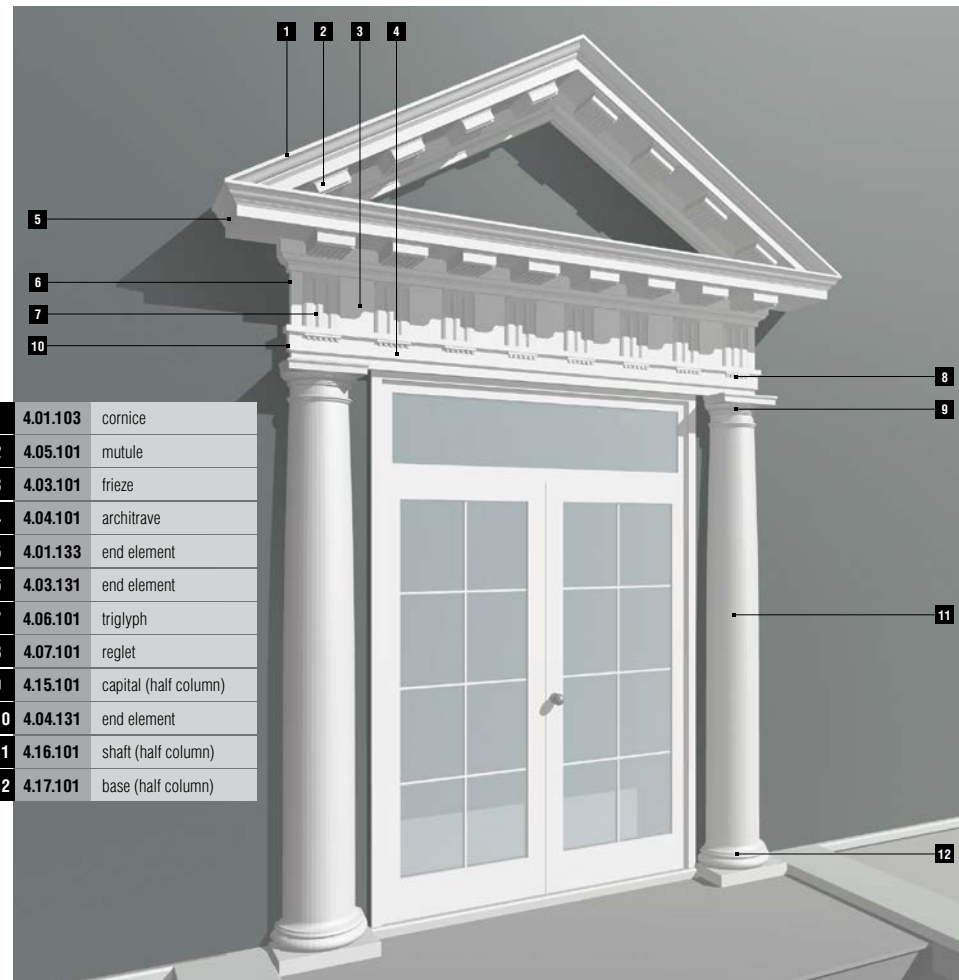


1	4.02.101	cornice
2	4.02.131	end element
3	4.05.102	mutule
4	4.03.102	frieze
5	4.03.132	end element
6	4.04.102	architrave
7	4.04.132	end element
8	4.21.101	capital (pilaster)
9	4.22.102	shaft (pilaster)
10	4.23.101	base (pilaster)

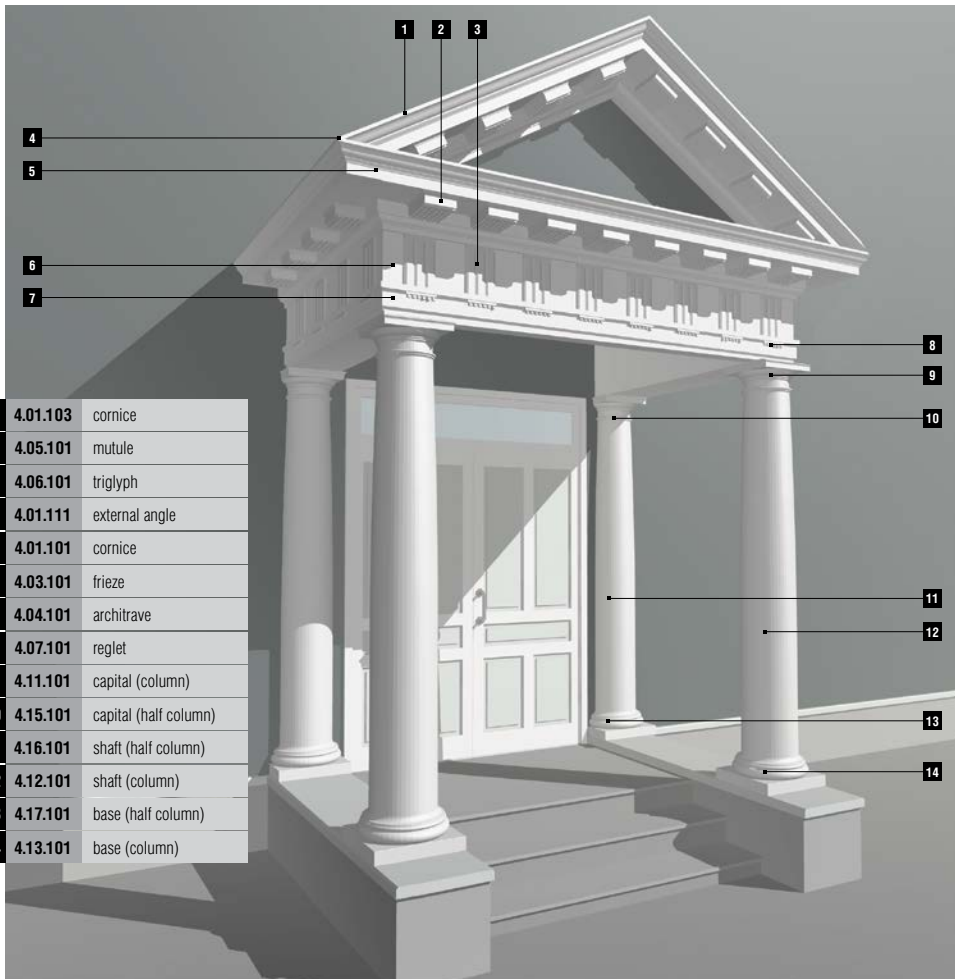




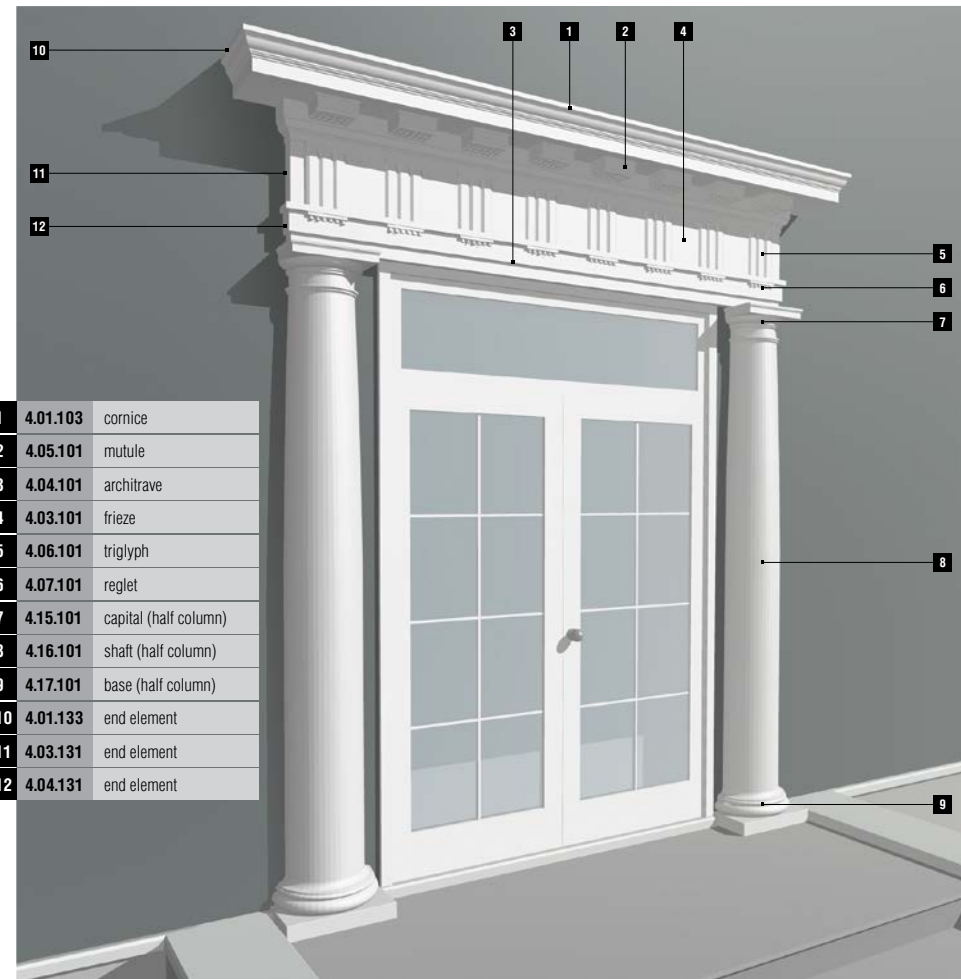
1	4.02.101	cornice
2	4.02.131	end element
3	4.05.102	mutule
4	4.03.102	frieze
5	4.03.132	end element
6	4.04.102	architrave
7	4.04.132	end element
8	4.21.101	capital (pilaster)
9	4.22.101	shaft (pilaster)
10	4.23.101	base (pilaster)



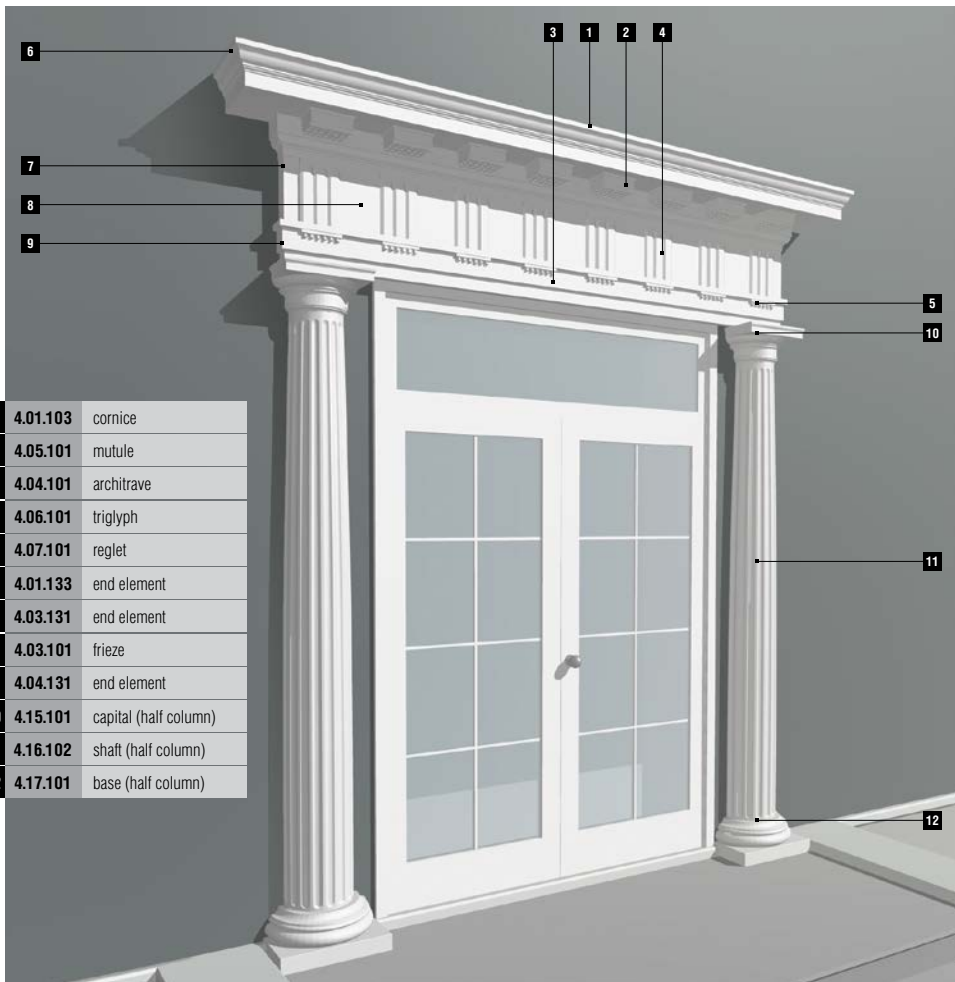
1	4.01.103	cornice
2	4.05.101	mutule
3	4.03.101	frieze
4	4.04.101	architrave
5	4.01.133	end element
6	4.03.131	end element
7	4.06.101	triglyph
8	4.07.101	reglet
9	4.15.101	capital (half column)
10	4.04.131	end element
11	4.16.101	shaft (half column)
12	4.17.101	base (half column)



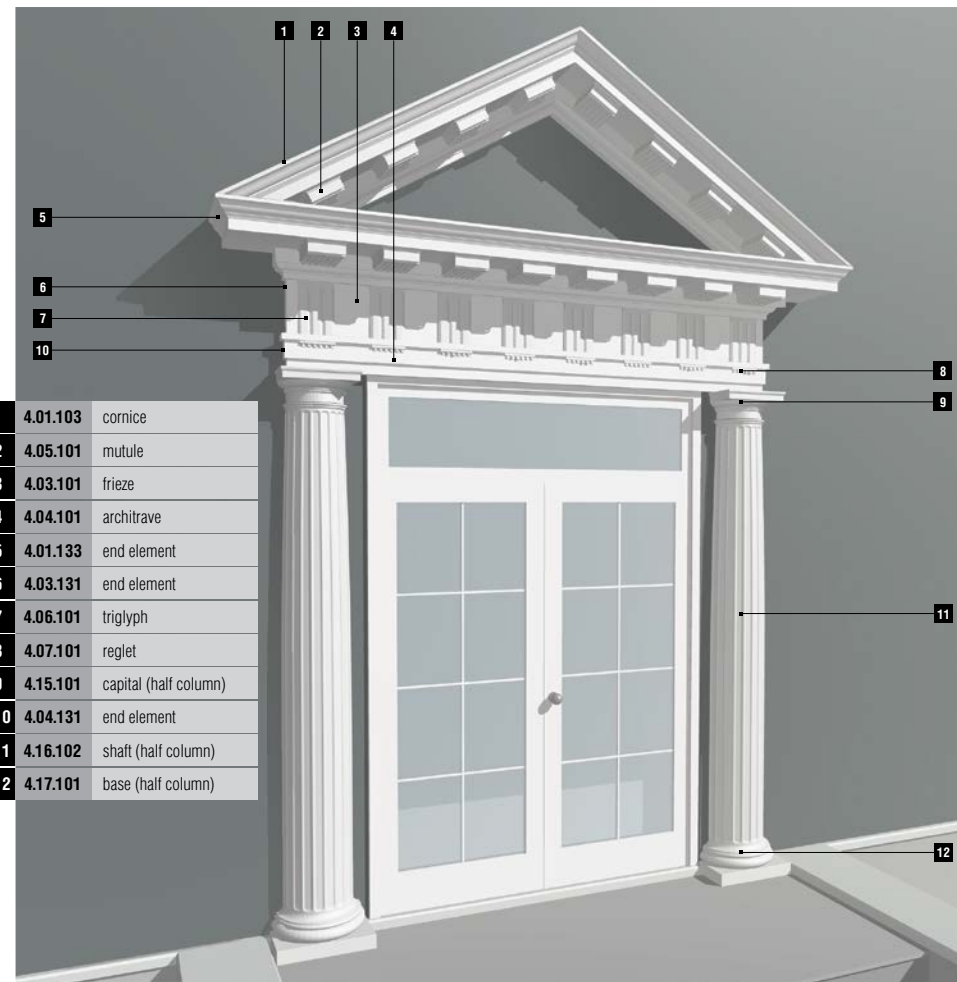
1	4.01.103	cornice
2	4.05.101	mutule
3	4.06.101	triglyph
4	4.01.111	external angle
5	4.01.101	cornice
6	4.03.101	frieze
7	4.04.101	architrave
8	4.07.101	reglet
9	4.11.101	capital (column)
10	4.15.101	capital (half column)
11	4.16.101	shaft (half column)
12	4.12.101	shaft (column)
13	4.17.101	base (half column)
14	4.13.101	base (column)



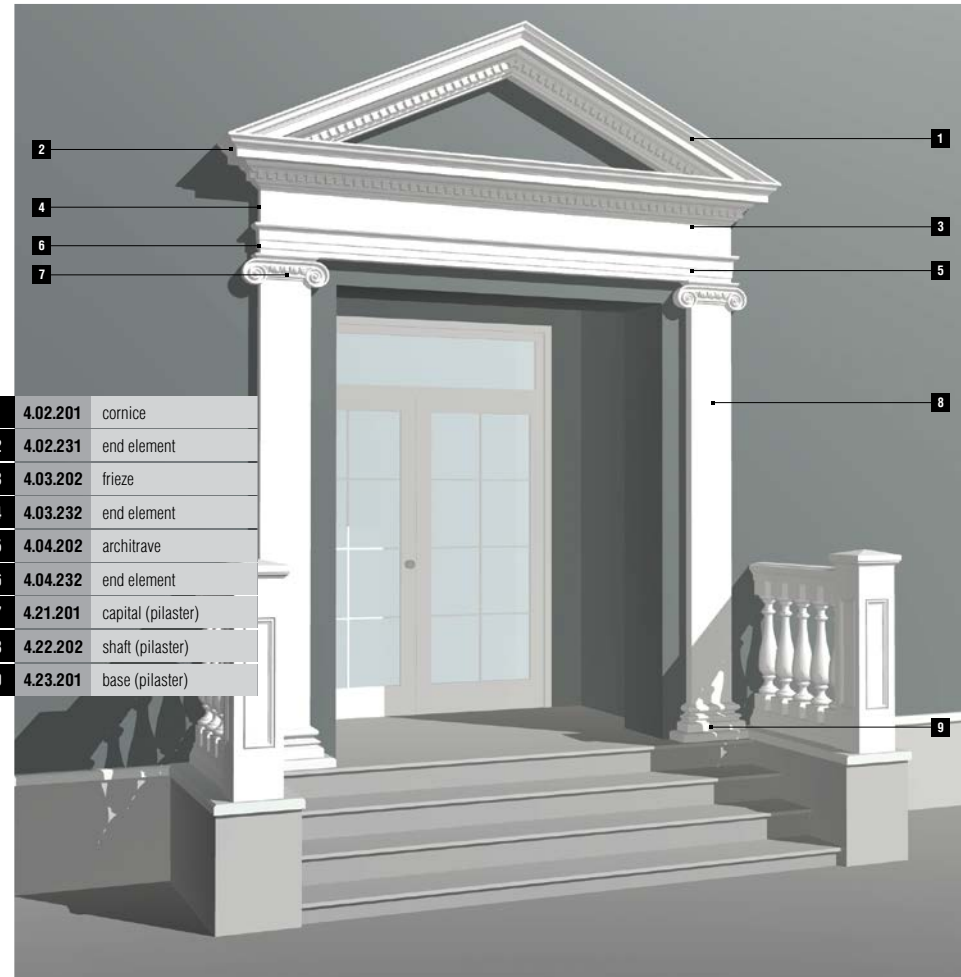
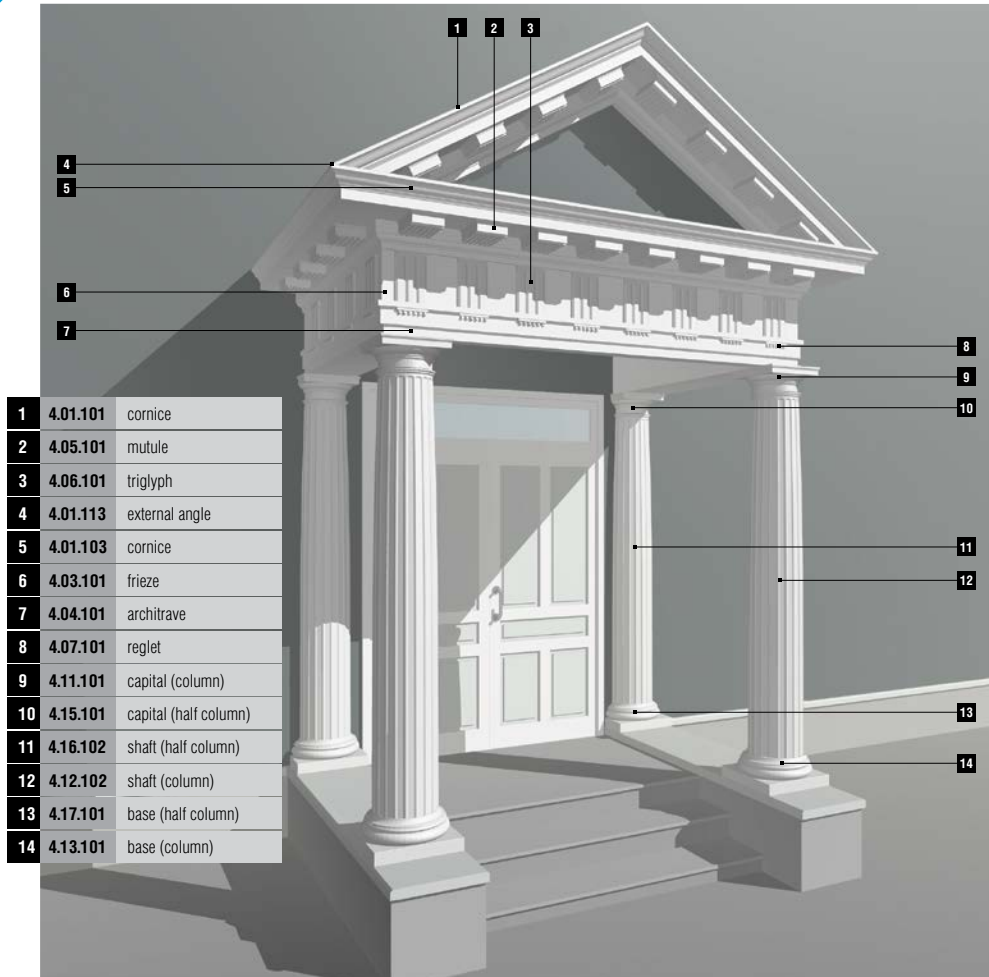
1	4.01.103	cornice
2	4.05.101	mutule
3	4.04.101	architrave
4	4.03.101	frieze
5	4.06.101	triglyph
6	4.07.101	reglet
7	4.15.101	capital (half column)
8	4.16.101	shaft (half column)
9	4.17.101	base (half column)
10	4.01.133	end element
11	4.03.131	end element
12	4.04.131	end element

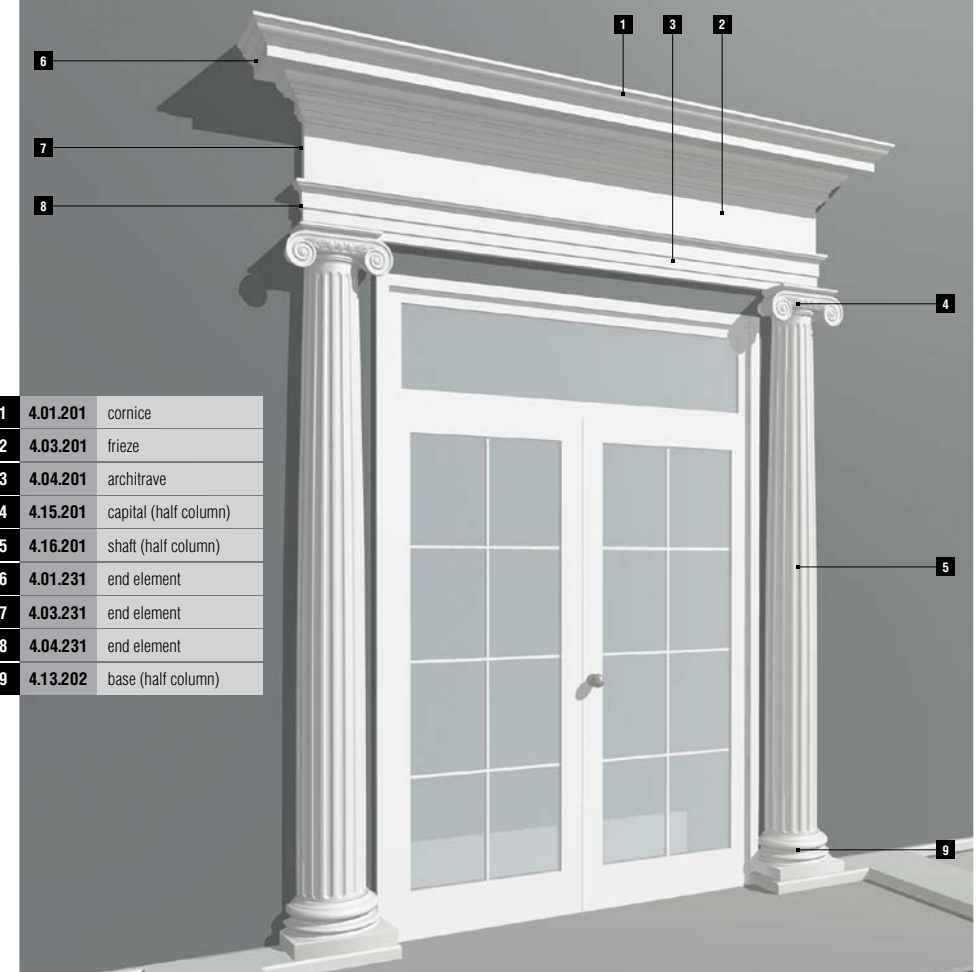
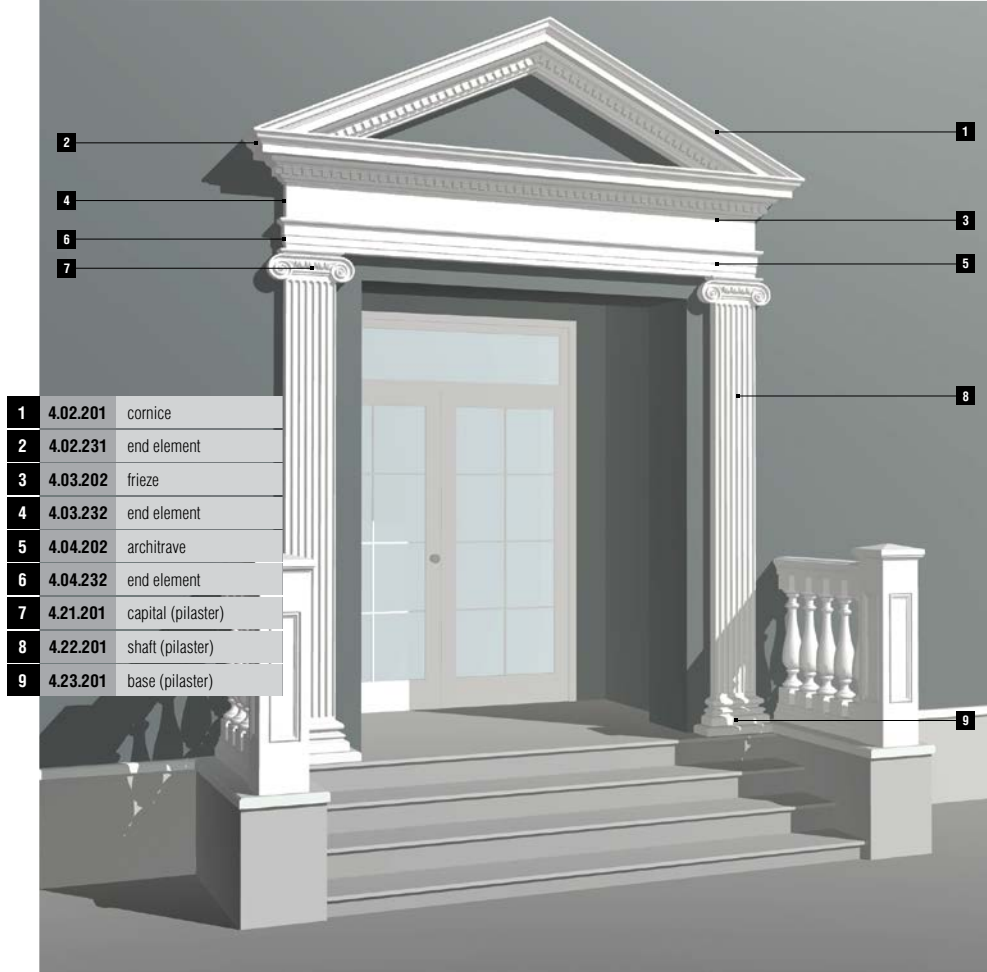


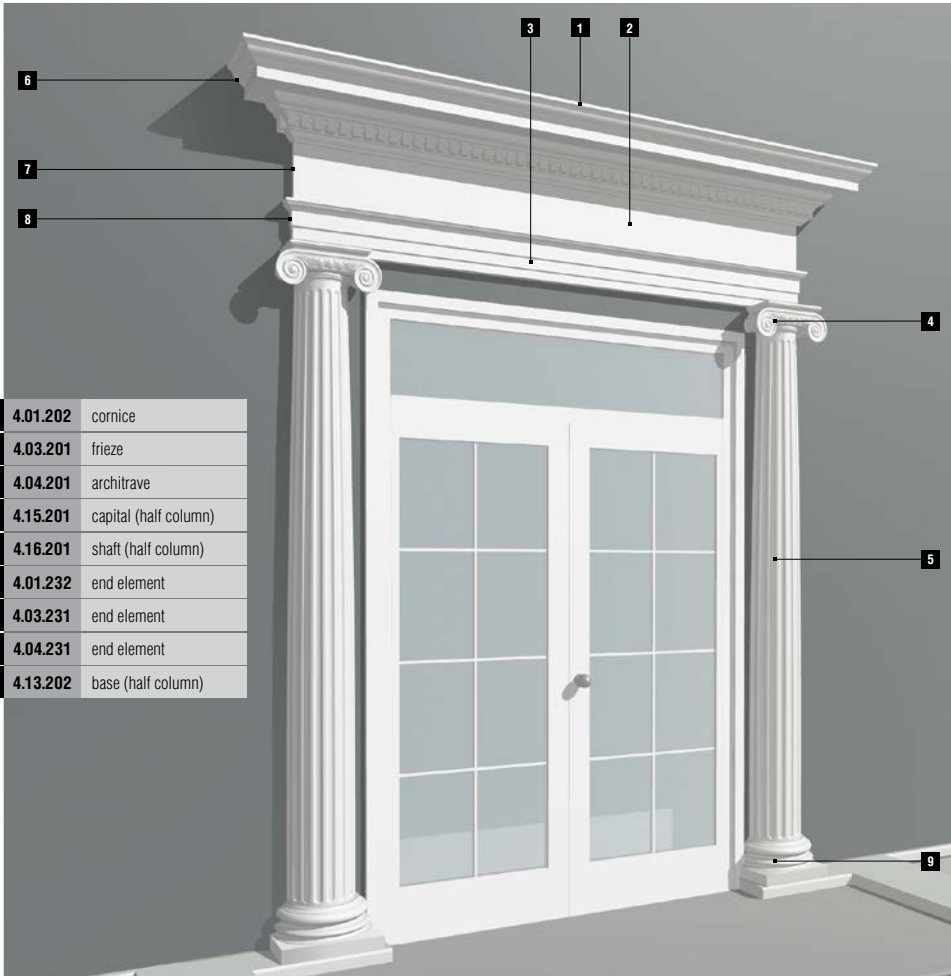
1	4.01.103	cornice
2	4.05.101	mutule
3	4.04.101	architrave
4	4.06.101	triglyph
5	4.07.101	reglet
6	4.01.133	end element
7	4.03.131	end element
8	4.03.101	frieze
9	4.04.131	end element
10	4.15.101	capital (half column)
11	4.16.102	shaft (half column)
12	4.17.101	base (half column)



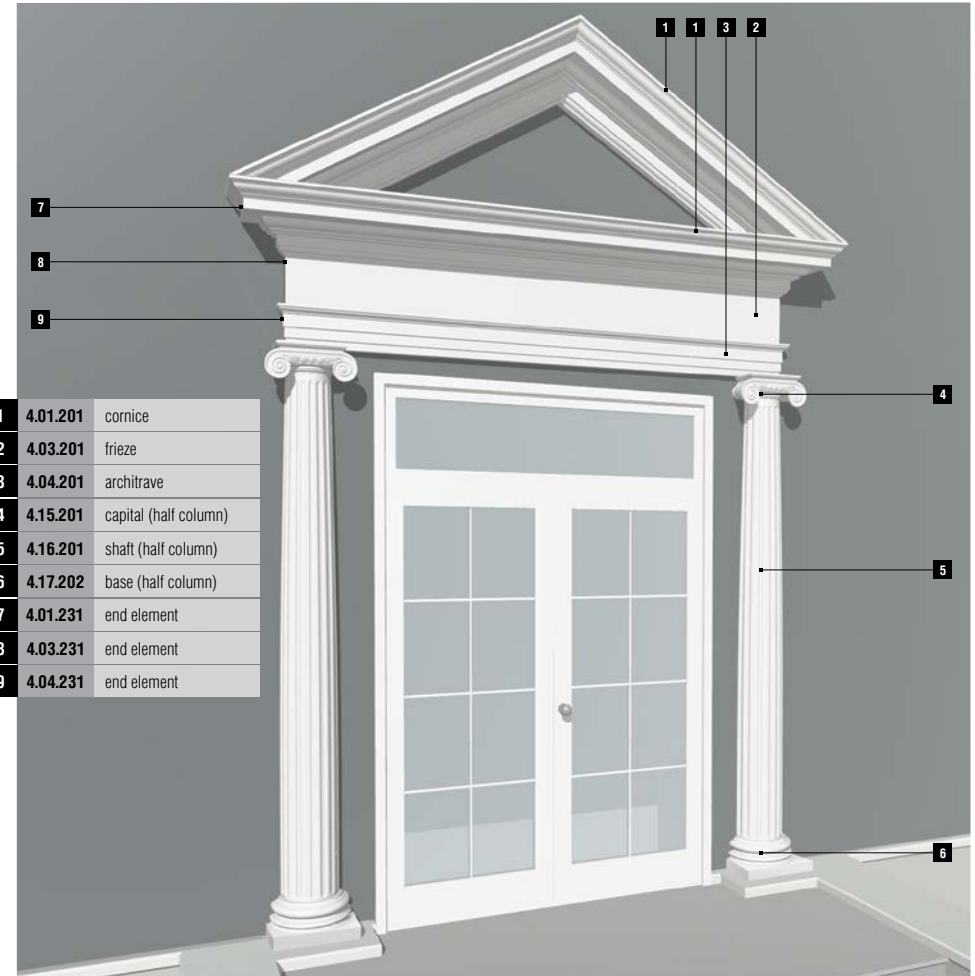
1	4.01.103	cornice
2	4.05.101	mutule
3	4.03.101	frieze
4	4.04.101	architrave
5	4.01.133	end element
6	4.03.131	end element
7	4.06.101	triglyph
8	4.07.101	reglet
9	4.15.101	capital (half column)
10	4.04.131	end element
11	4.16.102	shaft (half column)
12	4.17.101	base (half column)





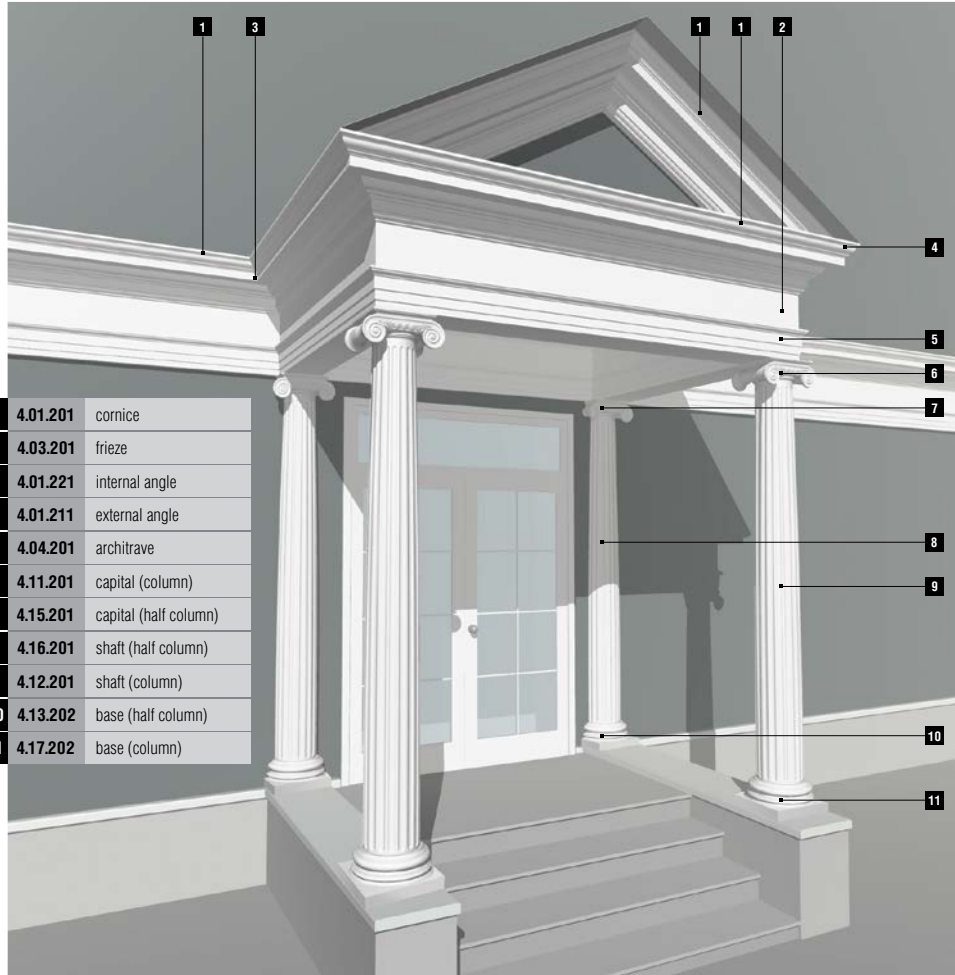


1	4.01.202	cornice
2	4.03.201	frieze
3	4.04.201	architrave
4	4.15.201	capital (half column)
5	4.16.201	shaft (half column)
6	4.01.232	end element
7	4.03.231	end element
8	4.04.231	end element
9	4.13.202	base (half column)

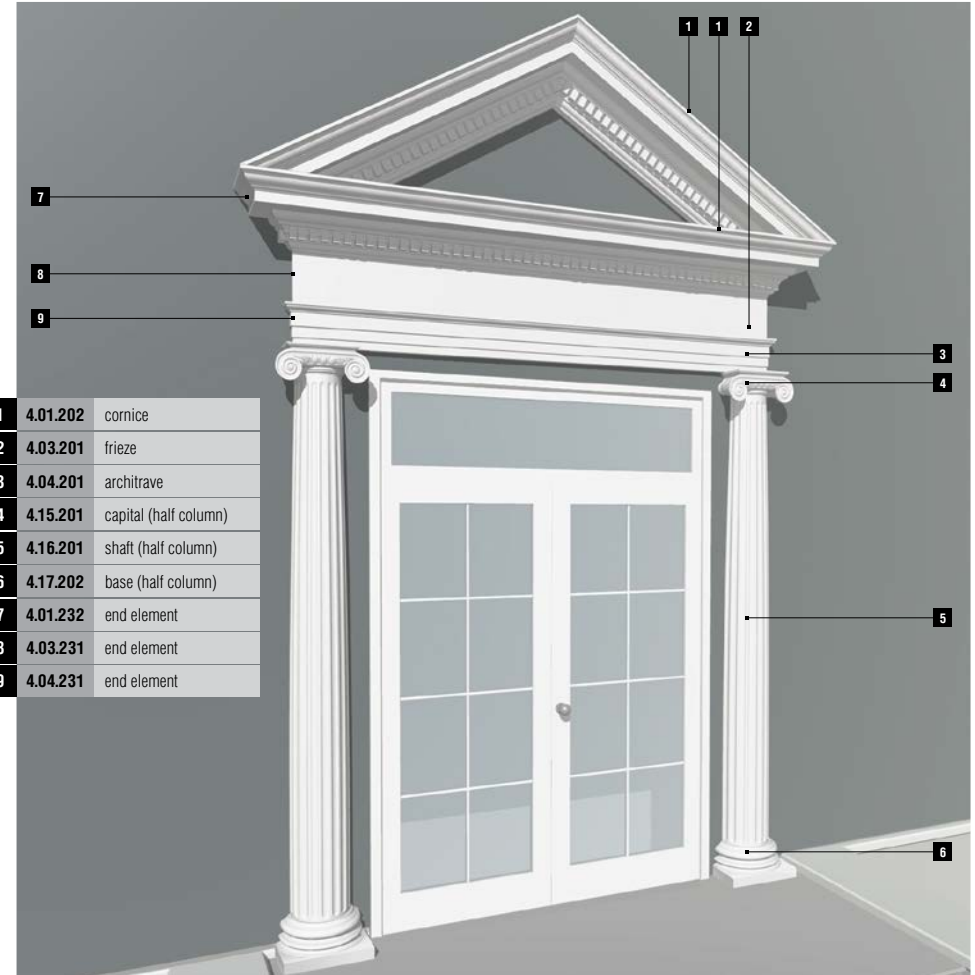


1	4.01.201	cornice
2	4.03.201	frieze
3	4.04.201	architrave
4	4.15.201	capital (half column)
5	4.16.201	shaft (half column)
6	4.17.202	base (half column)
7	4.01.231	end element
8	4.03.231	end element
9	4.04.231	end element

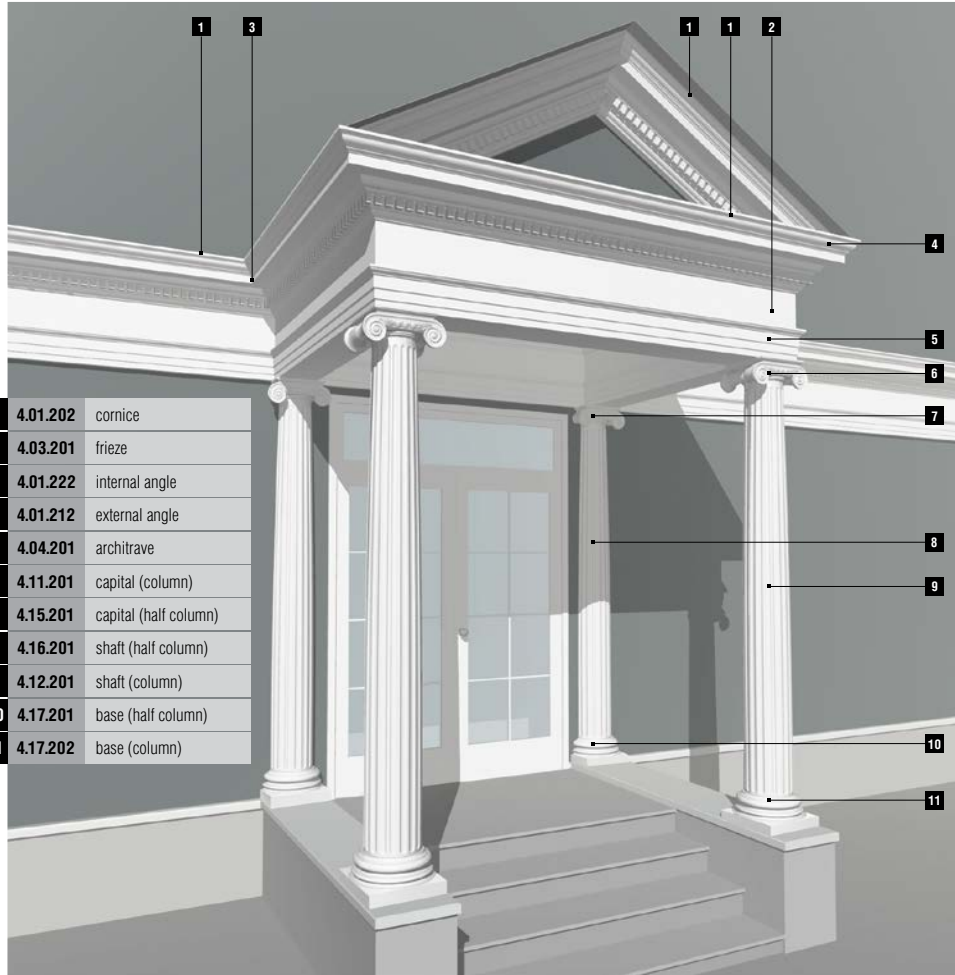




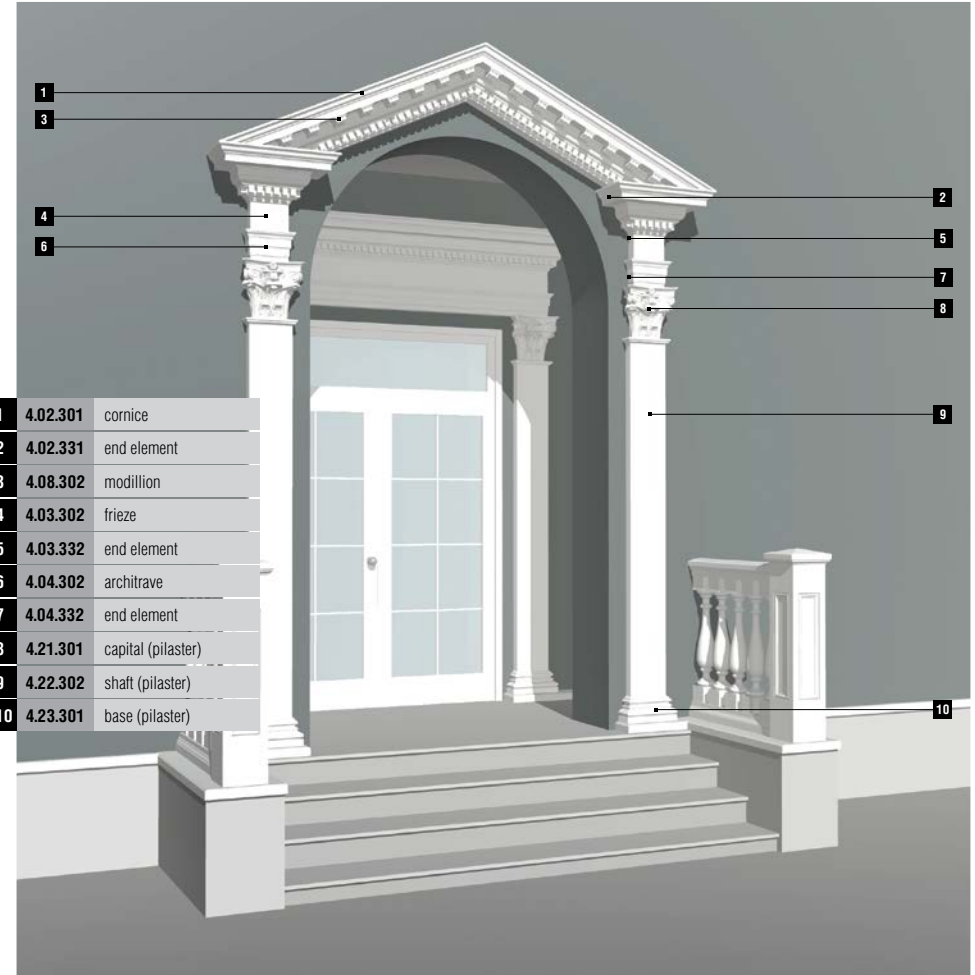
1	4.01.201	cornice
2	4.03.201	frieze
3	4.01.221	internal angle
4	4.01.211	external angle
5	4.04.201	architrave
6	4.11.201	capital (column)
7	4.15.201	capital (half column)
8	4.16.201	shaft (half column)
9	4.12.201	shaft (column)
10	4.13.202	base (half column)
11	4.17.202	base (column)



1	4.01.202	cornice
2	4.03.201	frieze
3	4.04.201	architrave
4	4.15.201	capital (half column)
5	4.16.201	shaft (half column)
6	4.17.202	base (half column)
7	4.01.232	end element
8	4.03.231	end element
9	4.04.231	end element

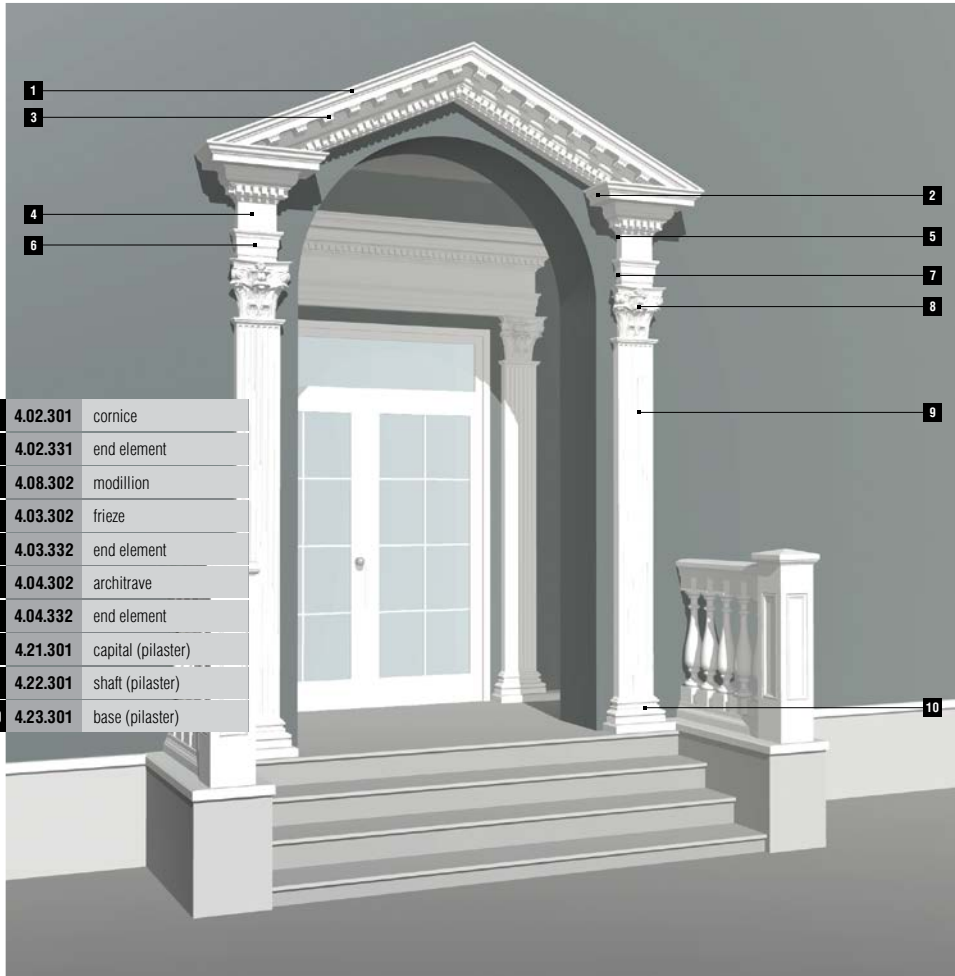


1	4.01.202	cornice
2	4.03.201	frieze
3	4.01.222	internal angle
4	4.01.212	external angle
5	4.04.201	architrave
6	4.11.201	capital (column)
7	4.15.201	capital (half column)
8	4.16.201	shaft (half column)
9	4.12.201	shaft (column)
10	4.17.201	base (half column)
11	4.17.202	base (column)

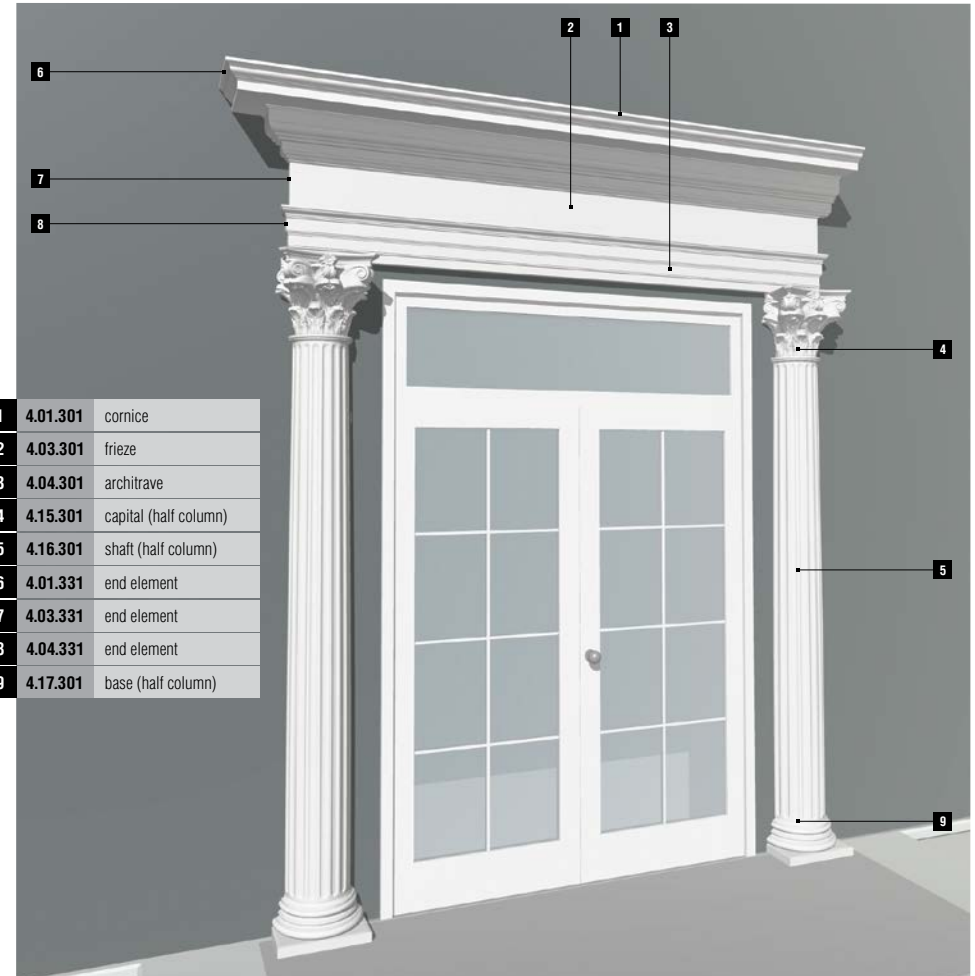


1	4.02.301	cornice
2	4.02.331	end element
3	4.08.302	modillion
4	4.03.302	frieze
5	4.03.332	end element
6	4.04.302	architrave
7	4.04.332	end element
8	4.21.301	capital (pilaster)
9	4.22.302	shaft (pilaster)
10	4.23.301	base (pilaster)

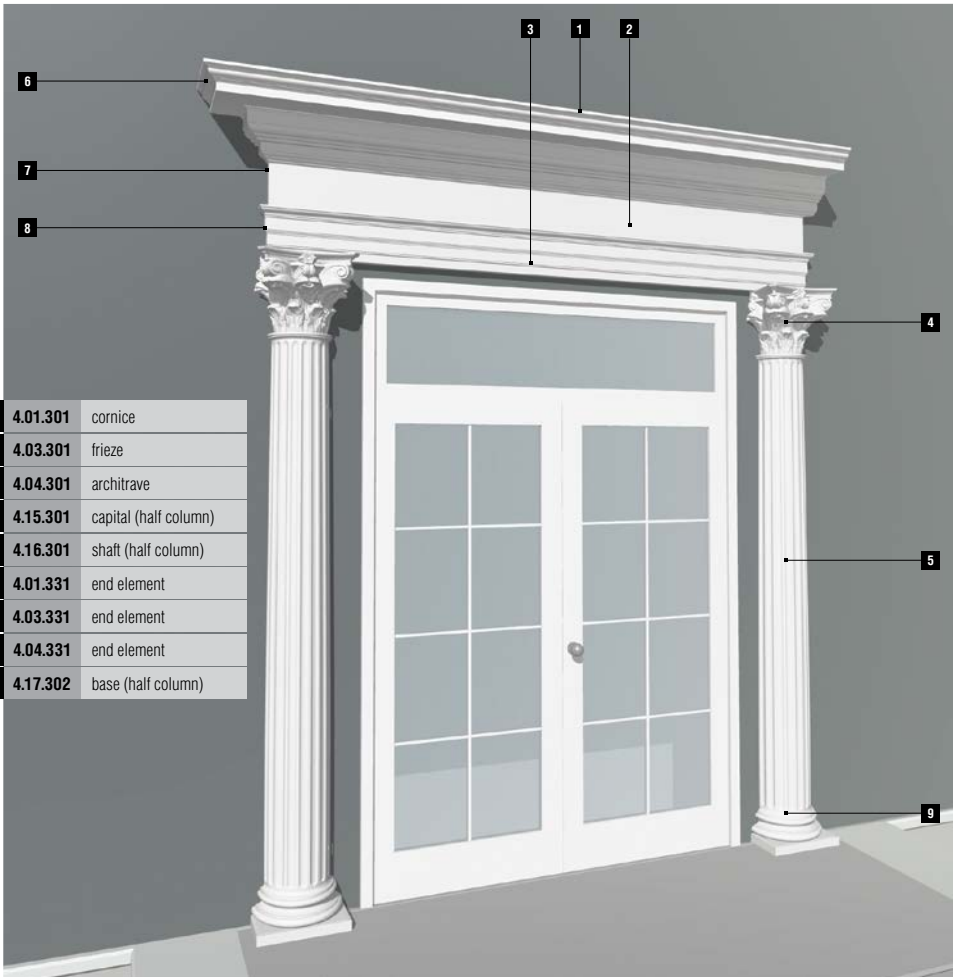




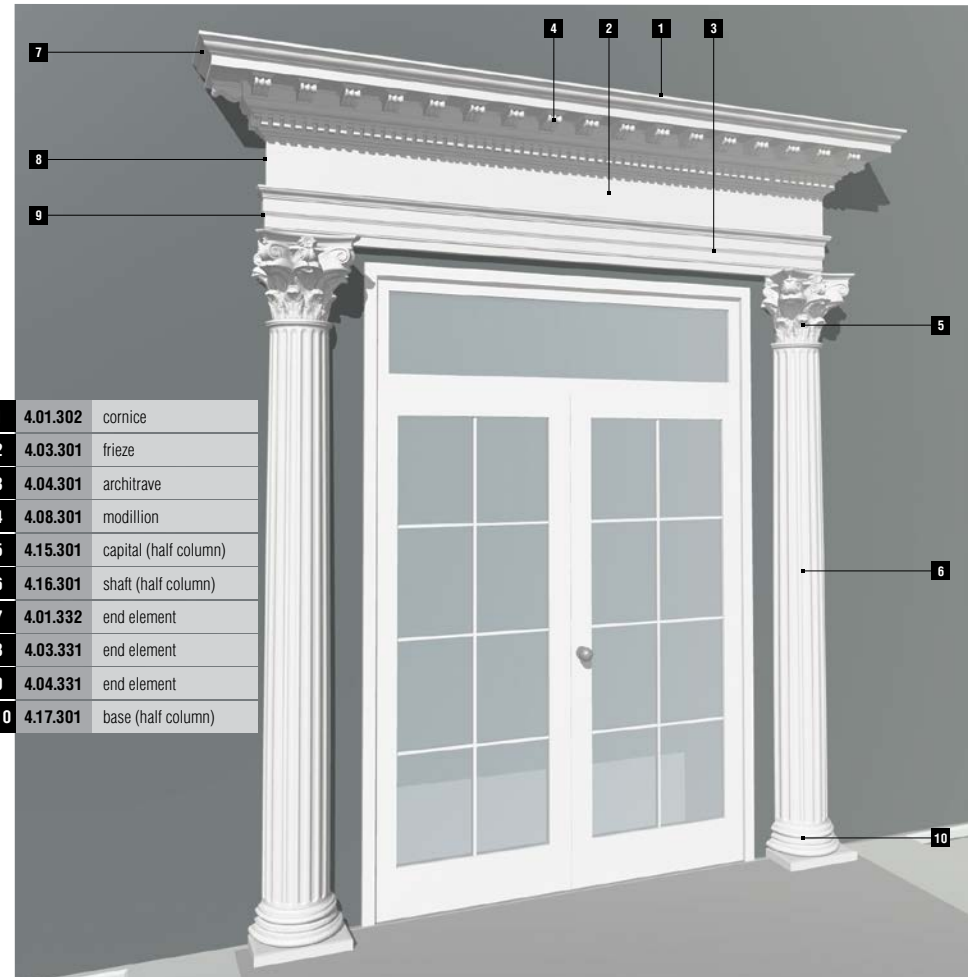
1	4.02.301	cornice
2	4.02.331	end element
3	4.08.302	modillion
4	4.03.302	frieze
5	4.03.332	end element
6	4.04.302	architrave
7	4.04.332	end element
8	4.21.301	capital (pilaster)
9	4.22.301	shaft (pilaster)
10	4.23.301	base (pilaster)



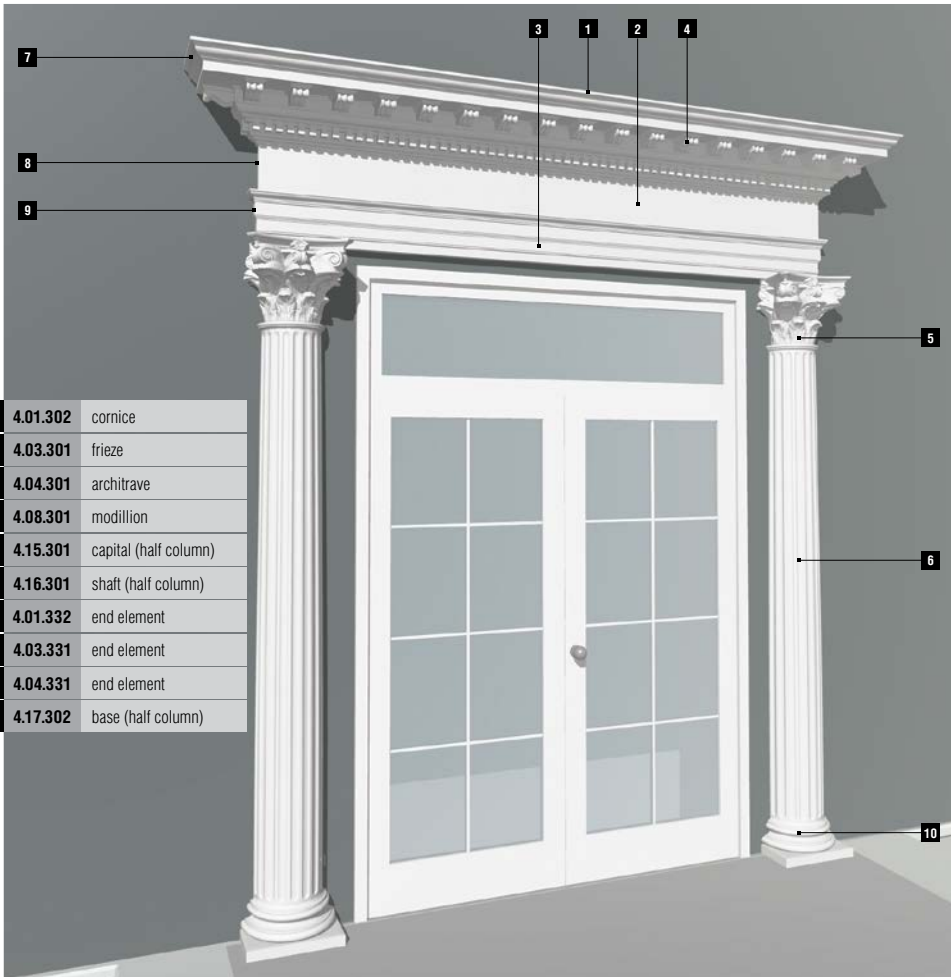
1	4.01.301	cornice
2	4.03.301	frieze
3	4.04.301	architrave
4	4.15.301	capital (half column)
5	4.16.301	shaft (half column)
6	4.01.331	end element
7	4.03.331	end element
8	4.04.331	end element
9	4.17.301	base (half column)



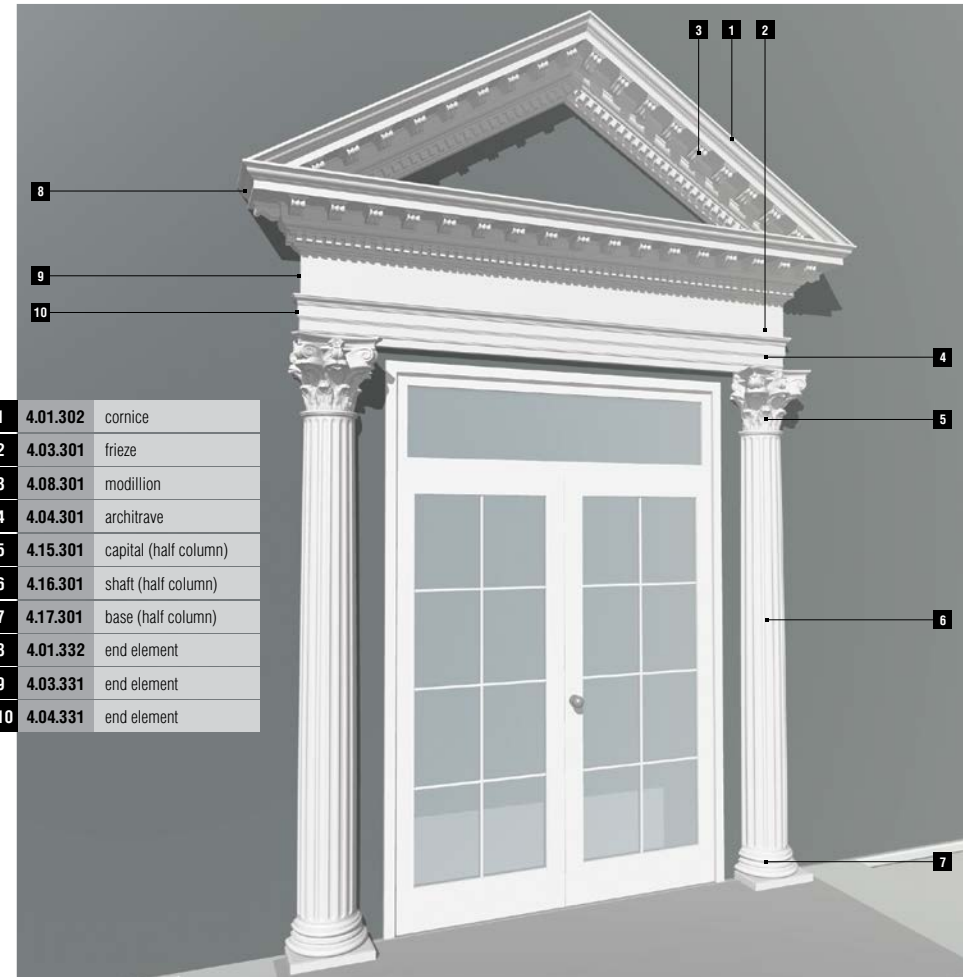
1	4.01.301	cornice
2	4.03.301	frieze
3	4.04.301	architrave
4	4.15.301	capital (half column)
5	4.16.301	shaft (half column)
6	4.01.331	end element
7	4.03.331	end element
8	4.04.331	end element
9	4.17.302	base (half column)



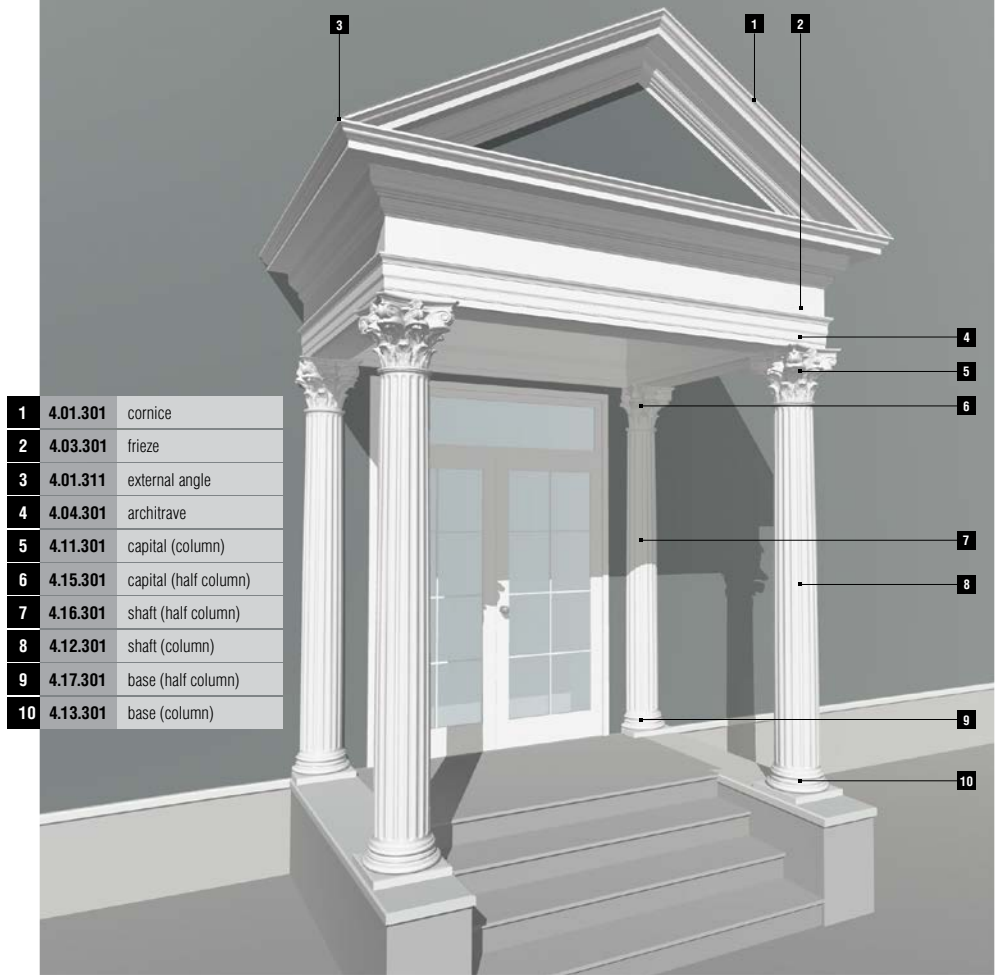
1	4.01.302	cornice
2	4.03.301	frieze
3	4.04.301	architrave
4	4.08.301	modillion
5	4.15.301	capital (half column)
6	4.16.301	shaft (half column)
7	4.01.332	end element
8	4.03.331	end element
9	4.04.331	end element
10	4.17.301	base (half column)



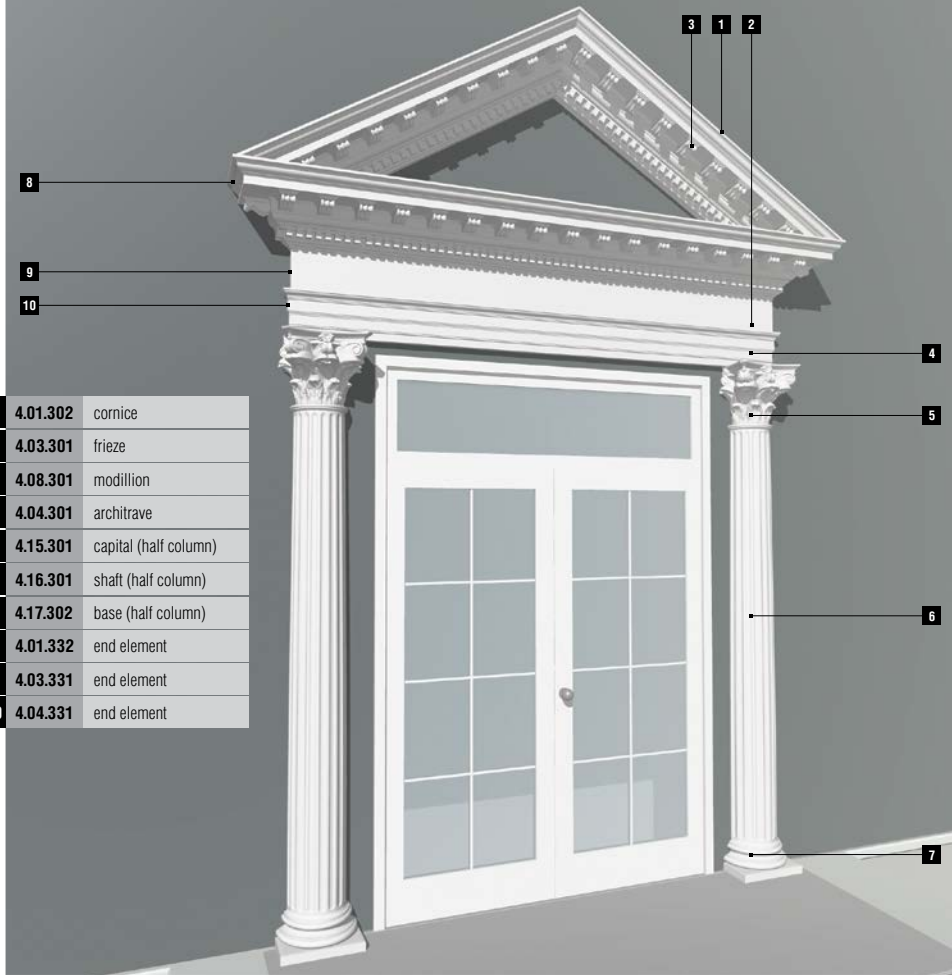
1	4.01.302	cornice
2	4.03.301	frieze
3	4.04.301	architrave
4	4.08.301	modillion
5	4.15.301	capital (half column)
6	4.16.301	shaft (half column)
7	4.01.332	end element
8	4.03.331	end element
9	4.04.331	end element
10	4.17.302	base (half column)



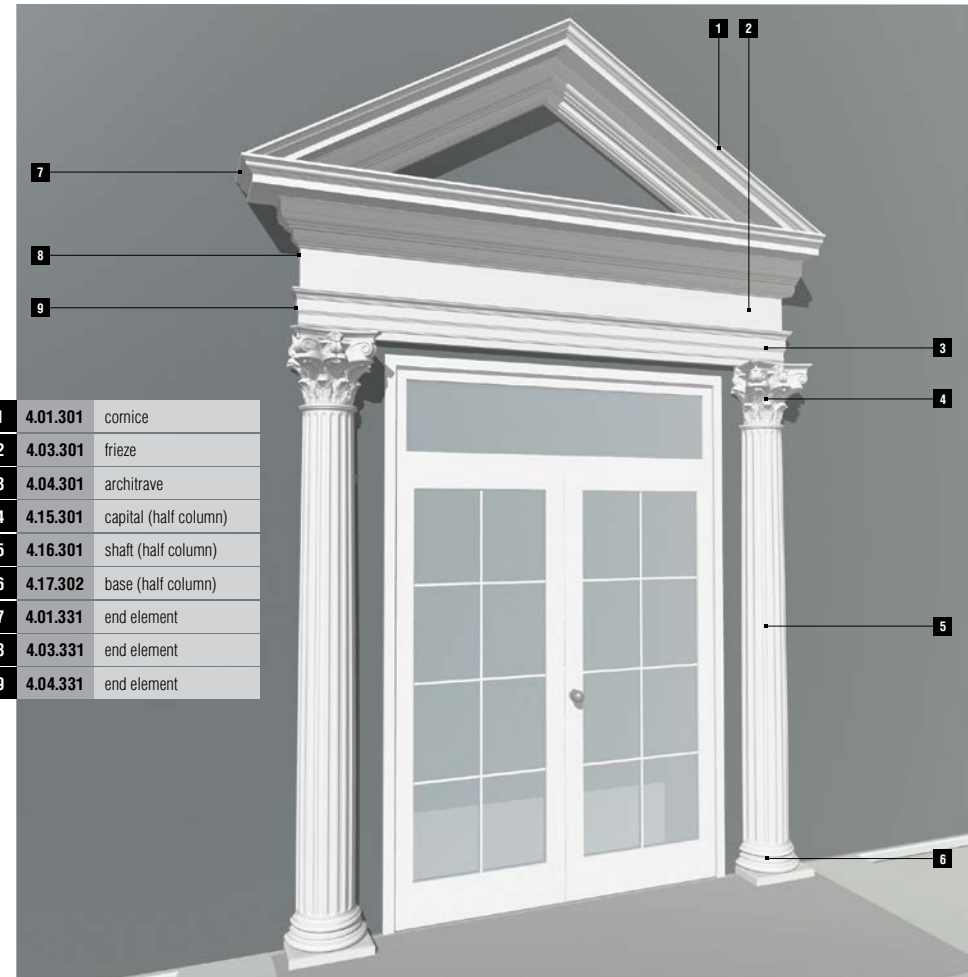
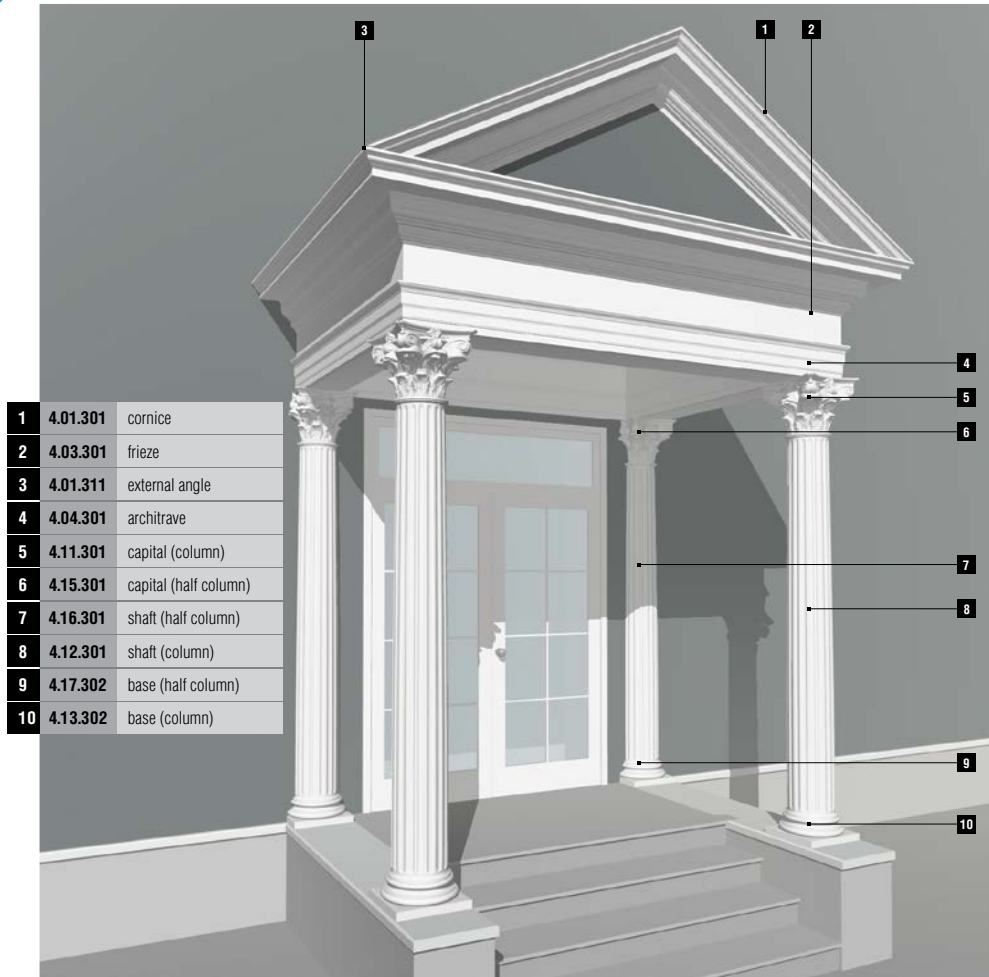
1	4.01.302	cornice
2	4.03.301	frieze
3	4.08.301	modillion
4	4.04.301	architrave
5	4.15.301	capital (half column)
6	4.16.301	shaft (half column)
7	4.17.301	base (half column)
8	4.01.332	end element
9	4.03.331	end element
10	4.04.331	end element

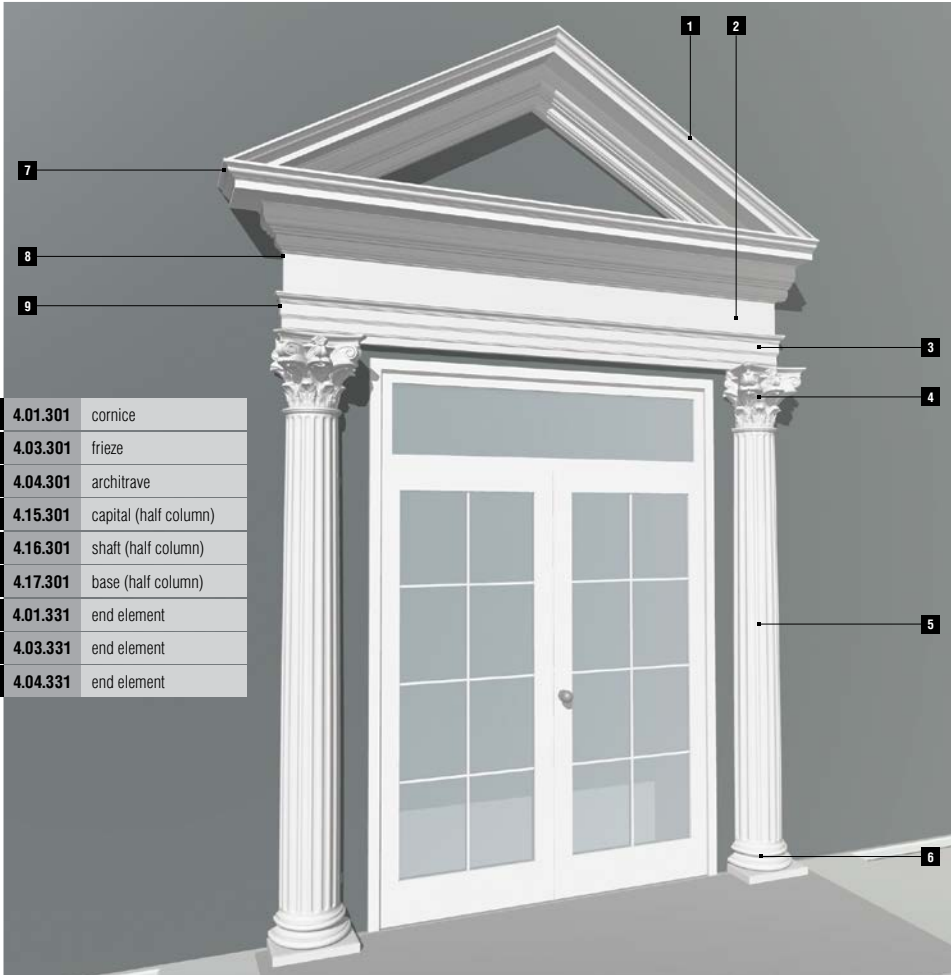


1	4.01.301	cornice
2	4.03.301	frieze
3	4.01.311	external angle
4	4.04.301	architrave
5	4.11.301	capital (column)
6	4.15.301	capital (half column)
7	4.16.301	shaft (half column)
8	4.12.301	shaft (column)
9	4.17.301	base (half column)
10	4.13.301	base (column)

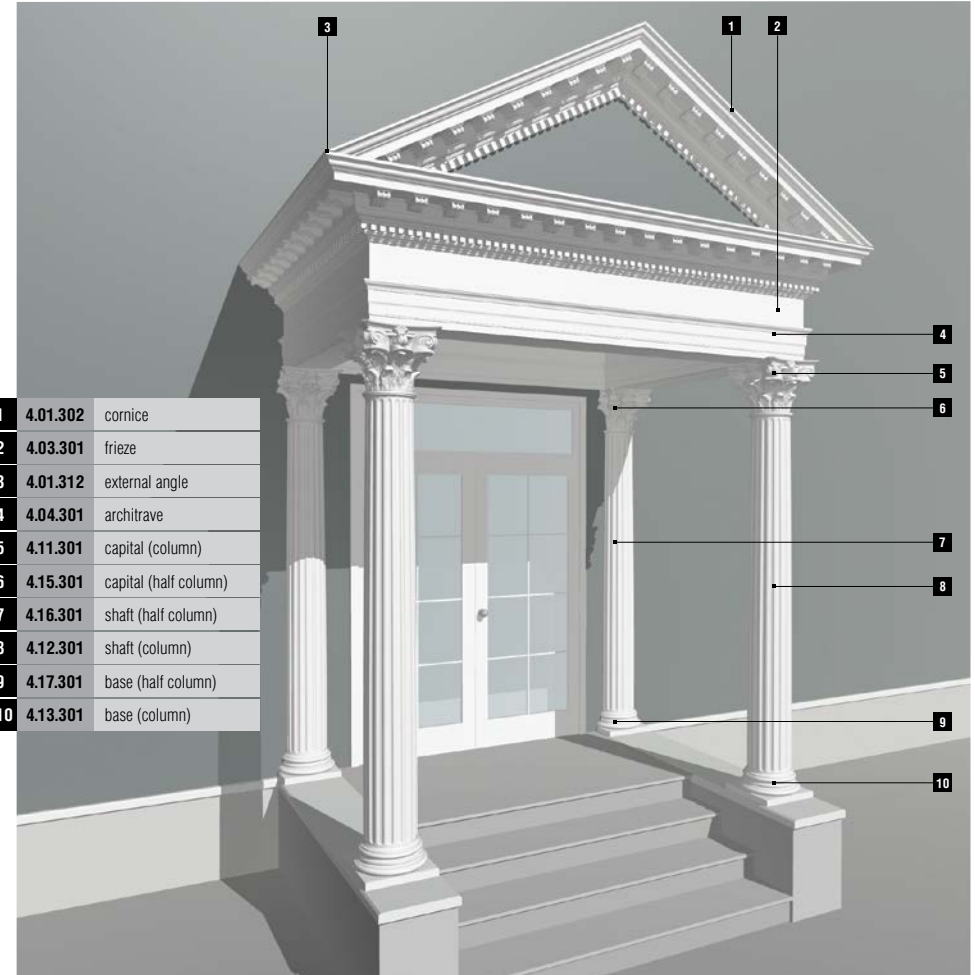


1	4.01.302	cornice
2	4.03.301	frieze
3	4.08.301	modillion
4	4.04.301	architrave
5	4.15.301	capital (half column)
6	4.16.301	shaft (half column)
7	4.17.302	base (half column)
8	4.01.332	end element
9	4.03.331	end element
10	4.04.331	end element



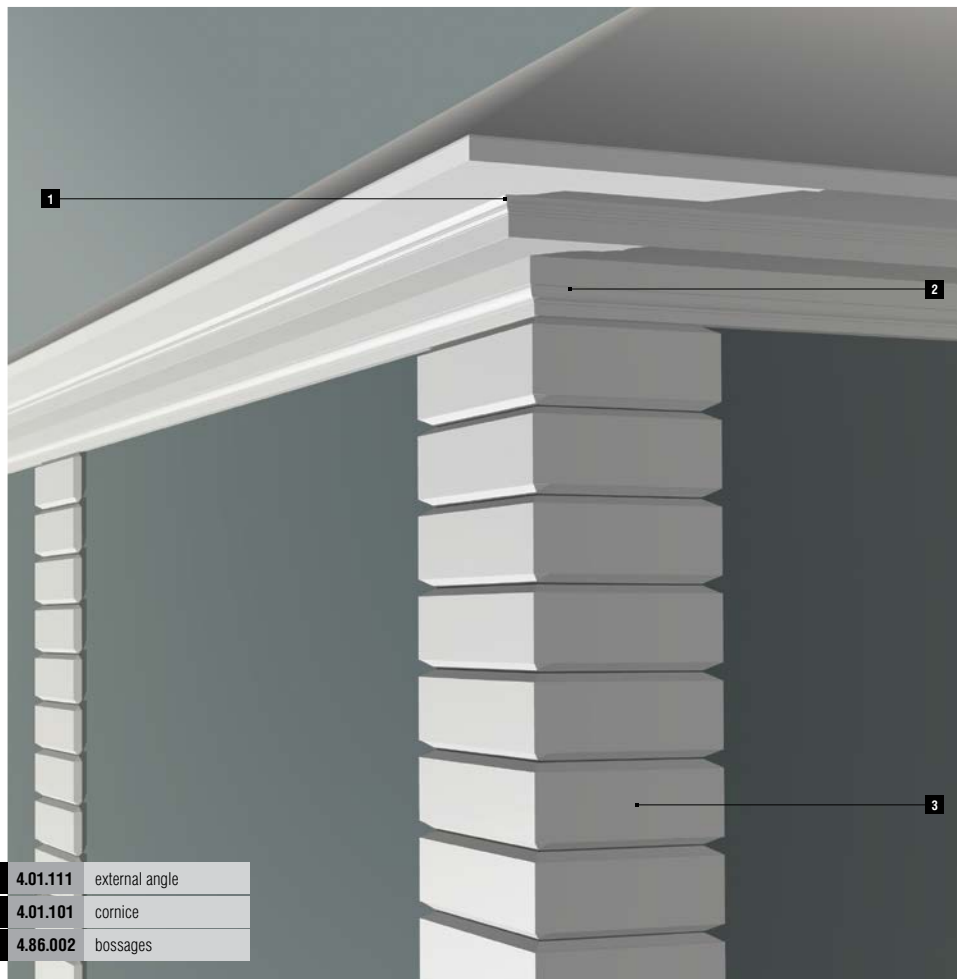


1	4.01.301	cornice
2	4.03.301	frieze
3	4.04.301	architrave
4	4.15.301	capital (half column)
5	4.16.301	shaft (half column)
6	4.17.301	base (half column)
7	4.01.331	end element
8	4.03.331	end element
9	4.04.331	end element

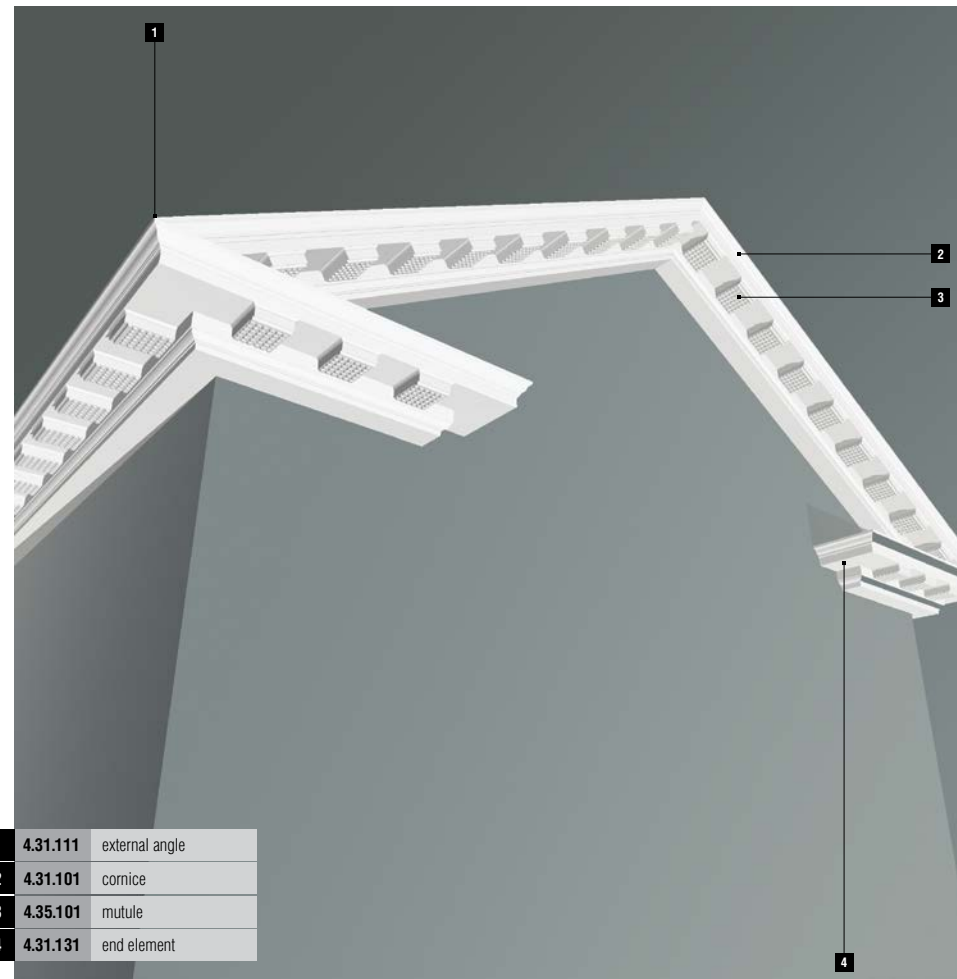


1	4.01.302	cornice
2	4.03.301	frieze
3	4.01.312	external angle
4	4.04.301	architrave
5	4.11.301	capital (column)
6	4.15.301	capital (half column)
7	4.16.301	shaft (half column)
8	4.12.301	shaft (column)
9	4.17.301	base (half column)
10	4.13.301	base (column)

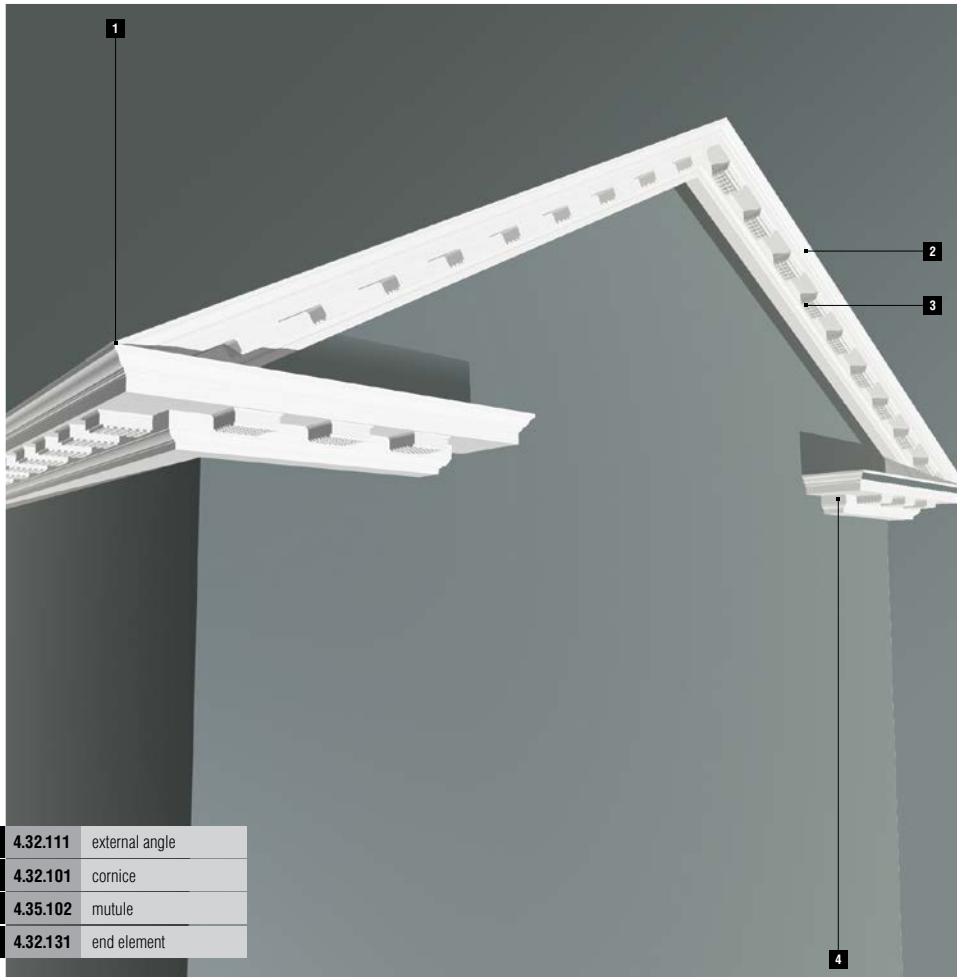




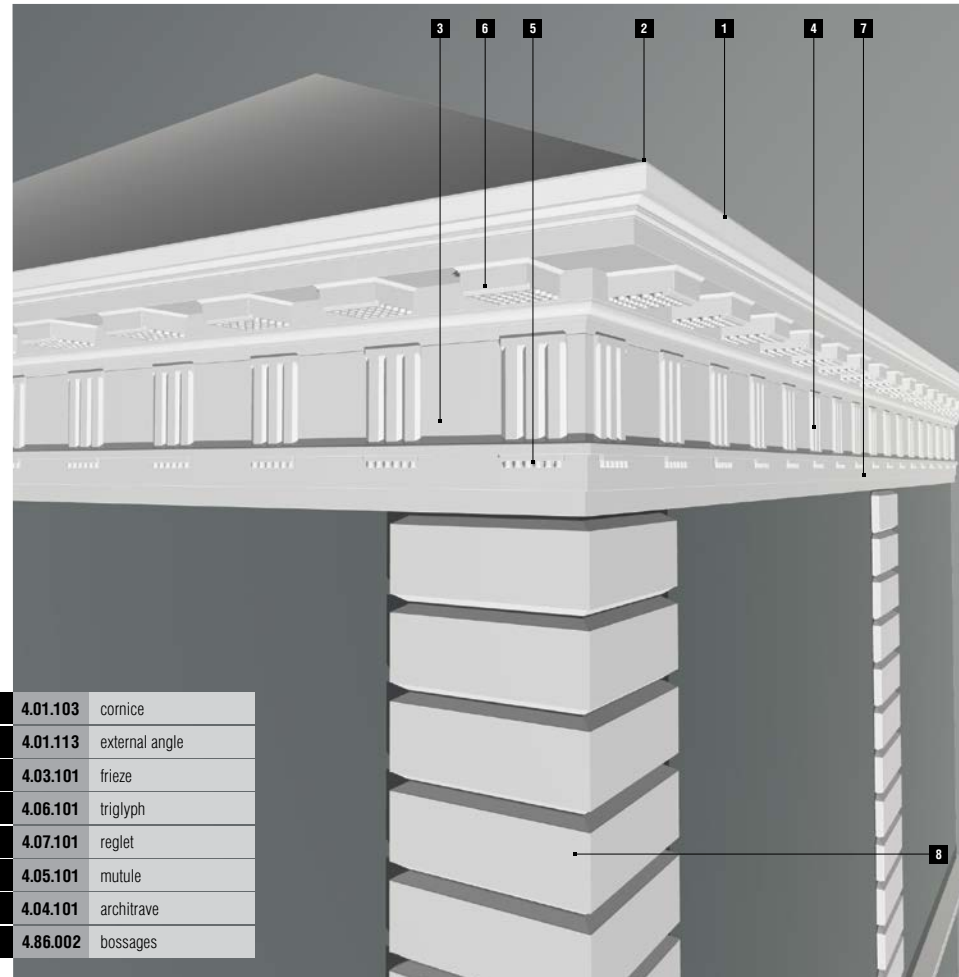
1	4.01.111	external angle
2	4.01.101	cornice
3	4.86.002	bossages



1	4.31.111	external angle
2	4.31.101	cornice
3	4.35.101	mutule
4	4.31.131	end element

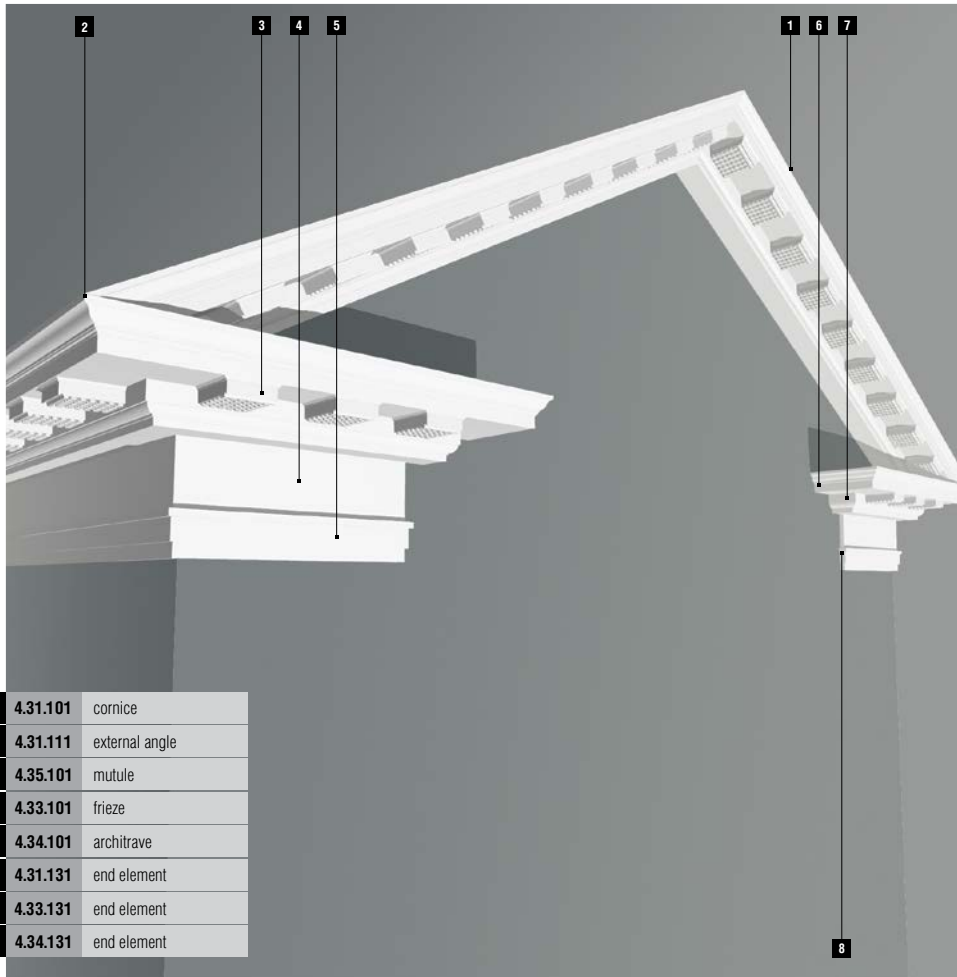


1	4.32.111	external angle
2	4.32.101	cornice
3	4.35.102	mutule
4	4.32.131	end element

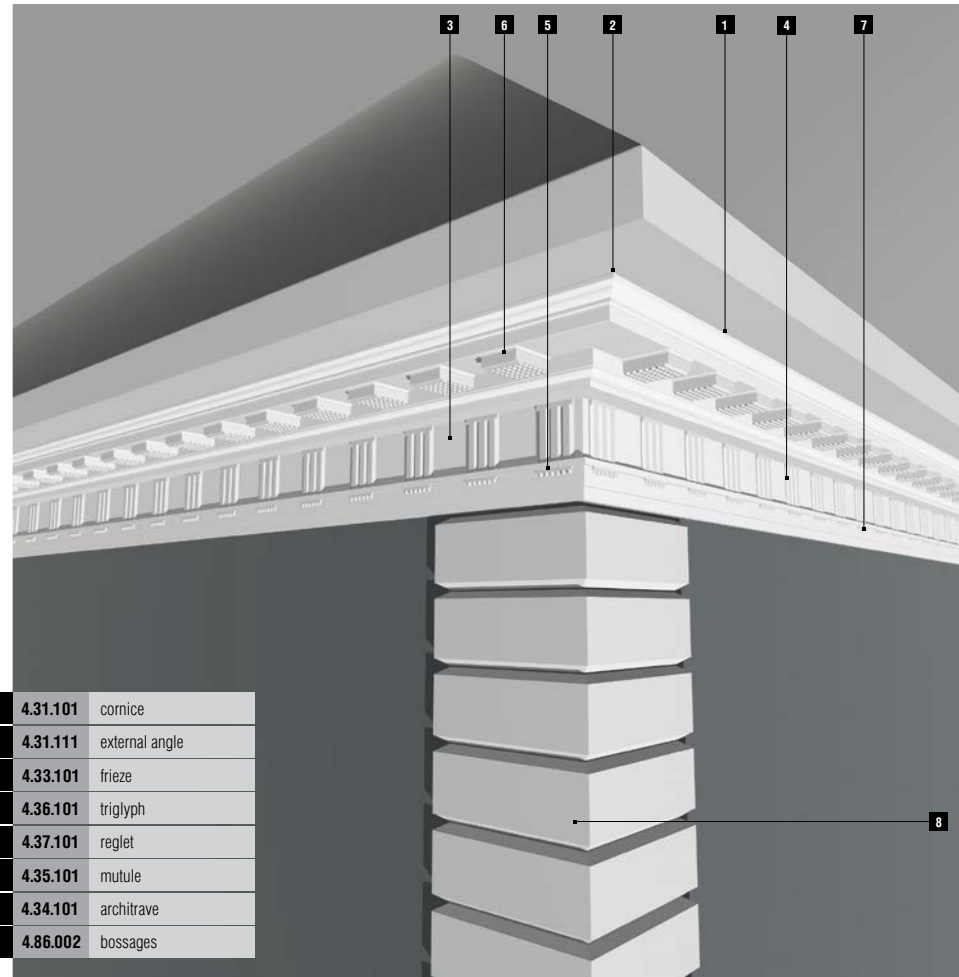


1	4.01.103	cornice
2	4.01.113	external angle
3	4.03.101	frieze
4	4.06.101	triglyph
5	4.07.101	reglet
6	4.05.101	mutule
7	4.04.101	architrave
8	4.86.002	bossages



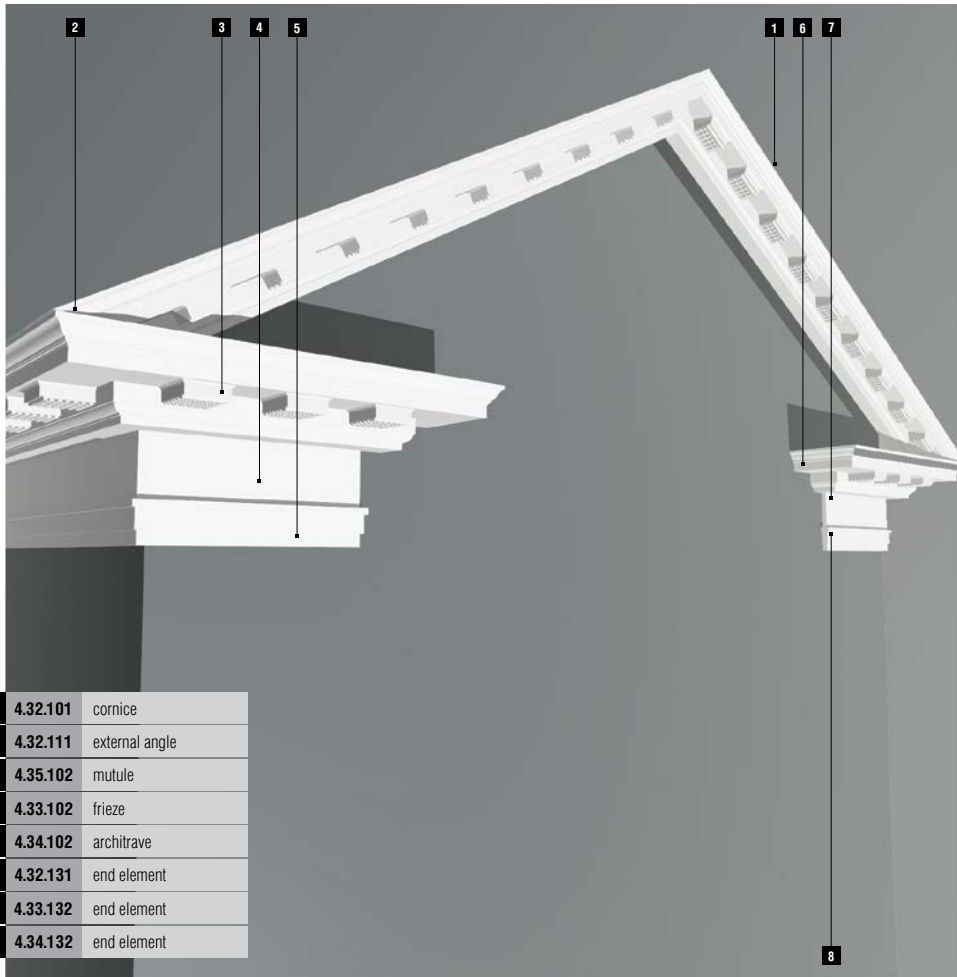


1	4.31.101	cornice
2	4.31.111	external angle
3	4.35.101	mutule
4	4.33.101	frieze
5	4.34.101	architrave
6	4.31.131	end element
7	4.33.131	end element
8	4.34.131	end element



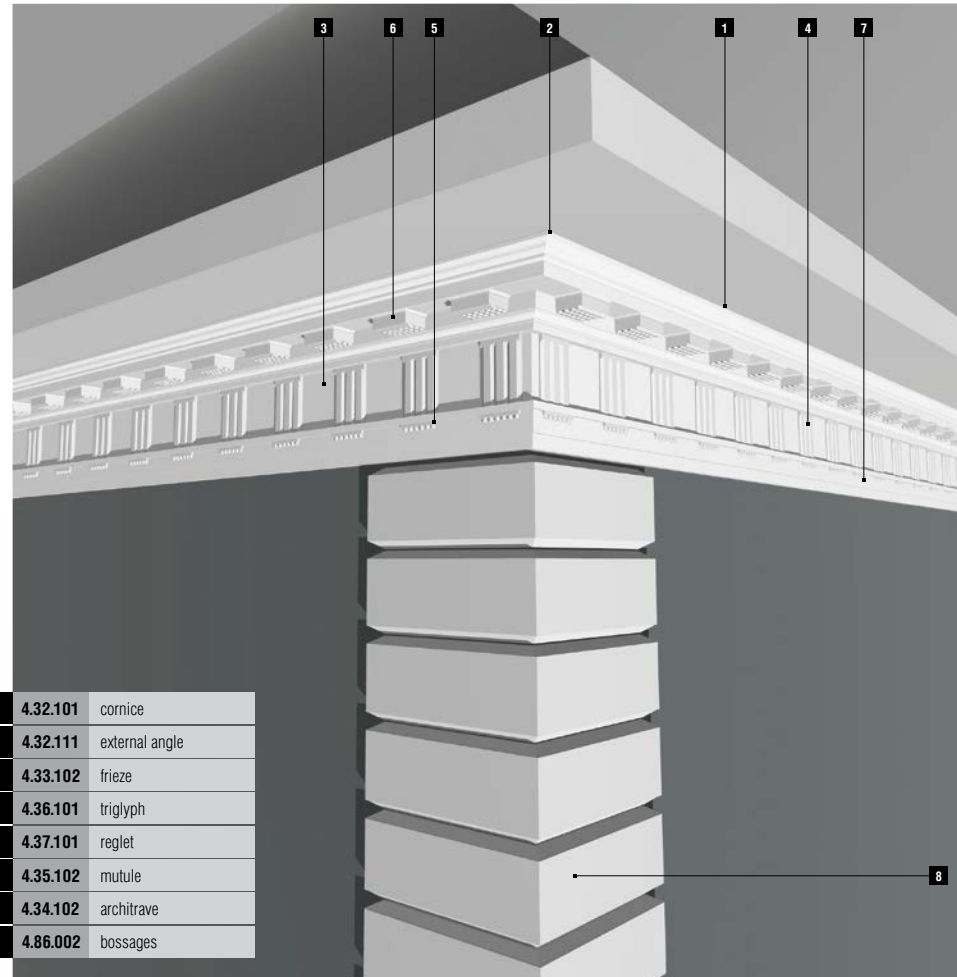
1	4.31.101	cornice
2	4.31.111	external angle
3	4.33.101	frieze
4	4.36.101	triglyph
5	4.37.101	reglet
6	4.35.101	mutule
7	4.34.101	architrave
8	4.86.002	bossages

## main cornices

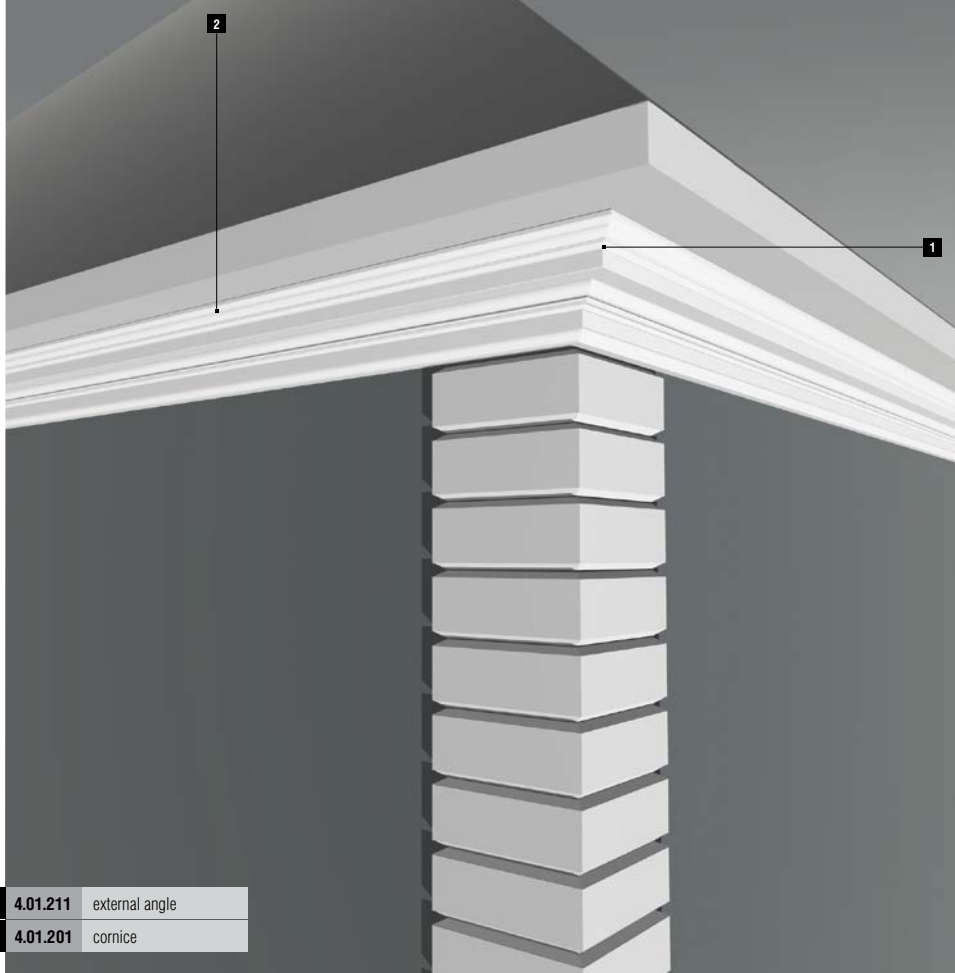


1	4.32.101	cornice
2	4.32.111	external angle
3	4.35.102	mutule
4	4.33.102	frieze
5	4.34.102	architrave
6	4.32.131	end element
7	4.33.132	end element
8	4.34.132	end element

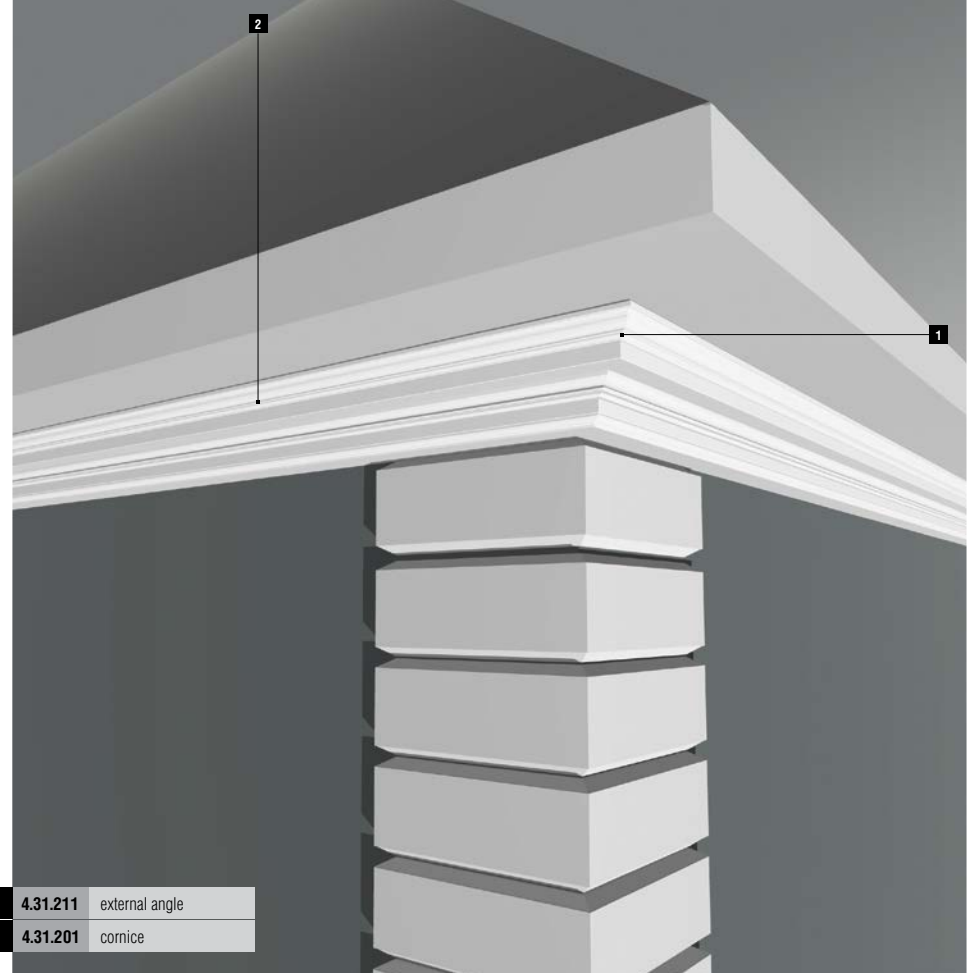
## examples



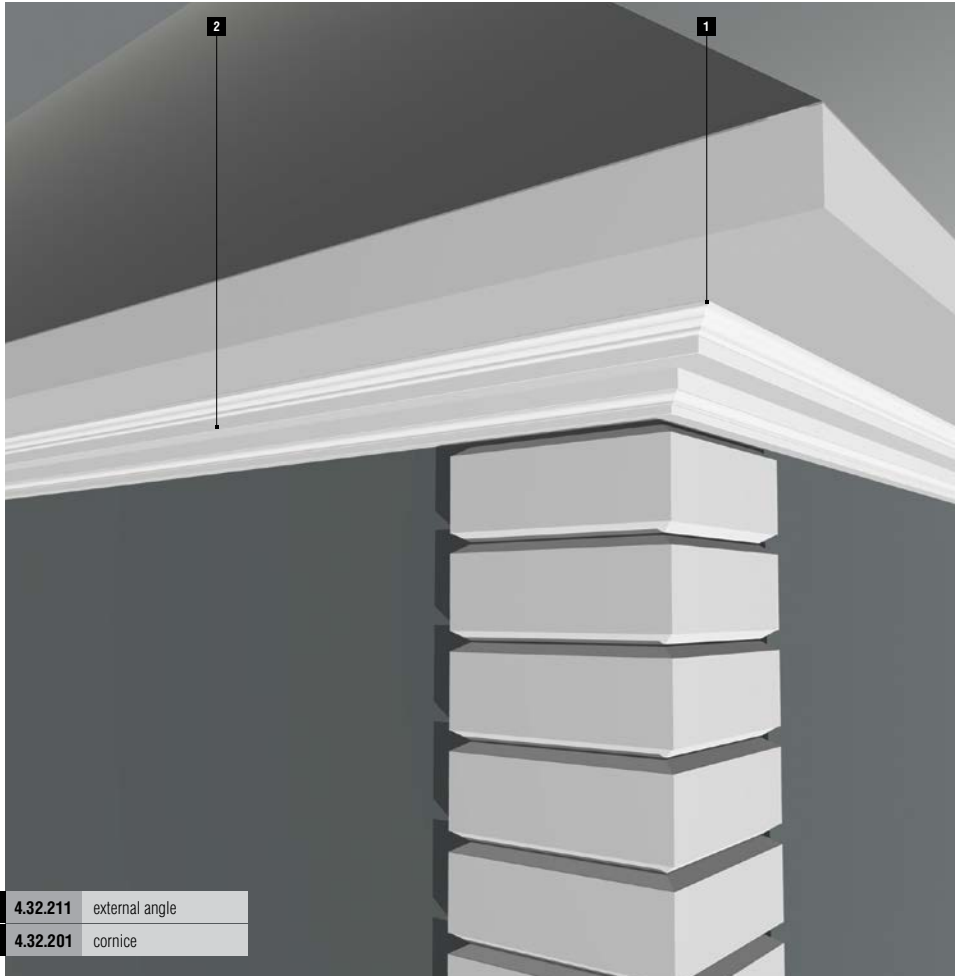
1	4.32.101	cornice
2	4.32.111	external angle
3	4.33.102	frieze
4	4.36.101	triglyph
5	4.37.101	reglet
6	4.35.102	mutule
7	4.34.102	architrave
8	4.86.002	bossages



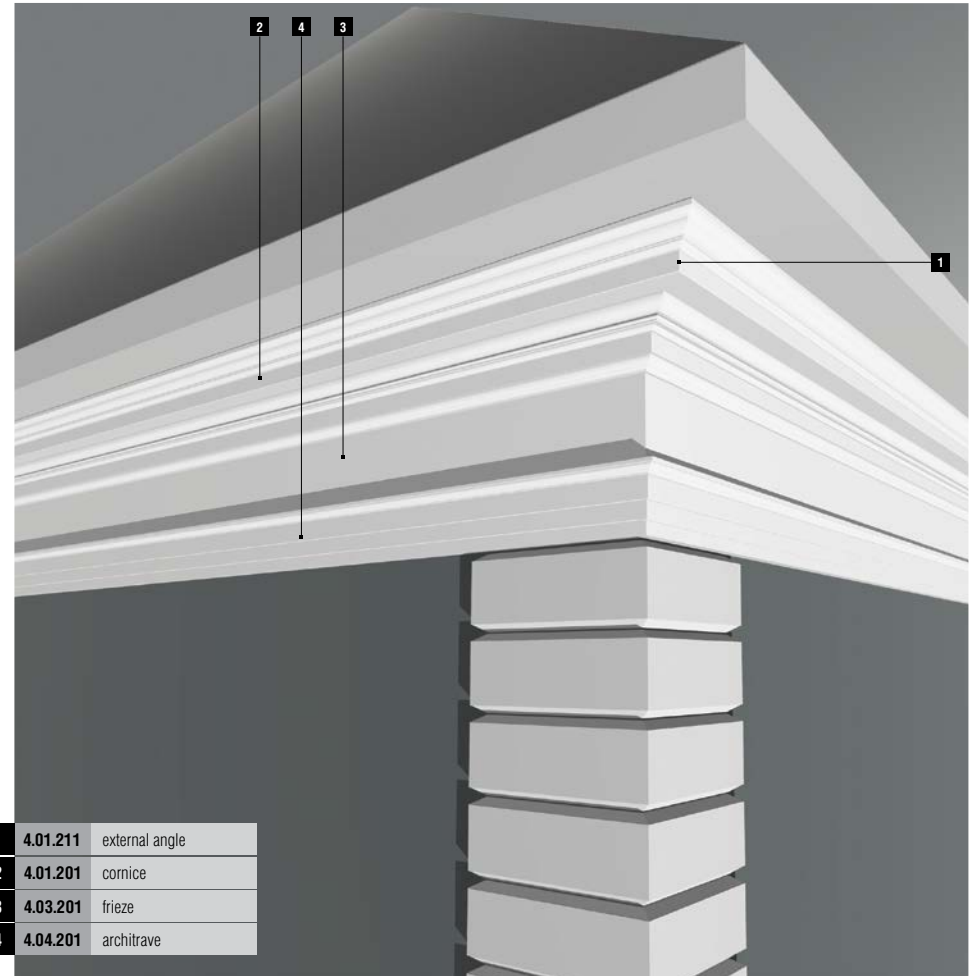
1	4.01.211	external angle
2	4.01.201	cornice



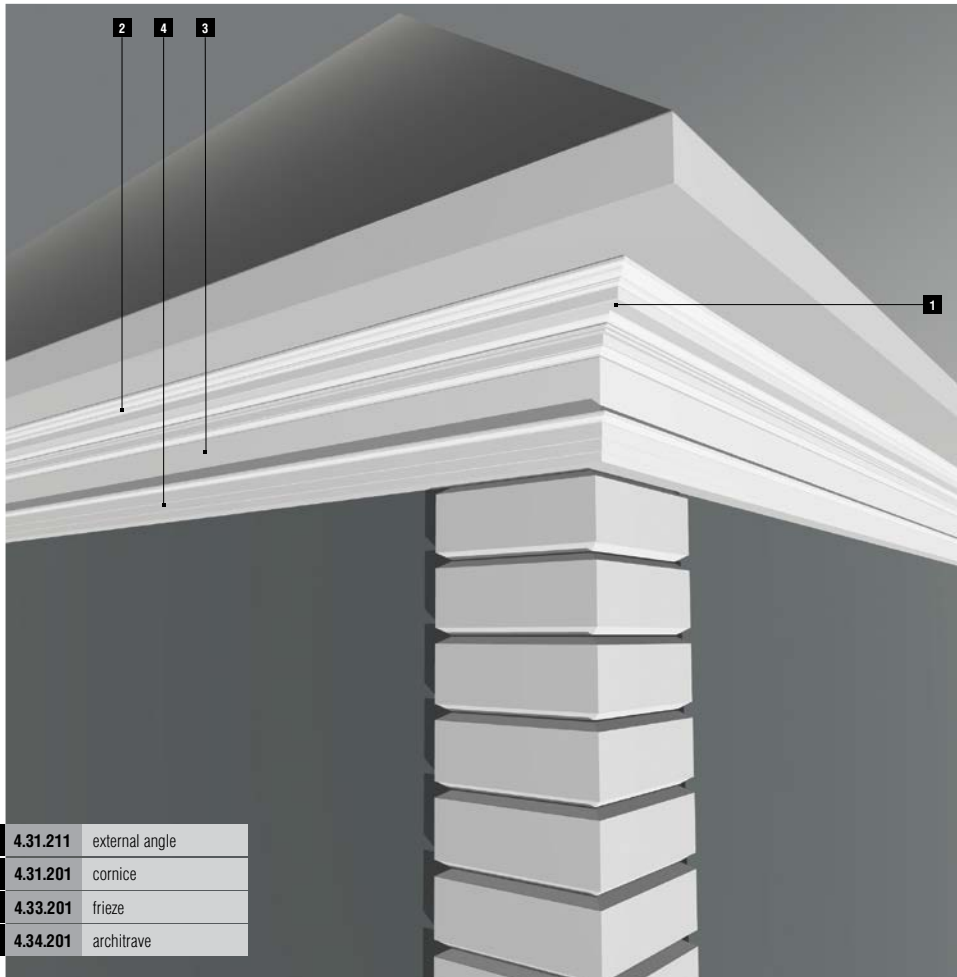
1	4.31.211	external angle
2	4.31.201	cornice



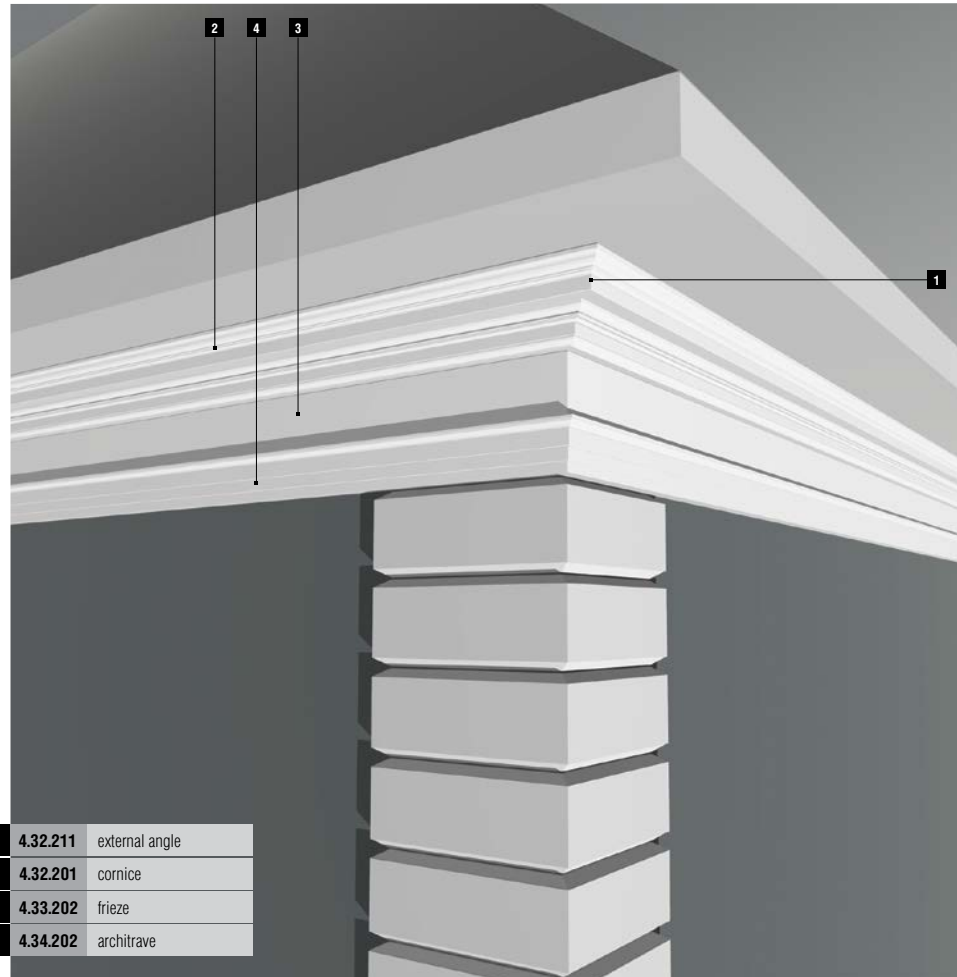
1	4.32.211	external angle
2	4.32.201	cornice



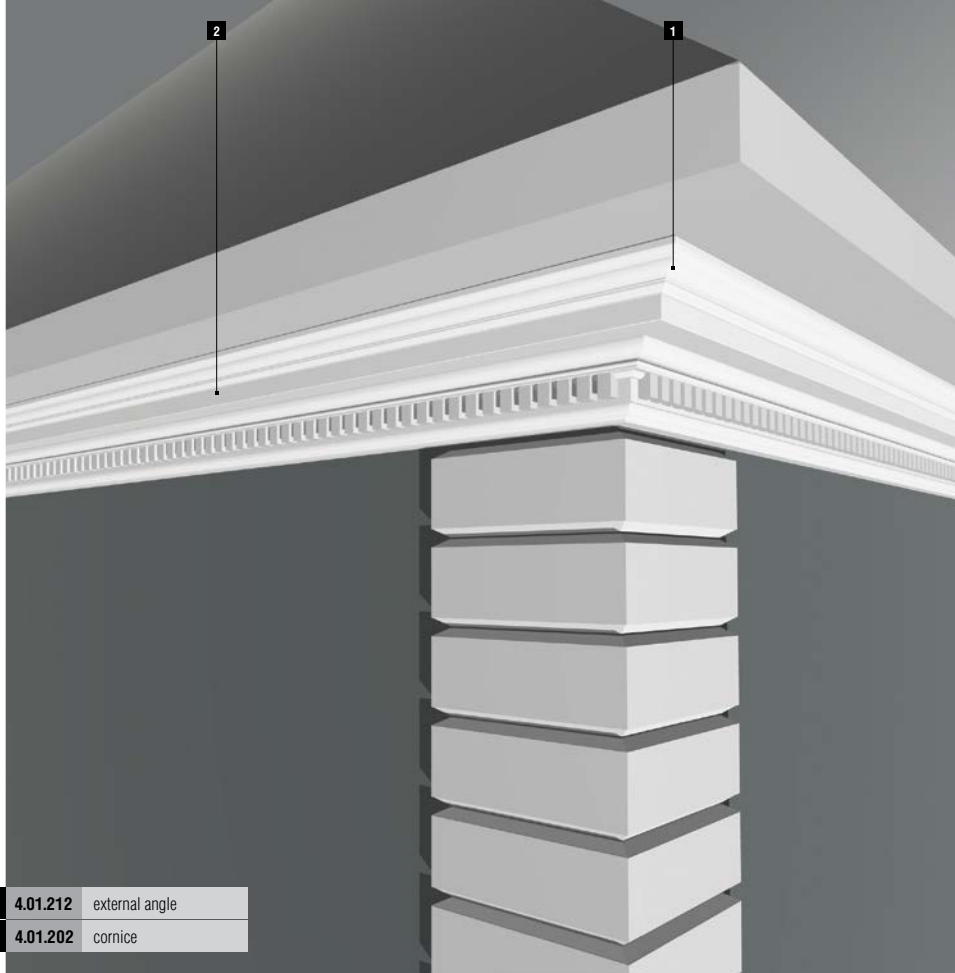
1	4.01.211	external angle
2	4.01.201	cornice
3	4.03.201	frieze
4	4.04.201	architrave



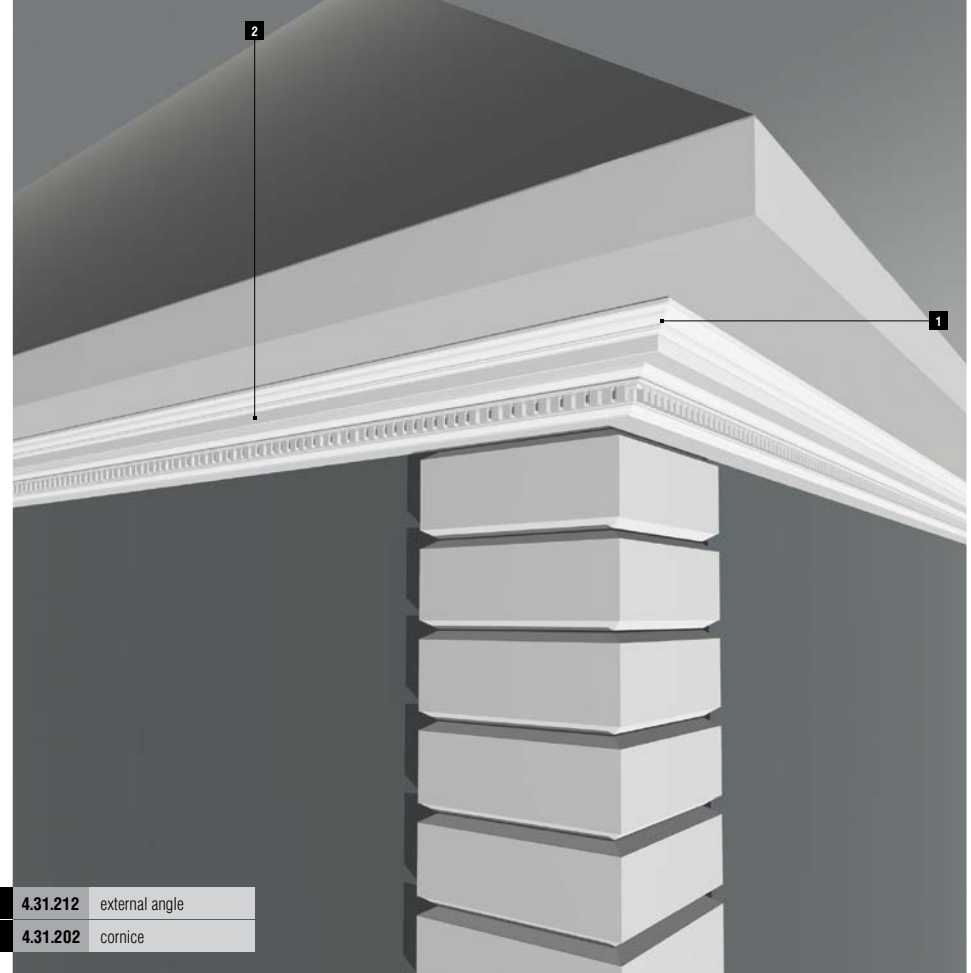
1	4.31.211	external angle
2	4.31.201	cornice
3	4.33.201	frieze
4	4.34.201	architrave



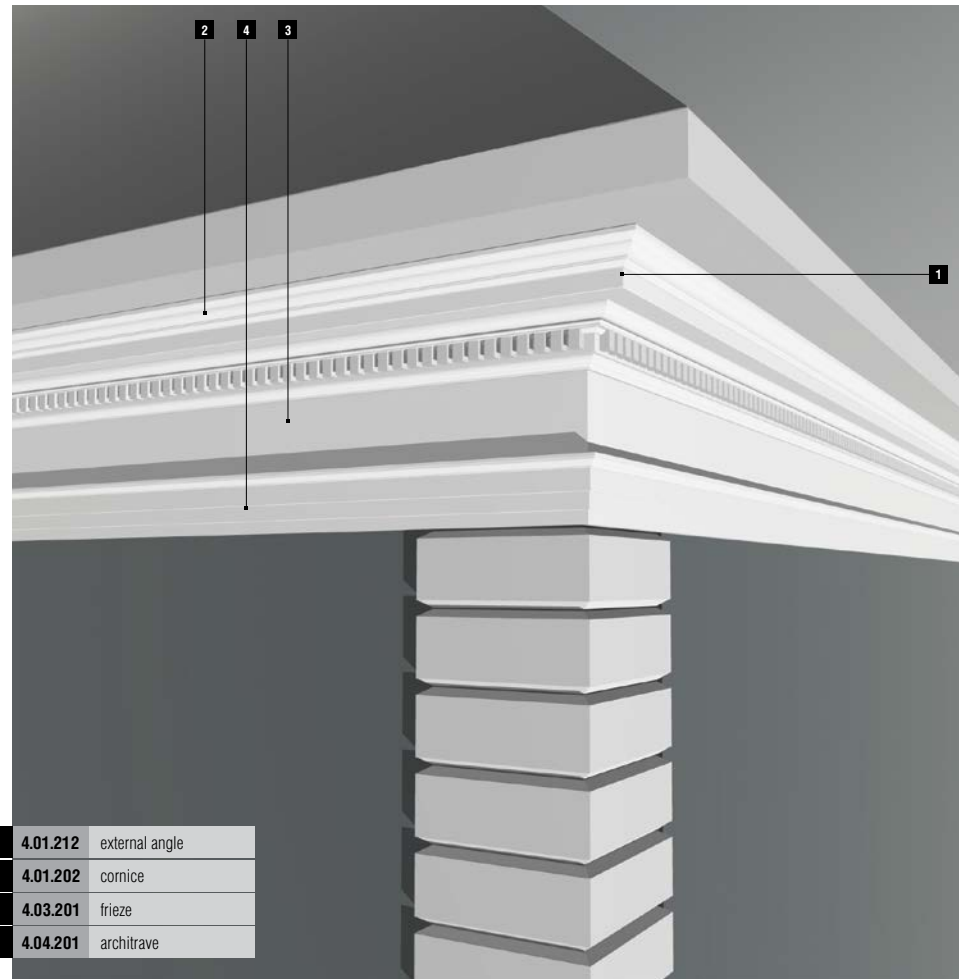
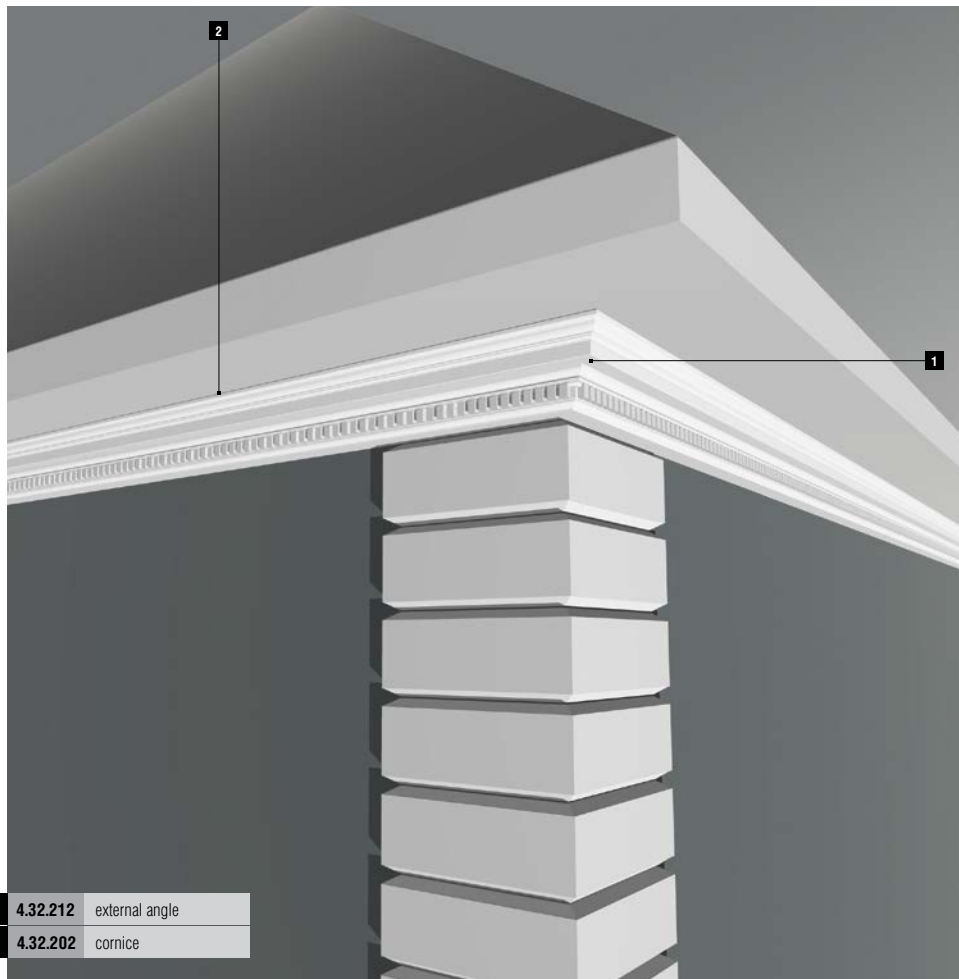
1	4.32.211	external angle
2	4.32.201	cornice
3	4.33.202	frieze
4	4.34.202	architrave

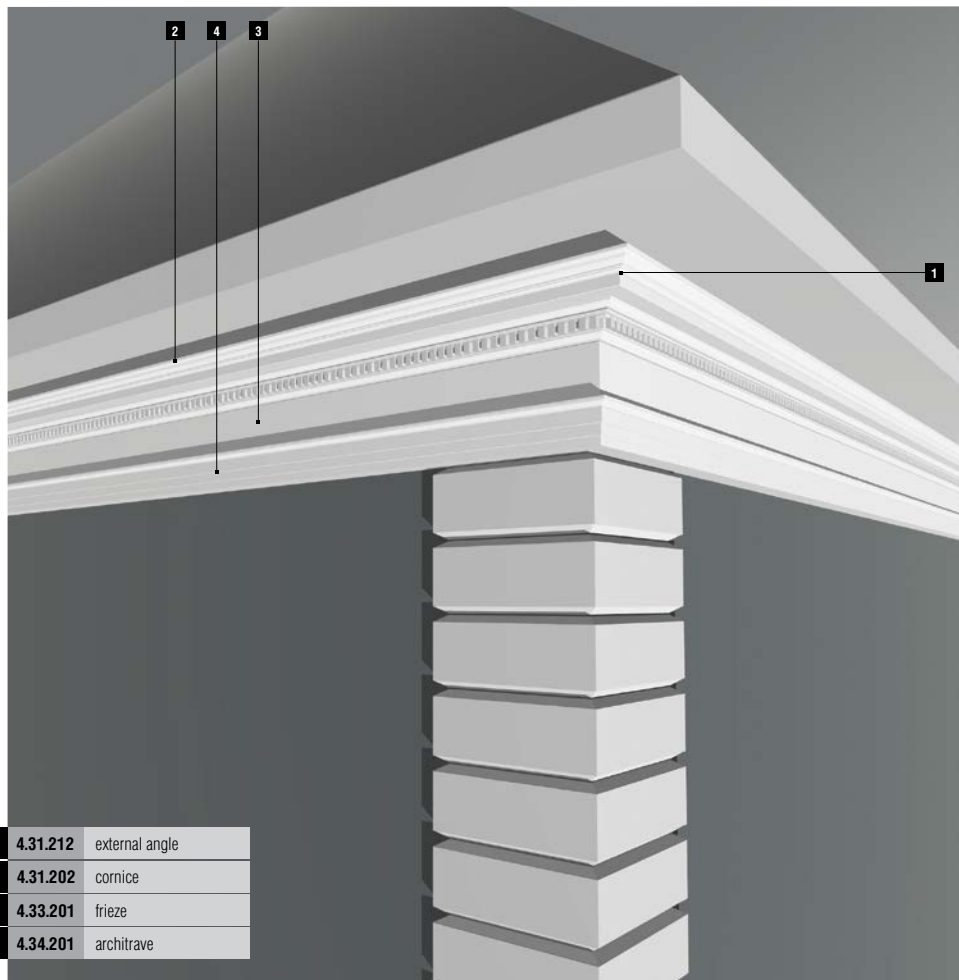


1	4.01.212	external angle
2	4.01.202	cornice

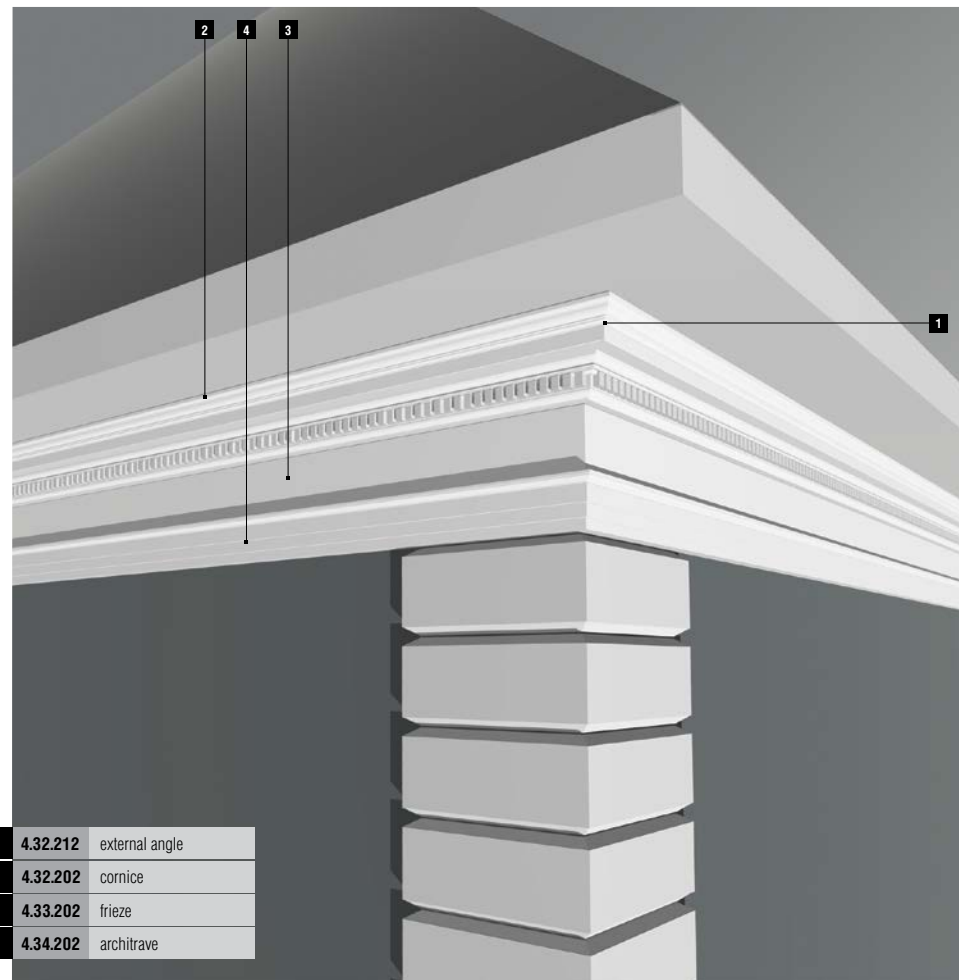


1	4.31.212	external angle
2	4.31.202	cornice



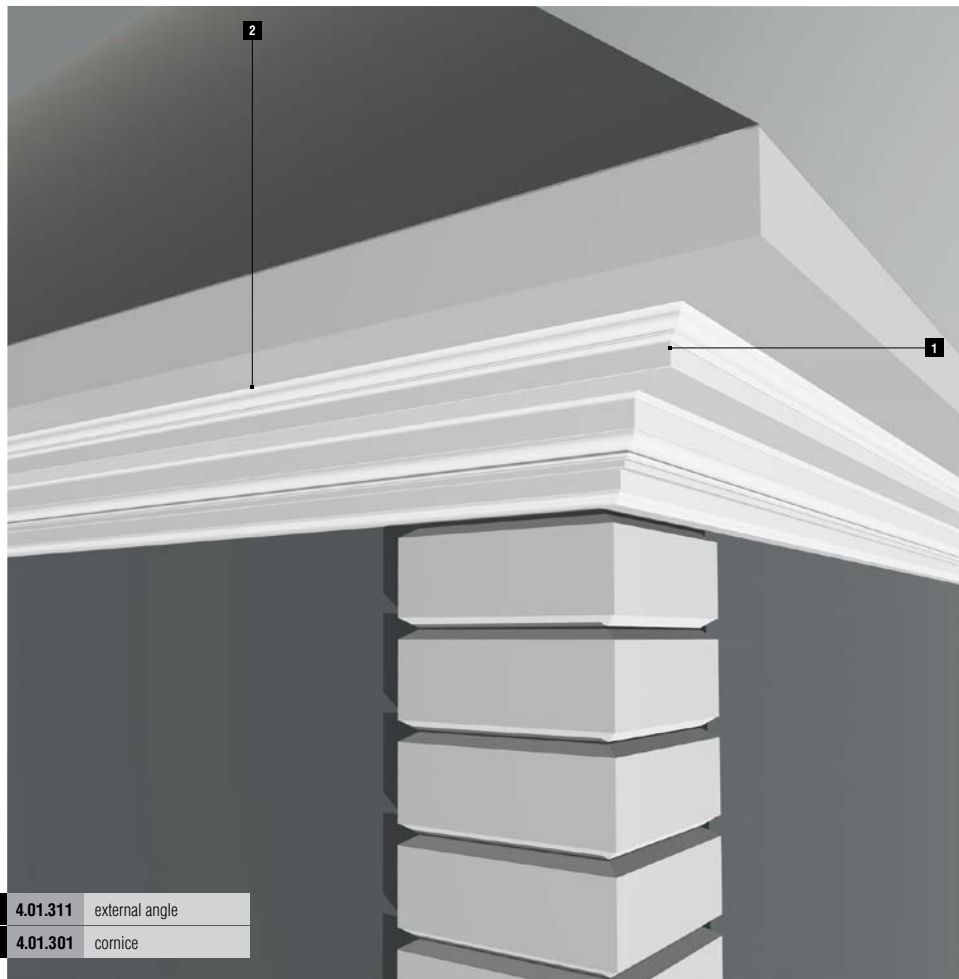


1	4.31.212	external angle
2	4.31.202	cornice
3	4.33.201	frieze
4	4.34.201	architrave

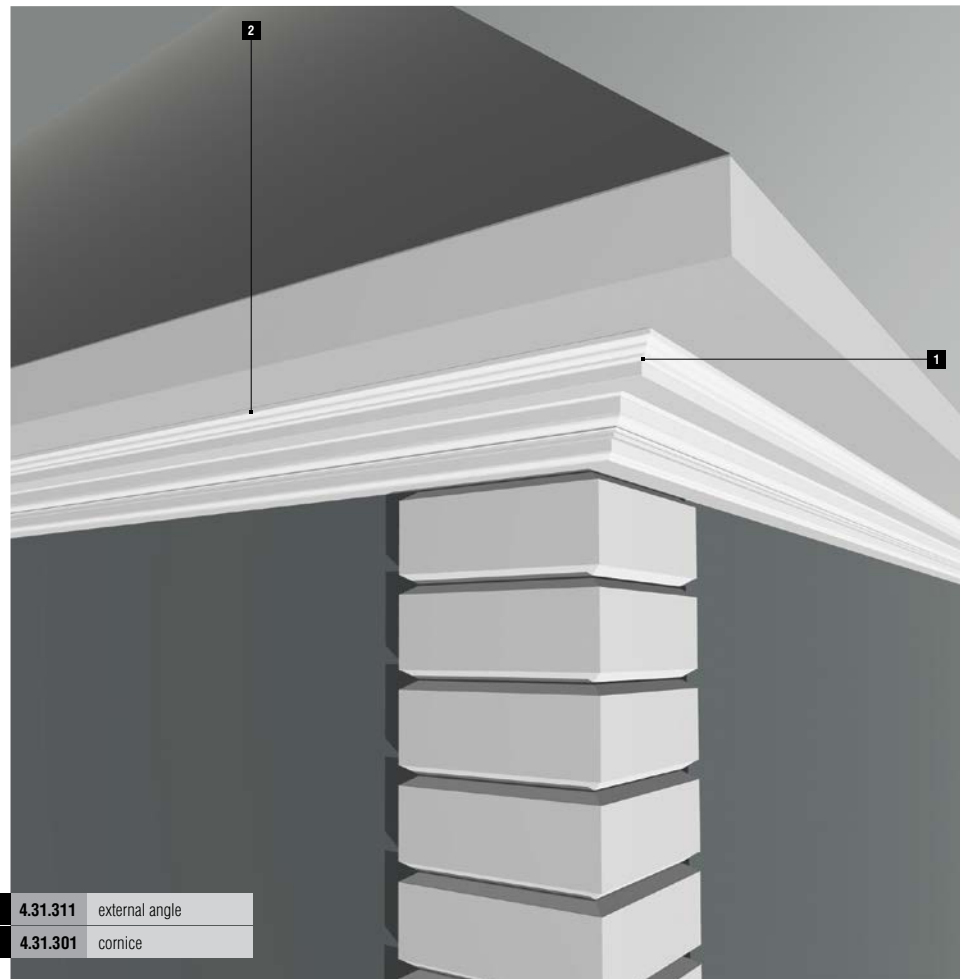


1	4.32.212	external angle
2	4.32.202	cornice
3	4.33.202	frieze
4	4.34.202	architrave

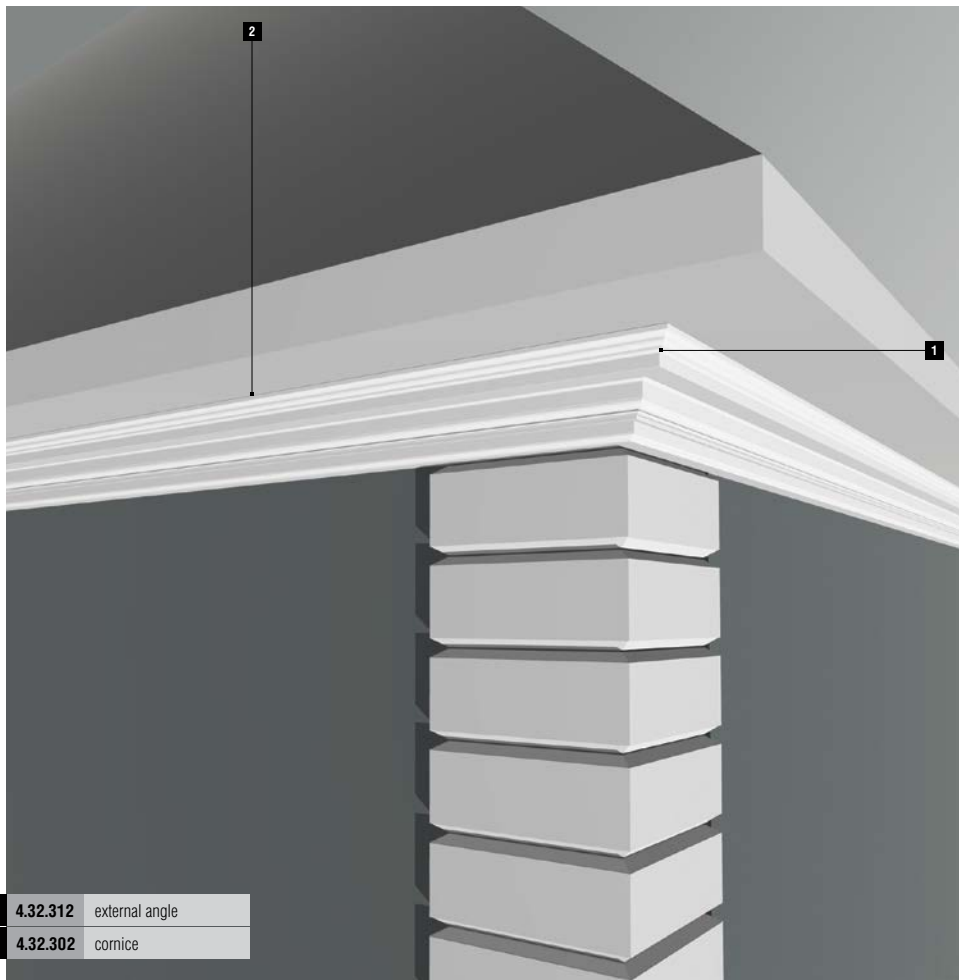




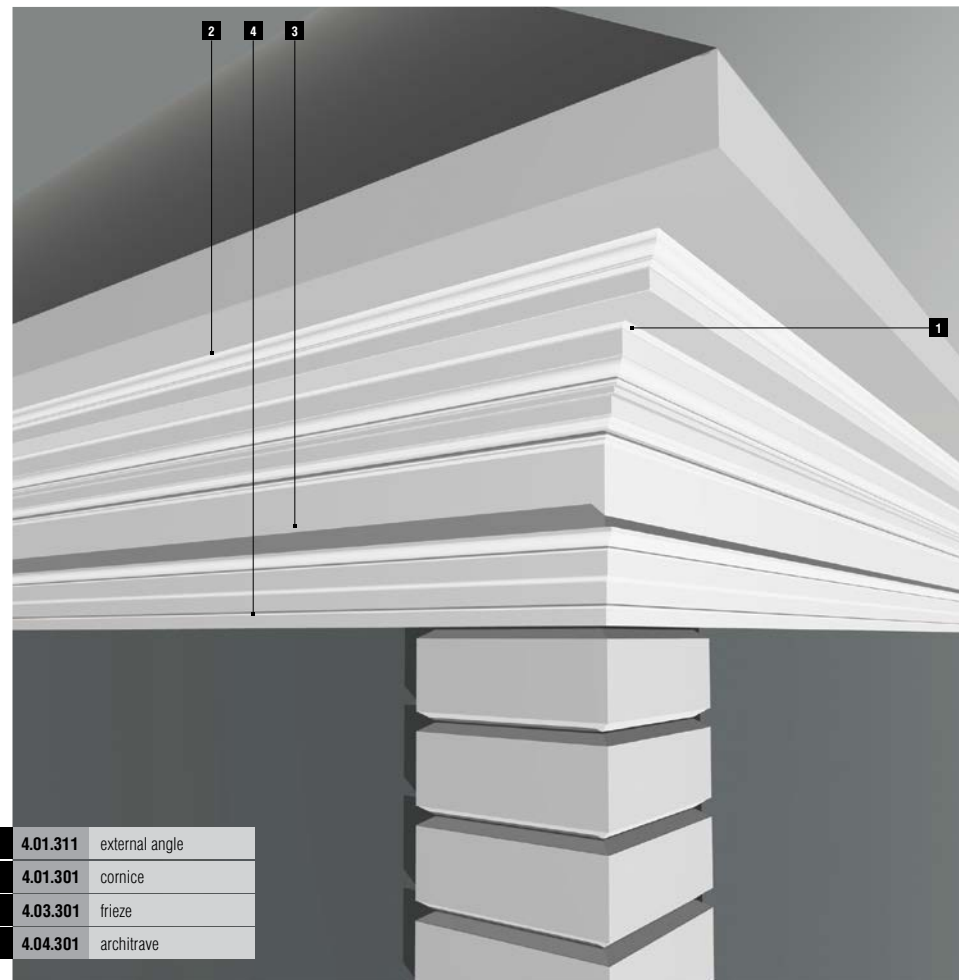
1	4.01.311	external angle
2	4.01.301	cornice



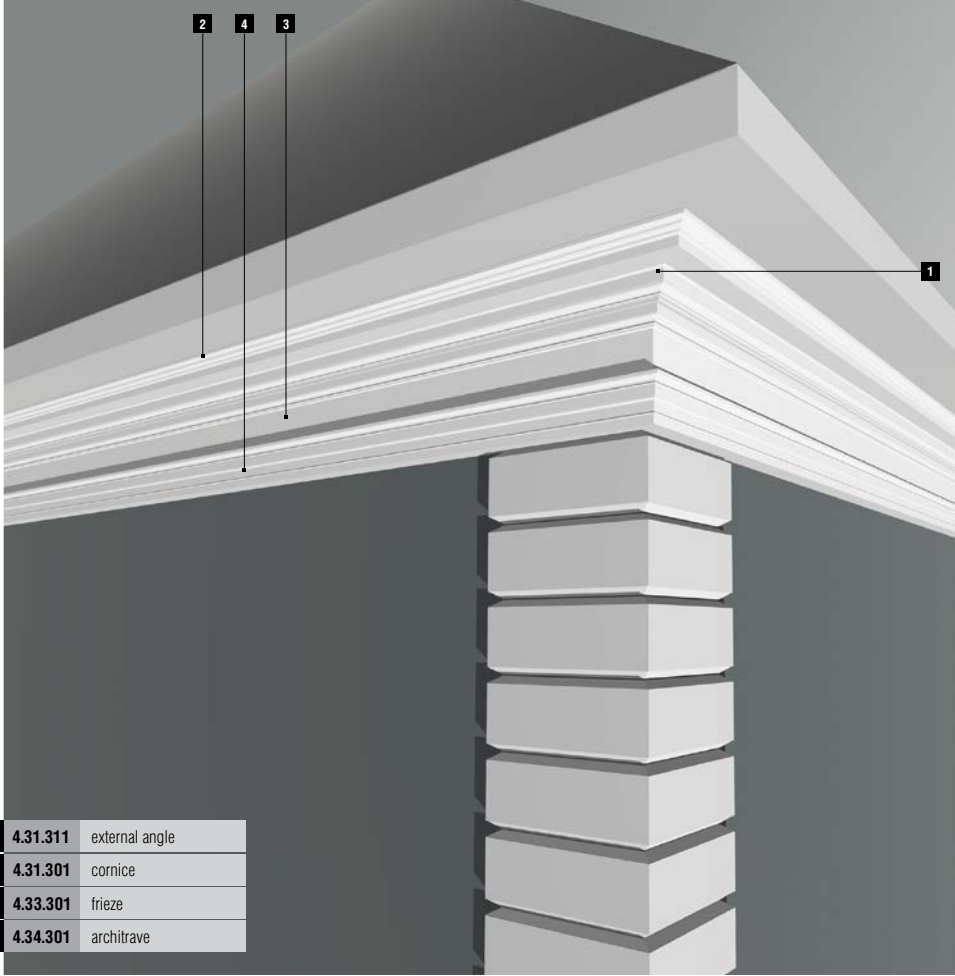
1	4.31.311	external angle
2	4.31.301	cornice



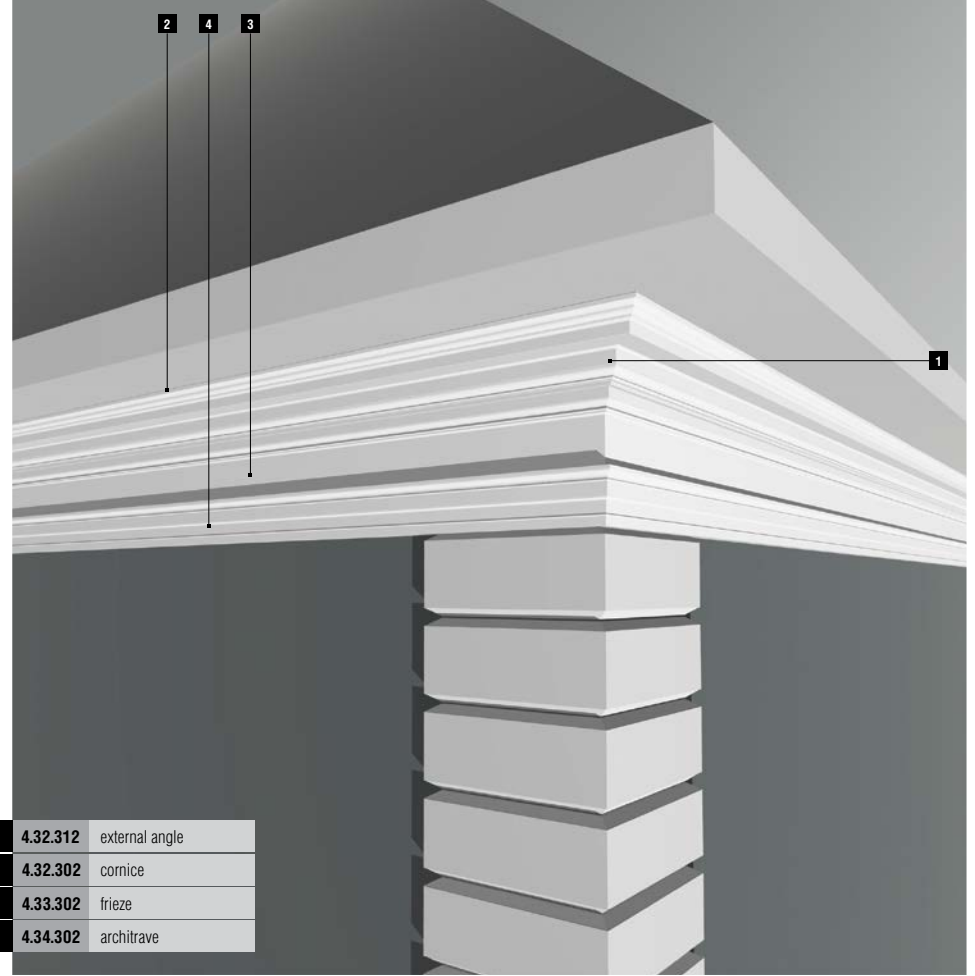
1	4.32.312	external angle
2	4.32.302	cornice



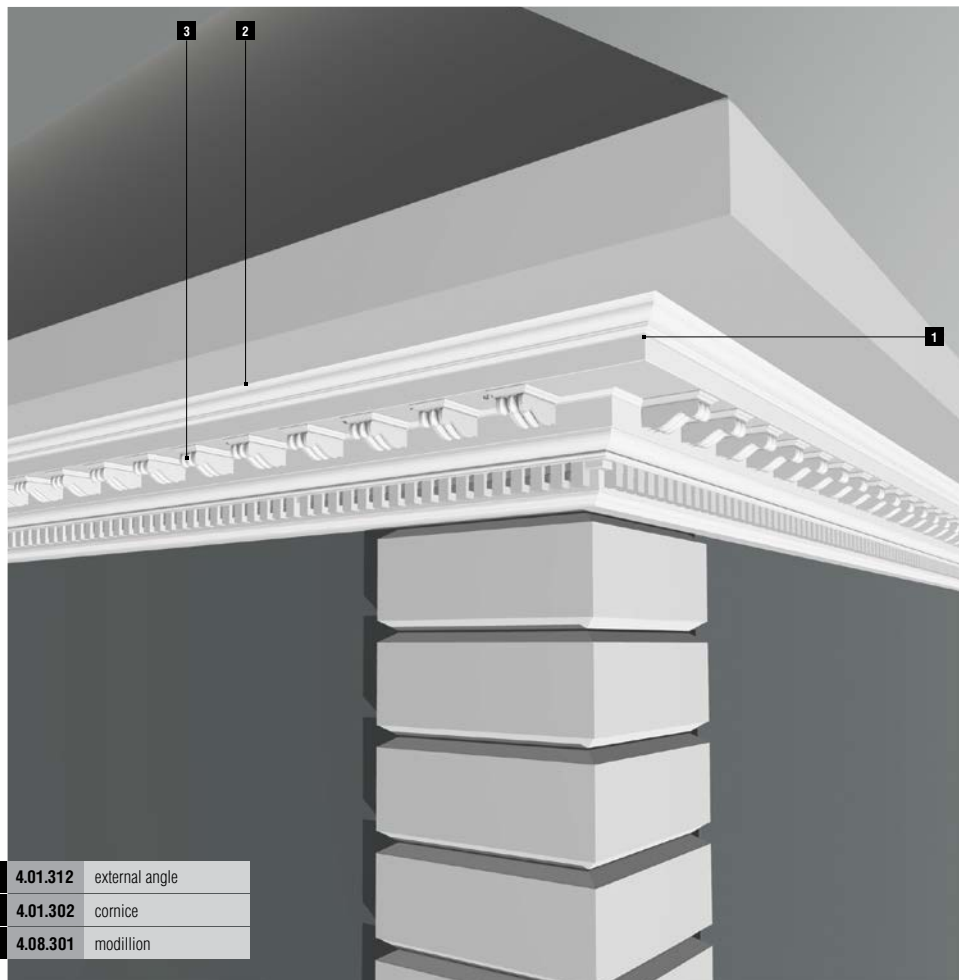
1	4.01.311	external angle
2	4.01.301	cornice
3	4.03.301	frieze
4	4.04.301	architrave



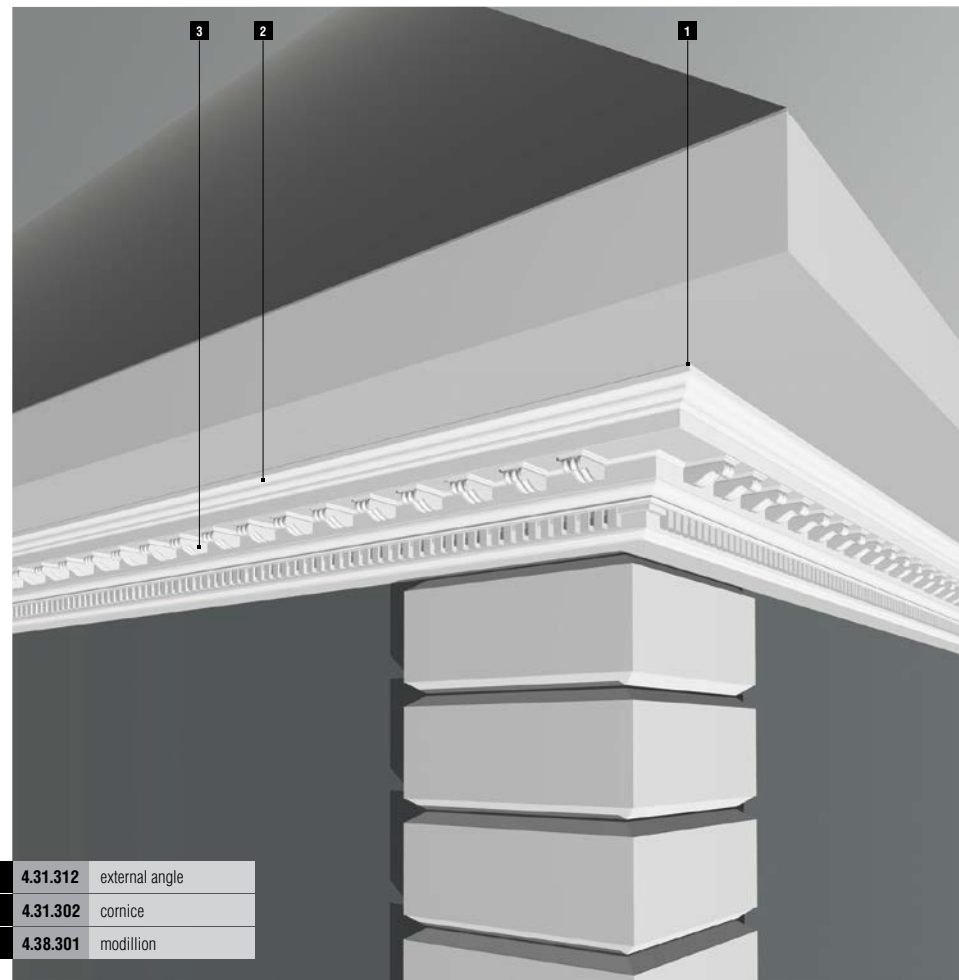
1	4.31.311	external angle
2	4.31.301	cornice
3	4.33.301	frieze
4	4.34.301	architrave



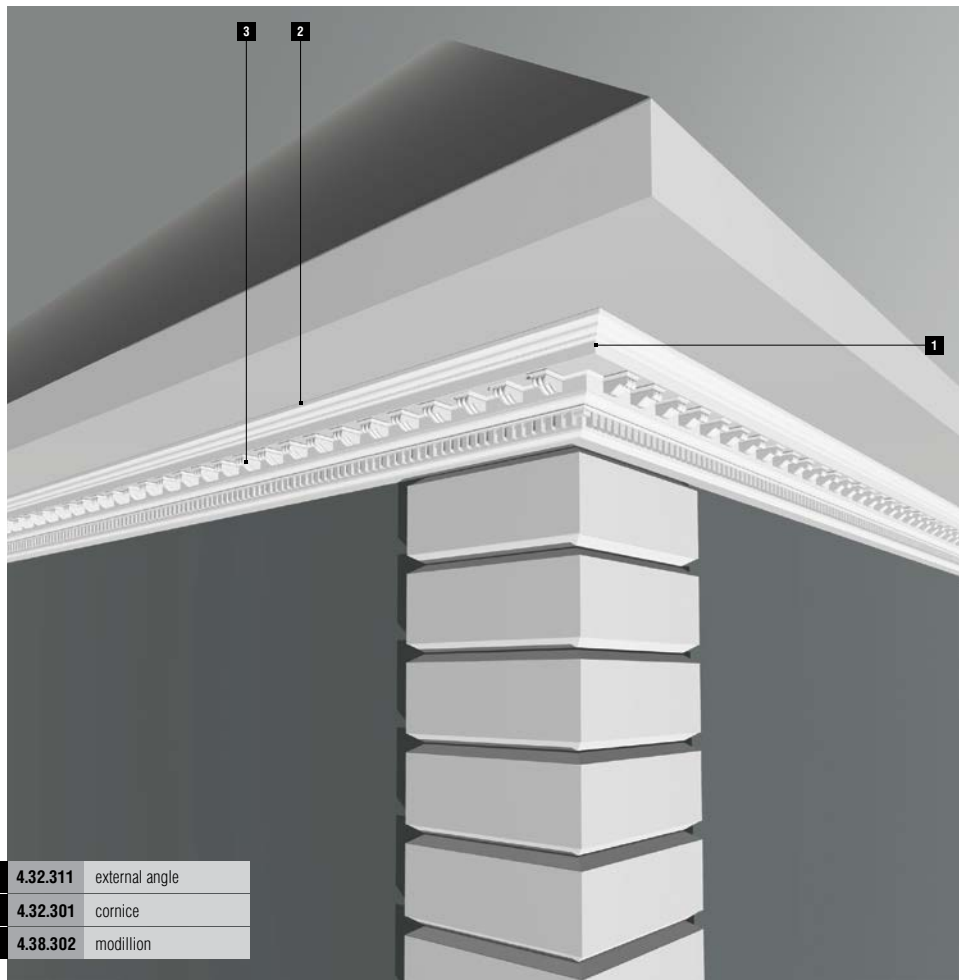
1	4.32.312	external angle
2	4.32.302	cornice
3	4.33.302	frieze
4	4.34.302	architrave



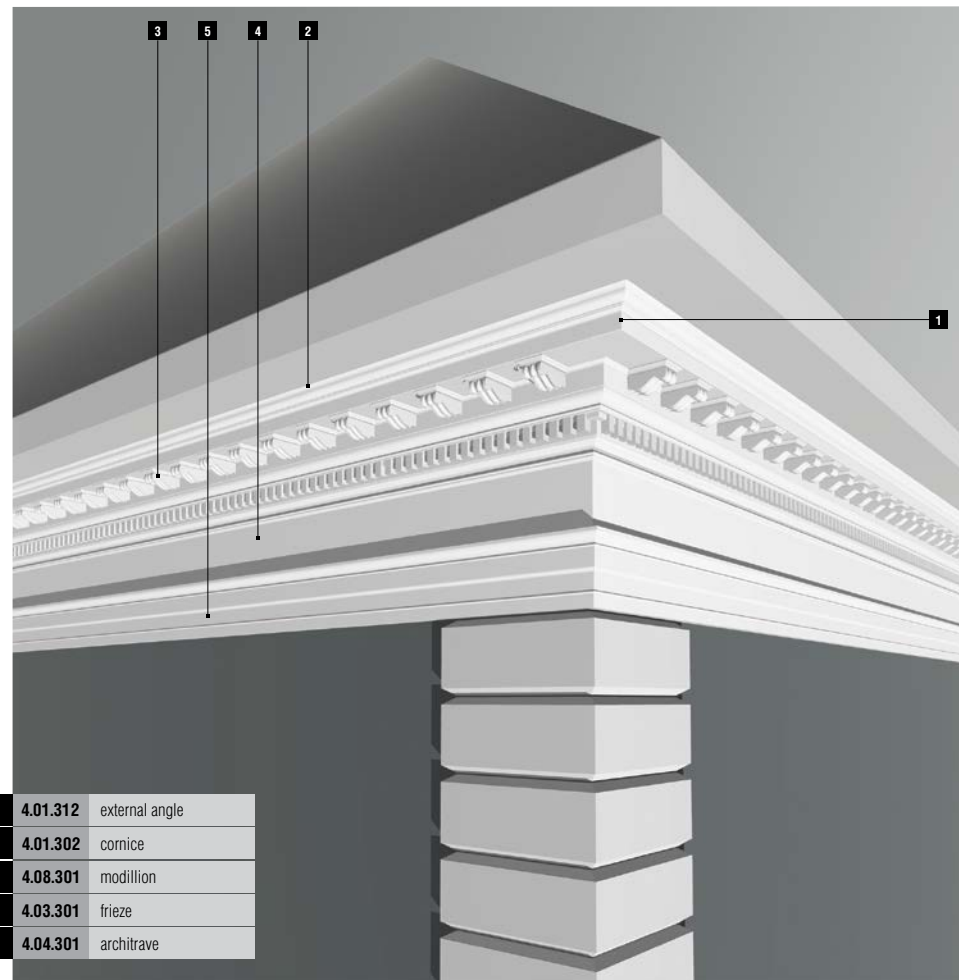
1	4.01.312	external angle
2	4.01.302	cornice
3	4.08.301	modillion



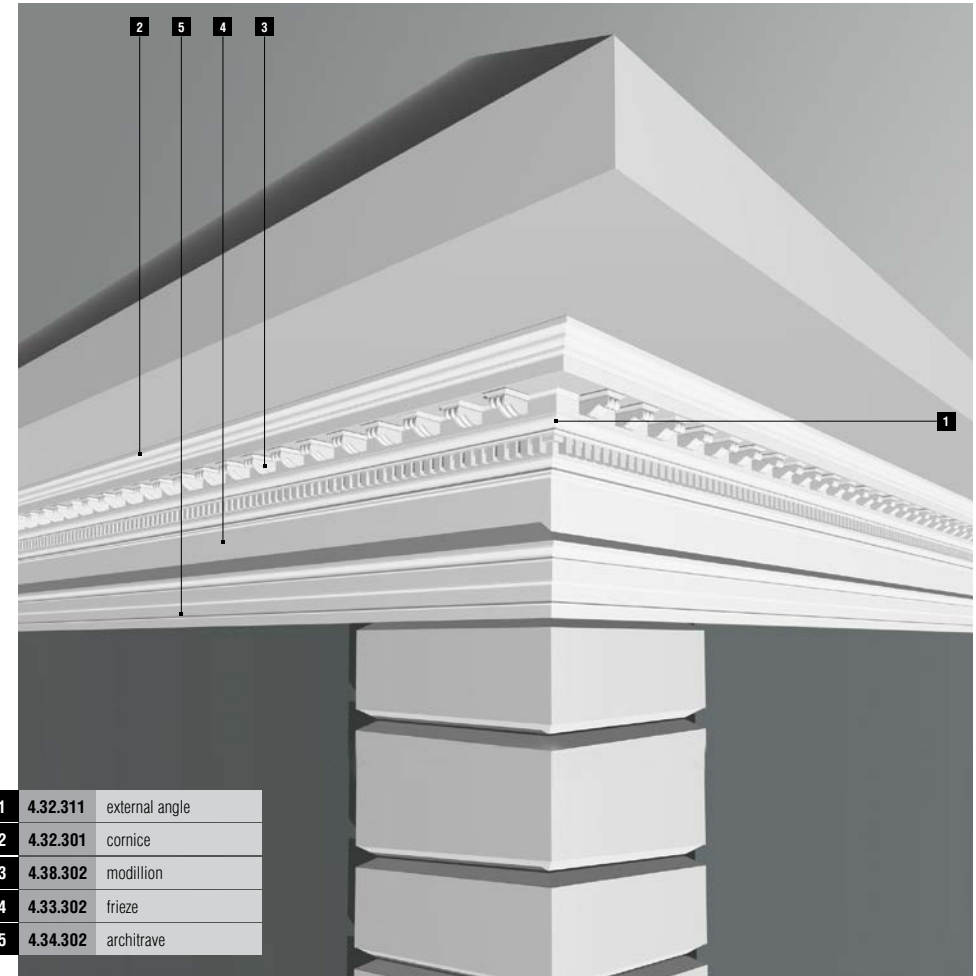
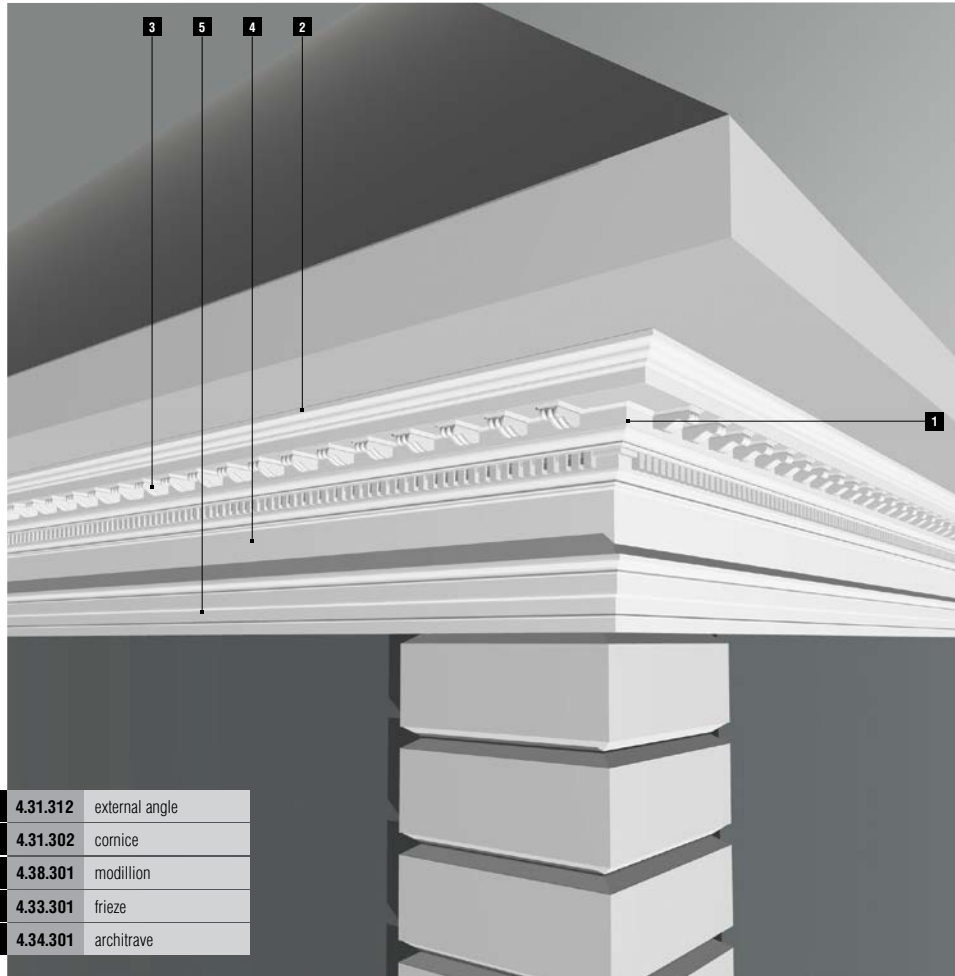
1	4.31.312	external angle
2	4.31.302	cornice
3	4.38.301	modillion

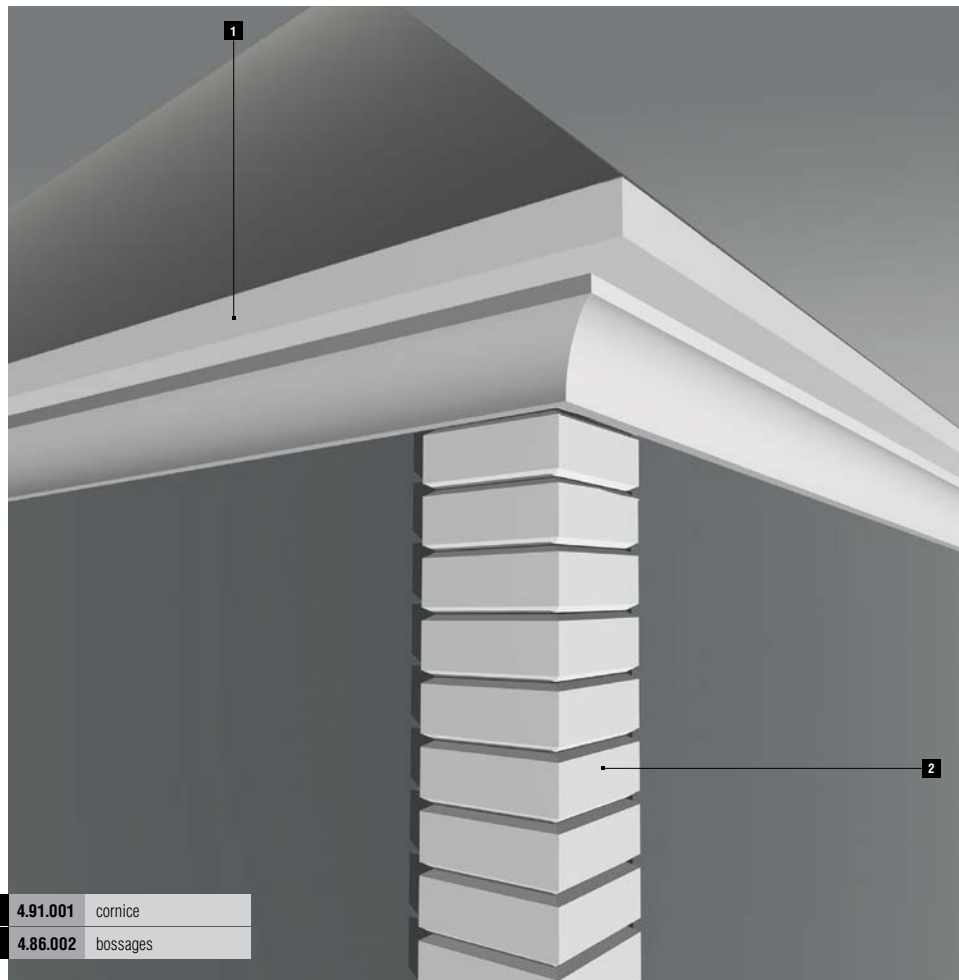


1	4.32.311	external angle
2	4.32.301	cornice
3	4.38.302	modillion

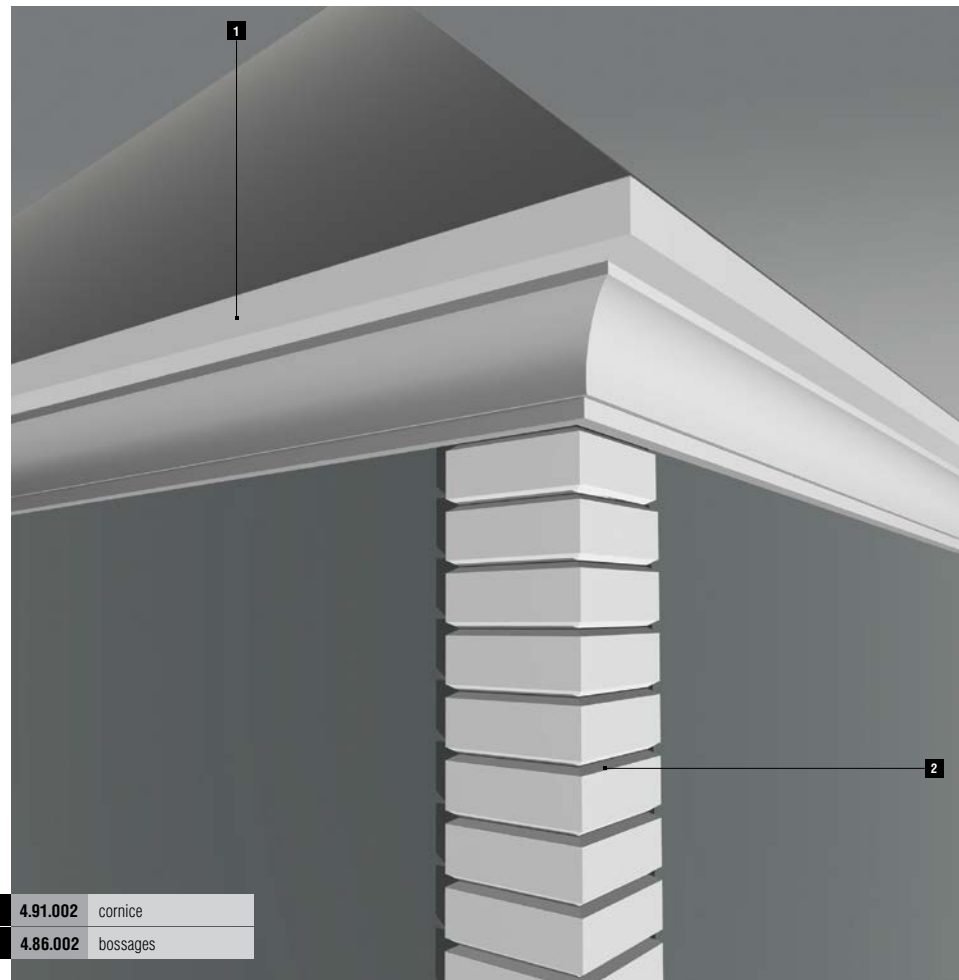


1	4.01.312	external angle
2	4.01.302	cornice
3	4.08.301	modillion
4	4.03.301	frieze
5	4.04.301	architrave

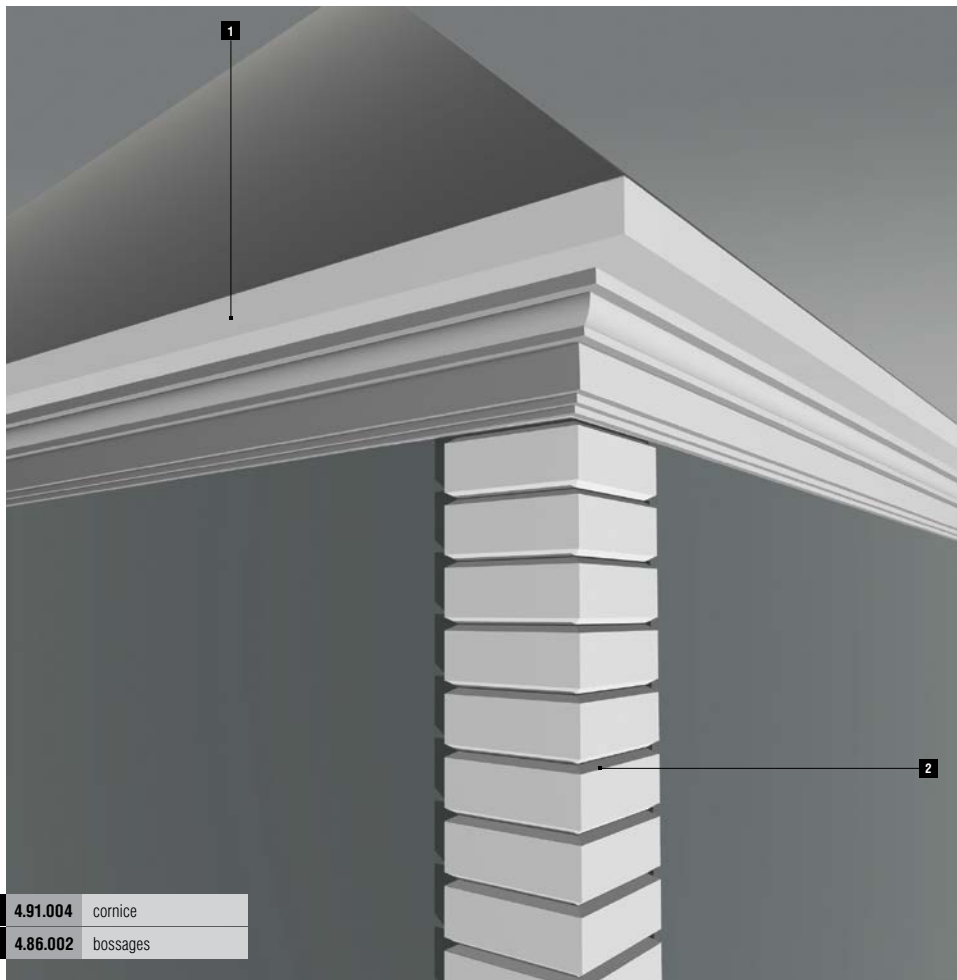




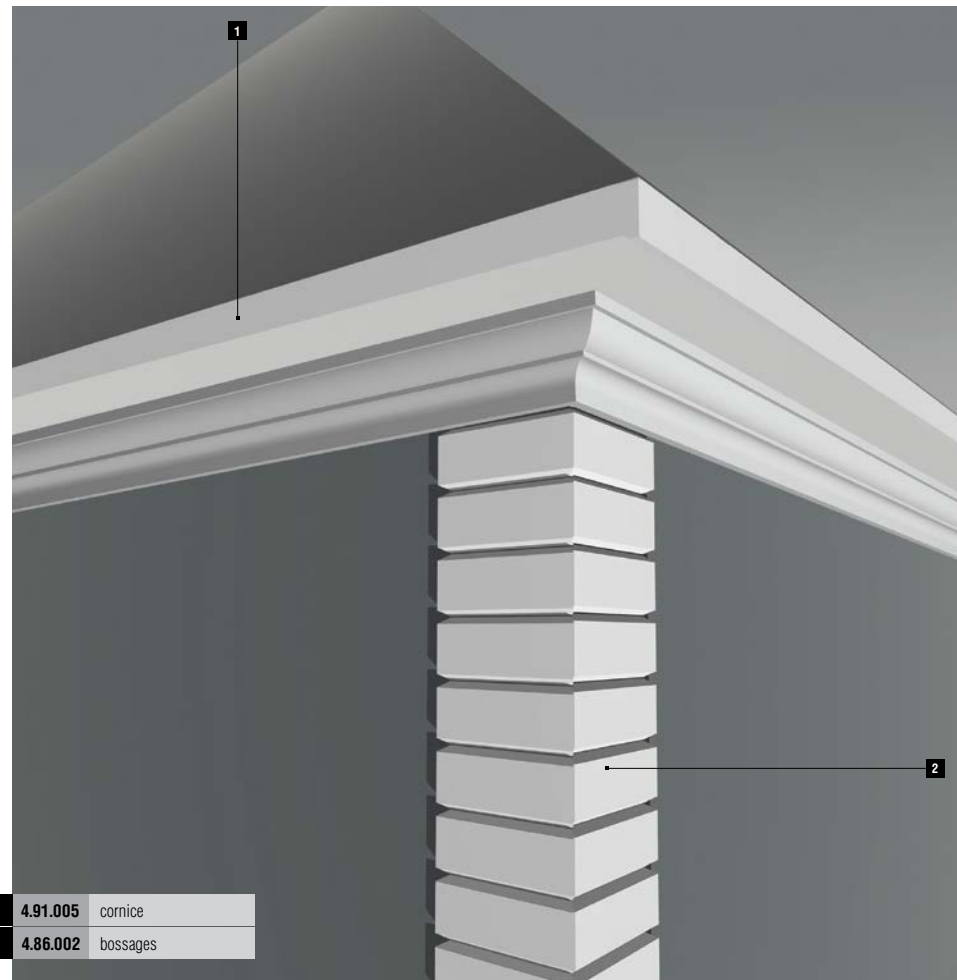
1	4.91.001	cornice
2	4.86.002	bossages



1	4.91.002	cornice
2	4.86.002	bossages

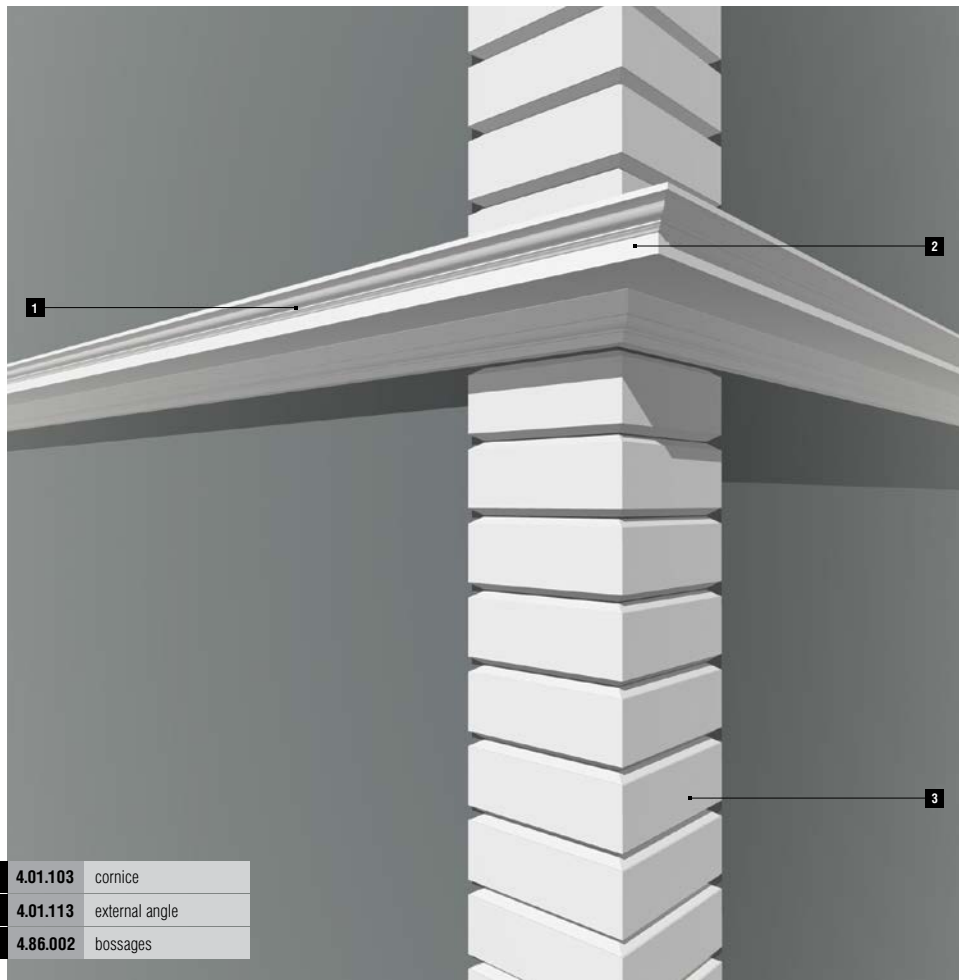


1	4.91.004	cornice
2	4.86.002	bossages

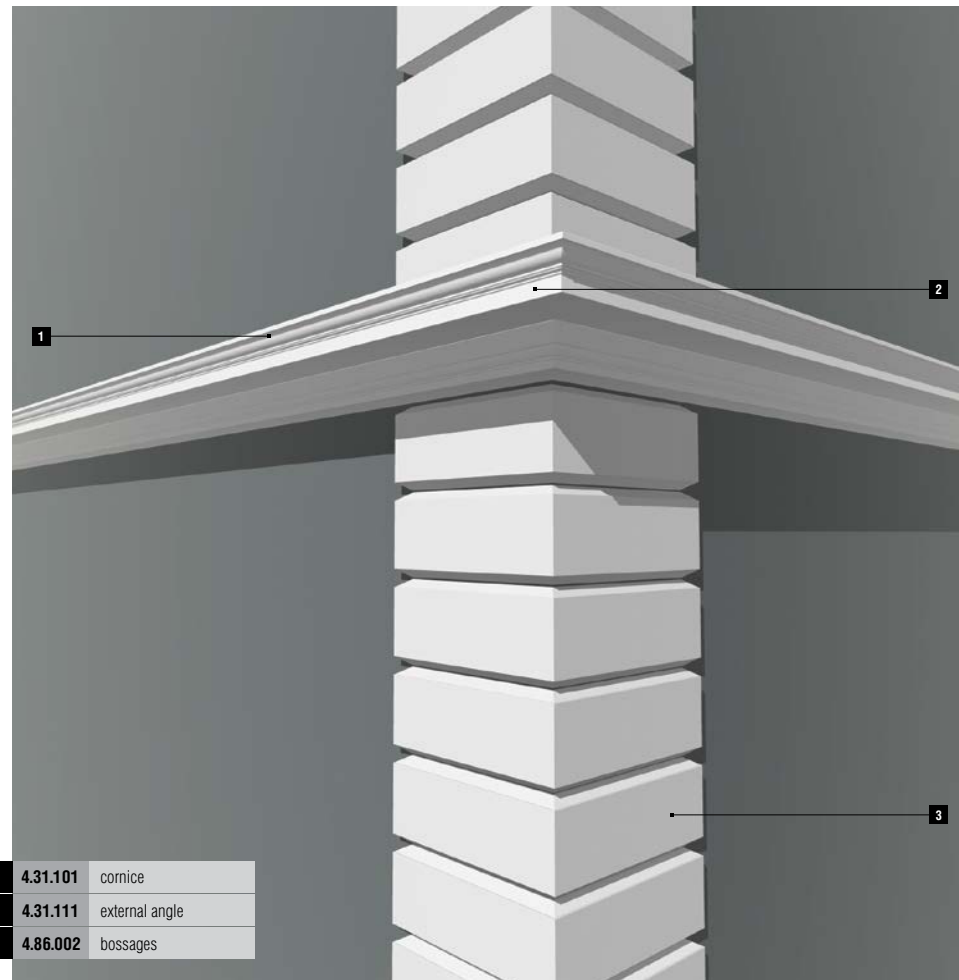


1	4.91.005	cornice
2	4.86.002	bossages

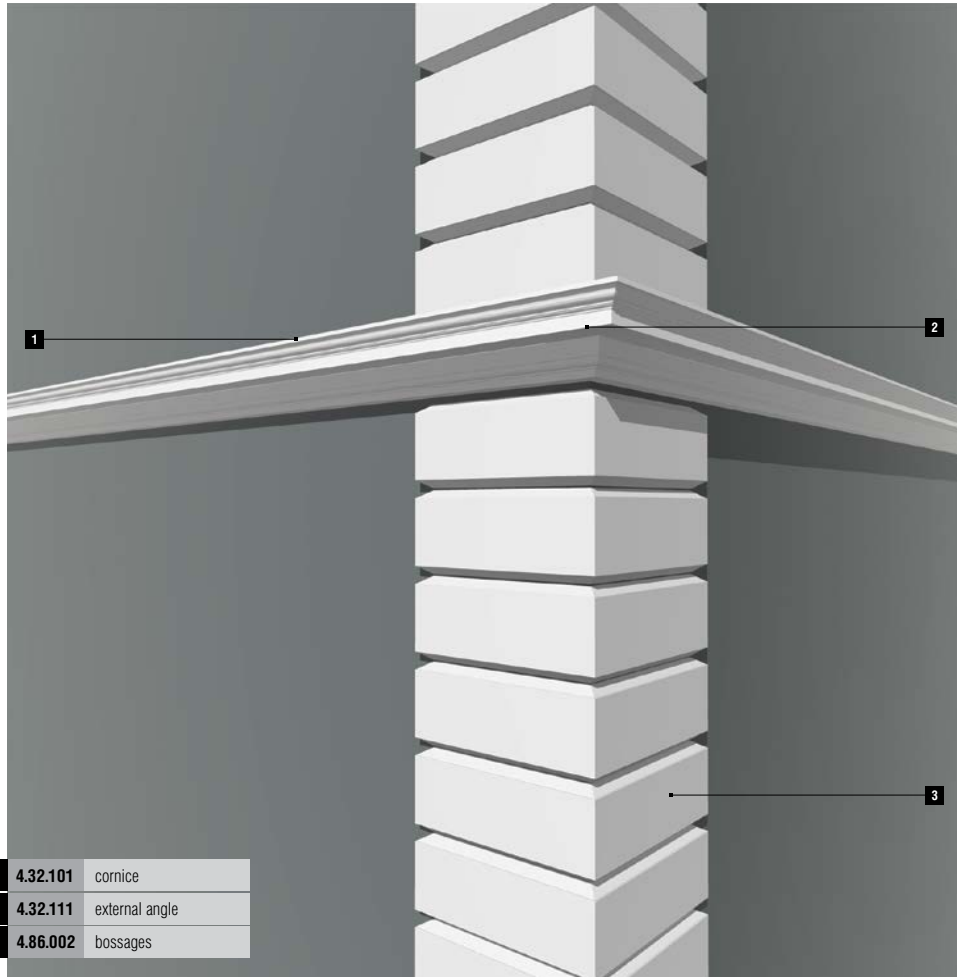




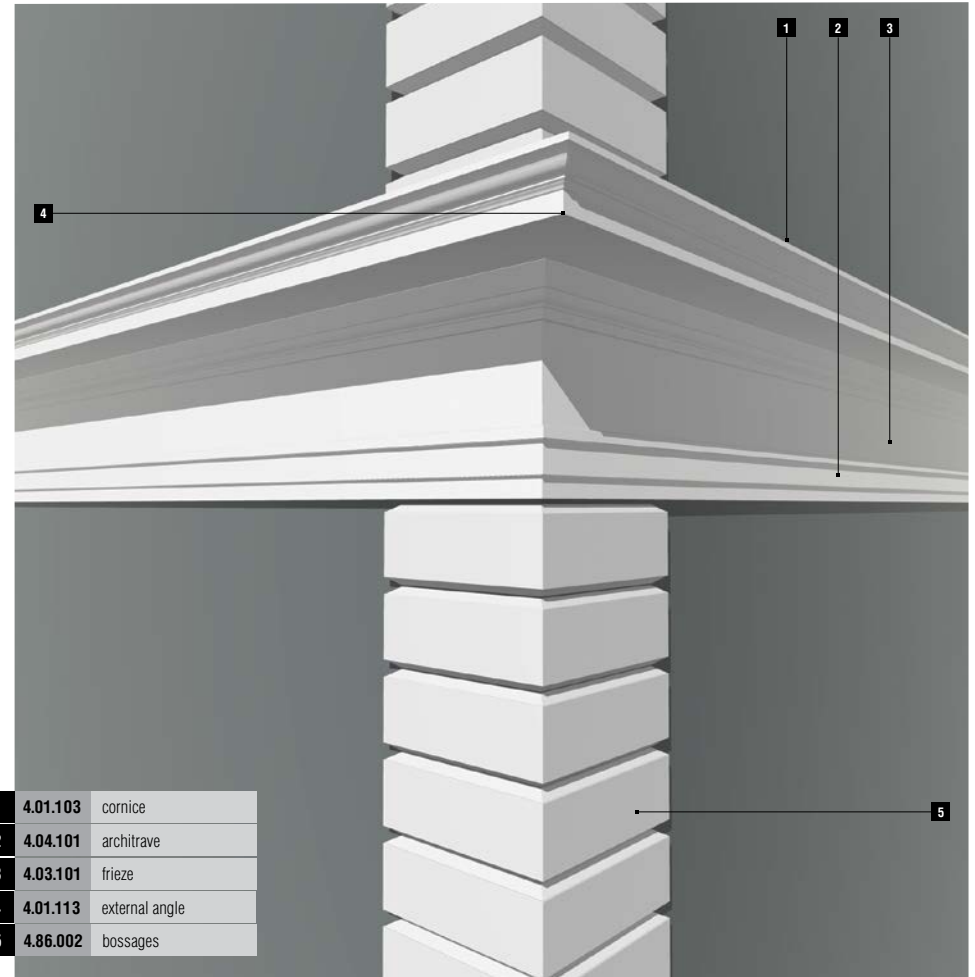
1	4.01.103	cornice
2	4.01.113	external angle
3	4.86.002	bossages



1	4.31.101	cornice
2	4.31.111	external angle
3	4.86.002	bossages



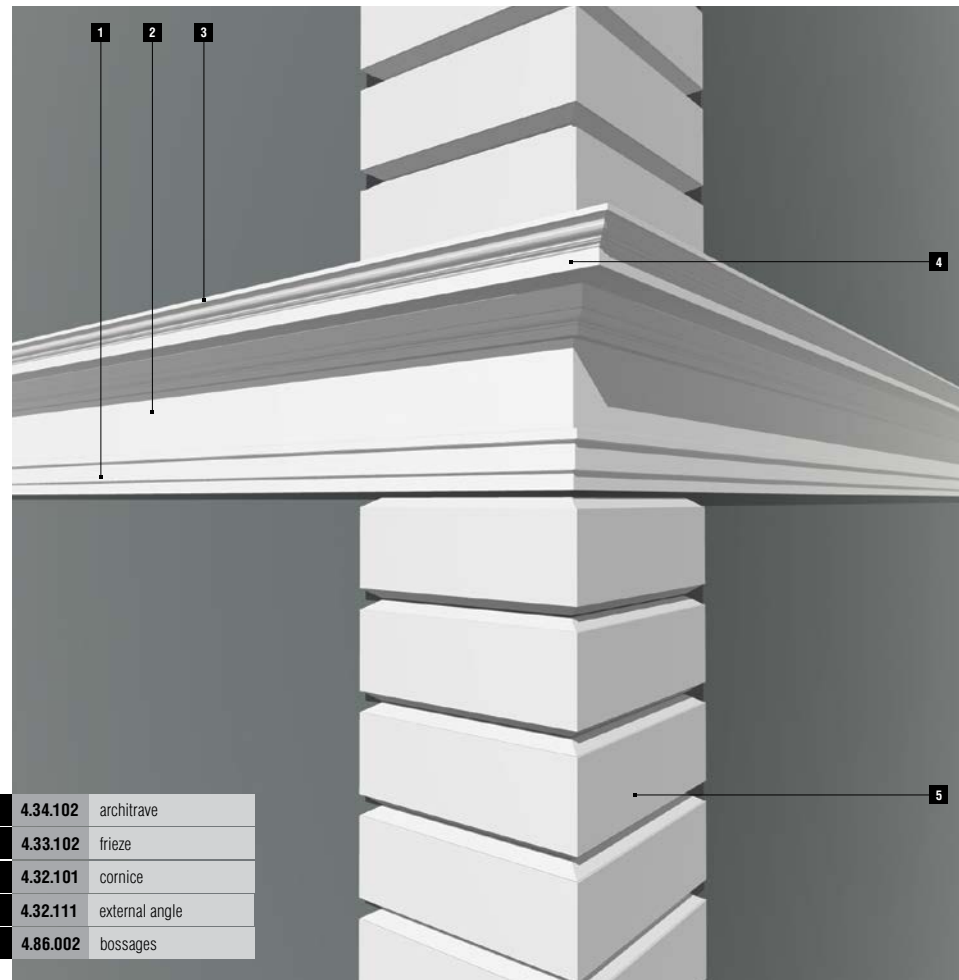
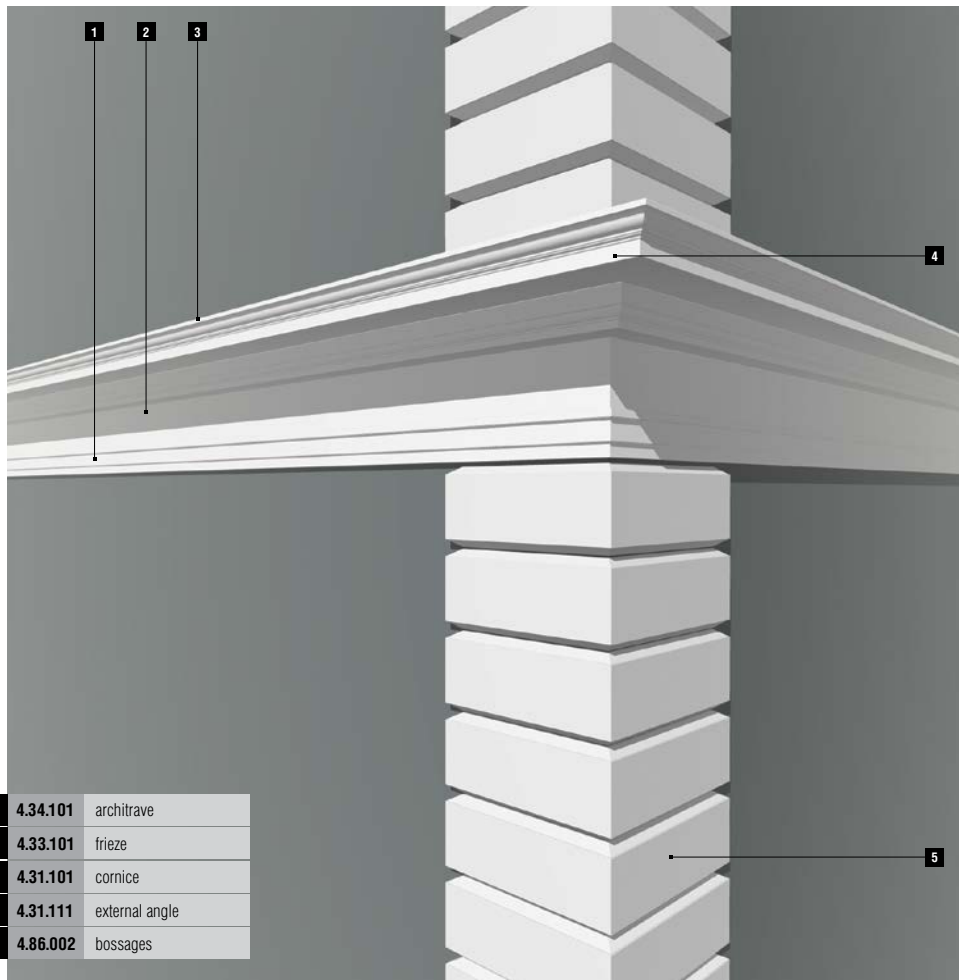
1	4.32.101	cornice
2	4.32.111	external angle
3	4.86.002	bossages



1	4.01.103	cornice
2	4.04.101	architrave
3	4.03.101	frieze
4	4.01.113	external angle
5	4.86.002	bossages

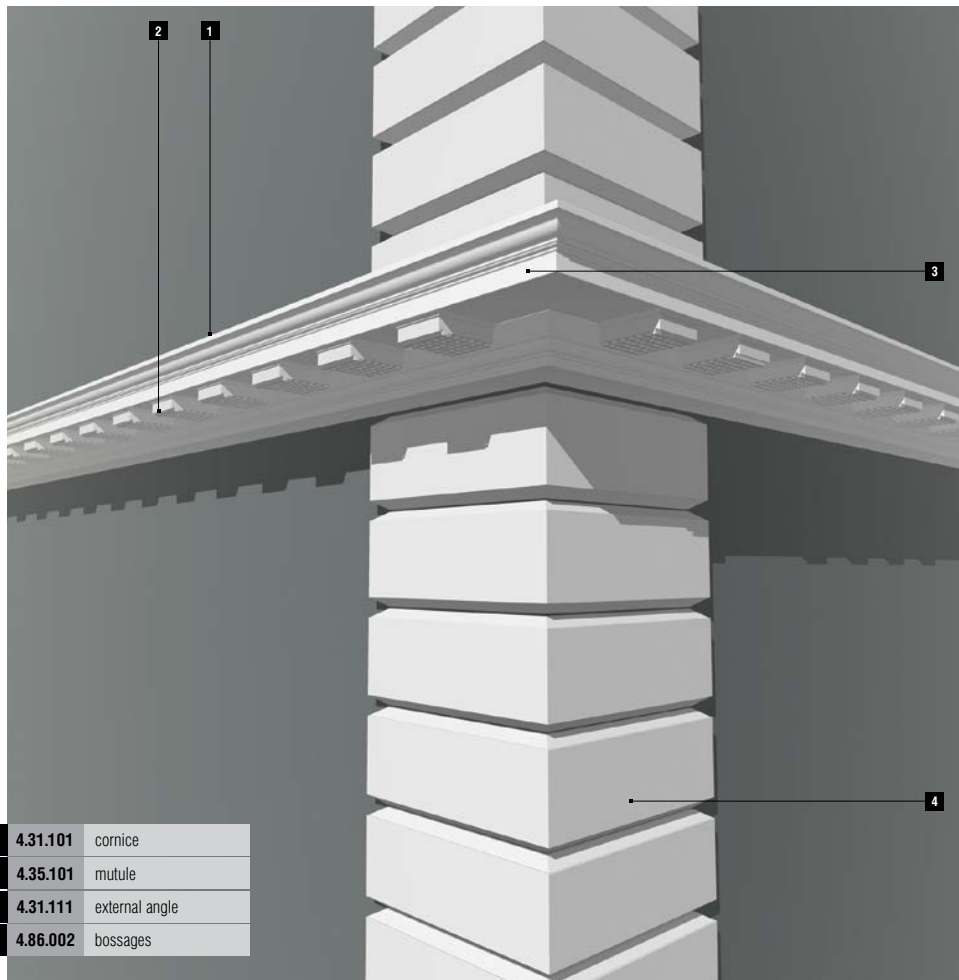
## facade mouldings

examples

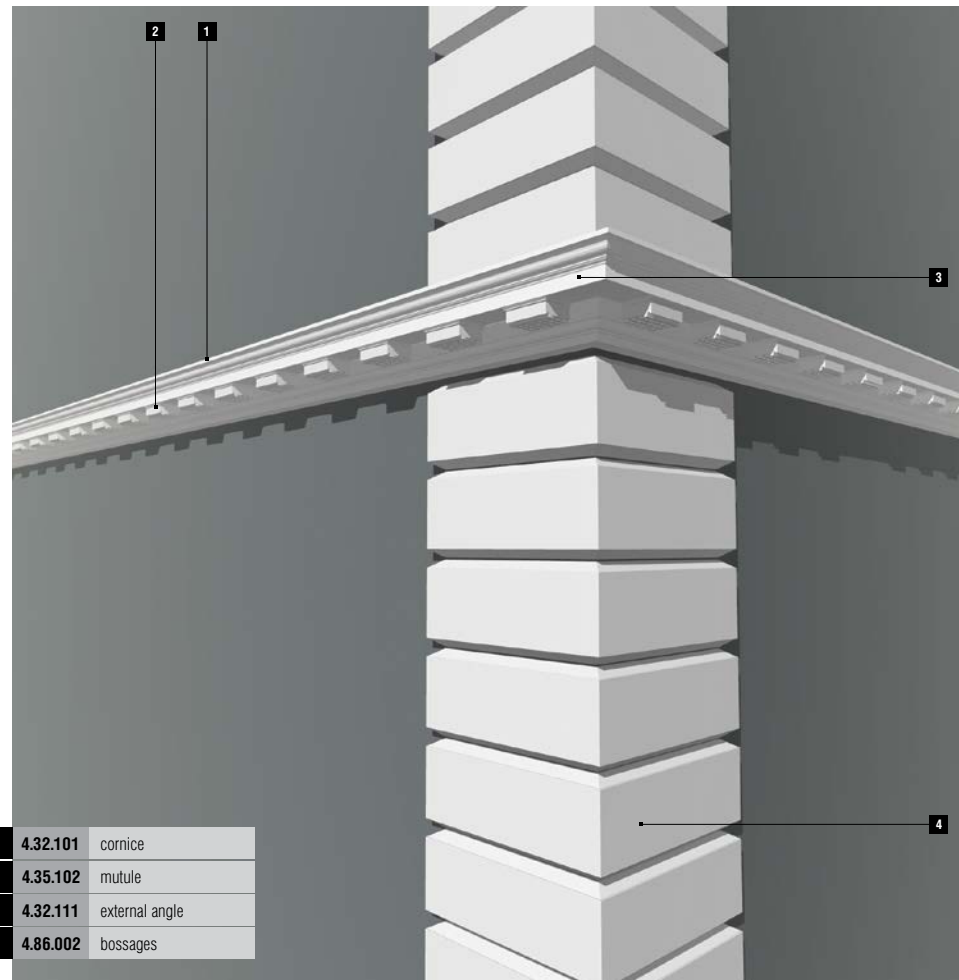


## facade mouldings

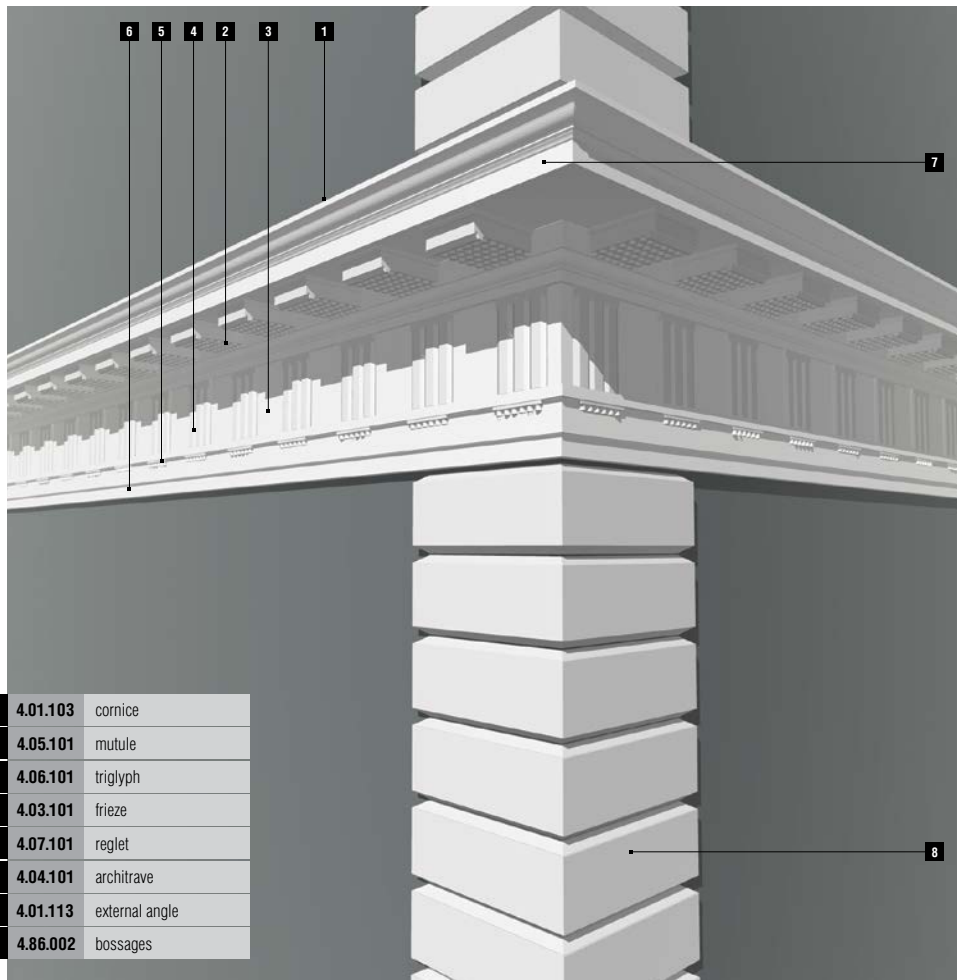
examples



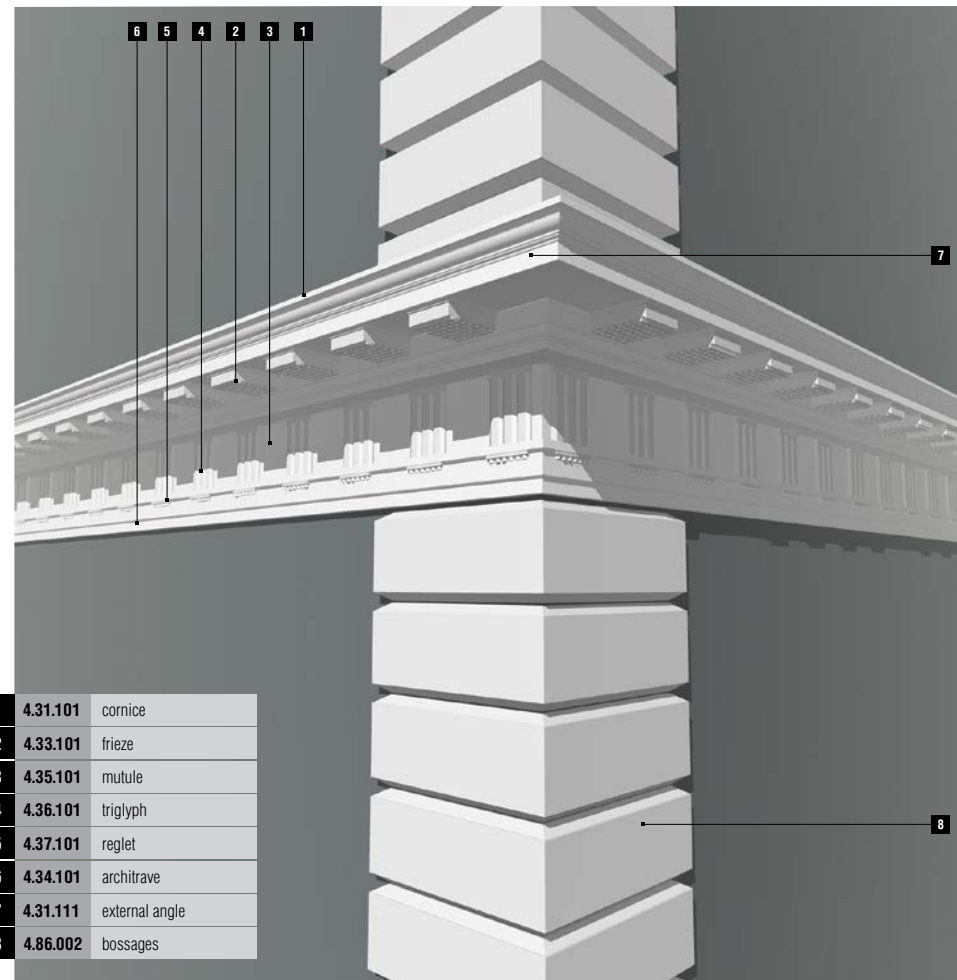
1	4.31.101	cornice
2	4.35.101	mutule
3	4.31.111	external angle
4	4.86.002	bossages



1	4.32.101	cornice
2	4.35.102	mutule
3	4.32.111	external angle
4	4.86.002	bossages

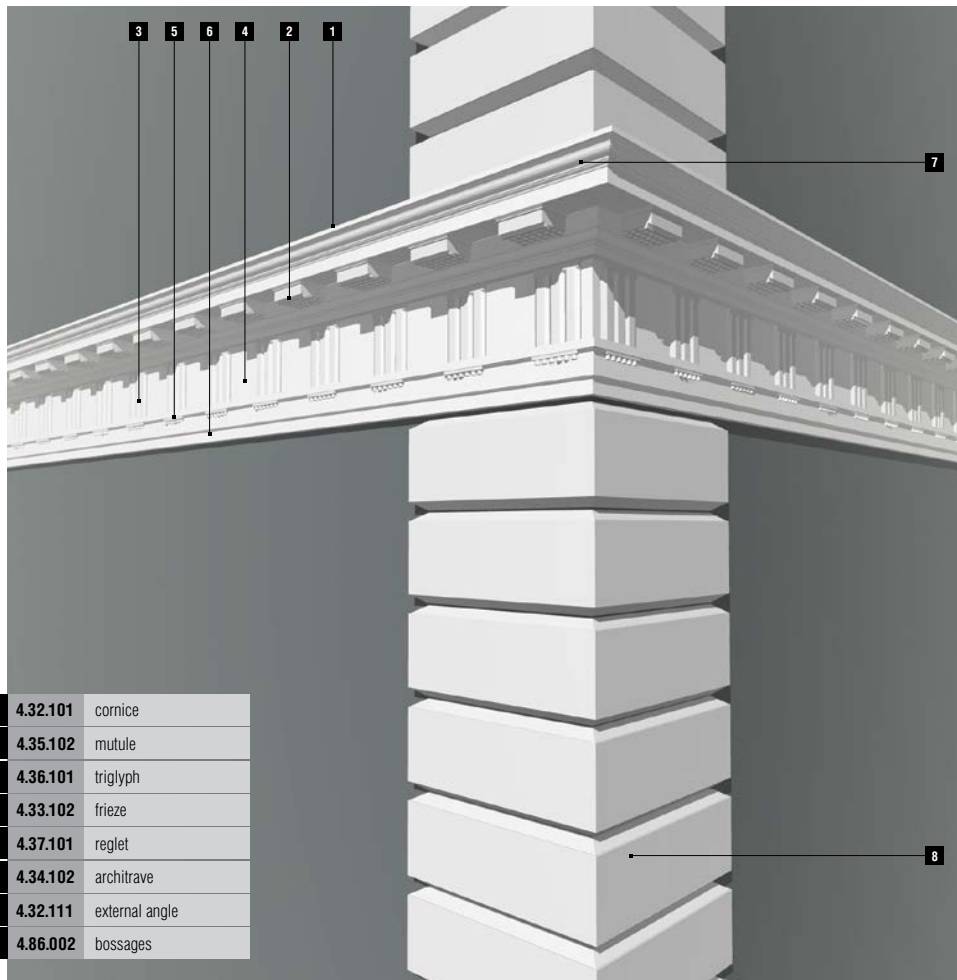


1	4.01.103	cornice
2	4.05.101	mutule
3	4.06.101	triglyph
4	4.03.101	frieze
5	4.07.101	reglet
6	4.04.101	architrave
7	4.01.113	external angle
8	4.86.002	bossages



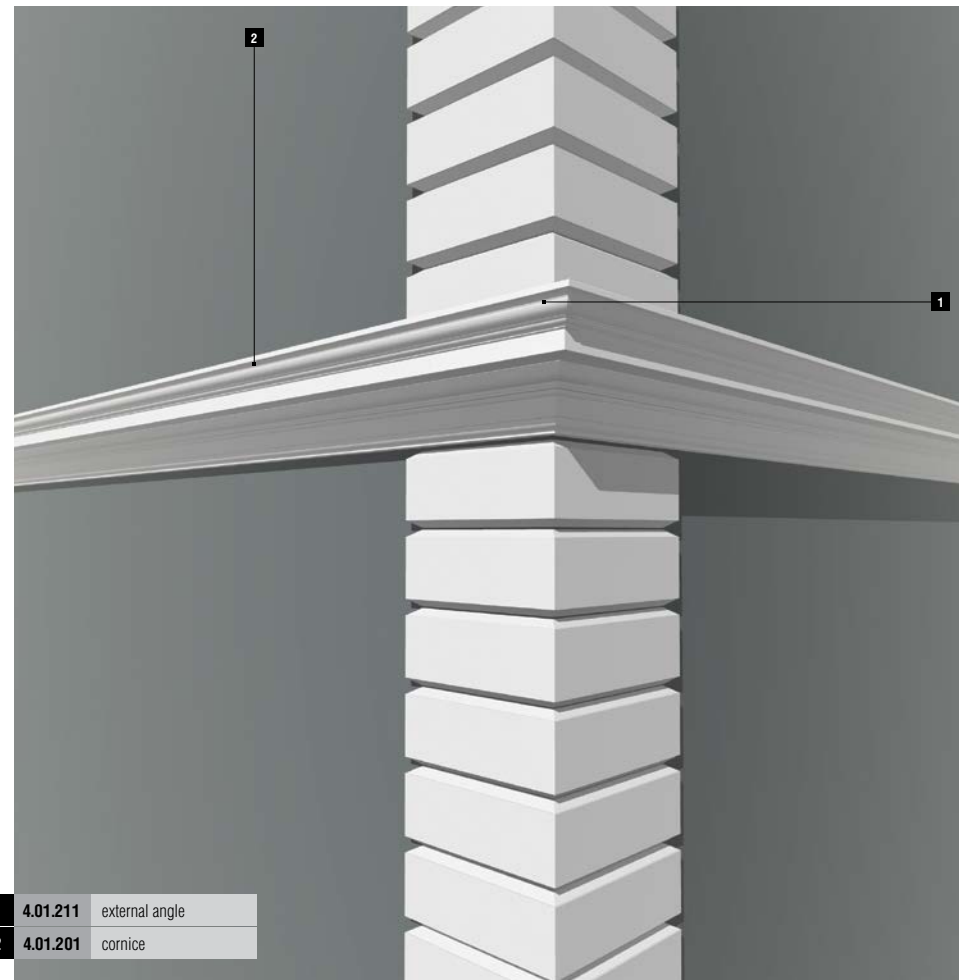
1	4.31.101	cornice
2	4.33.101	frieze
3	4.35.101	mutule
4	4.36.101	triglyph
5	4.37.101	reglet
6	4.34.101	architrave
7	4.31.111	external angle
8	4.86.002	bossages

## facade mouldings

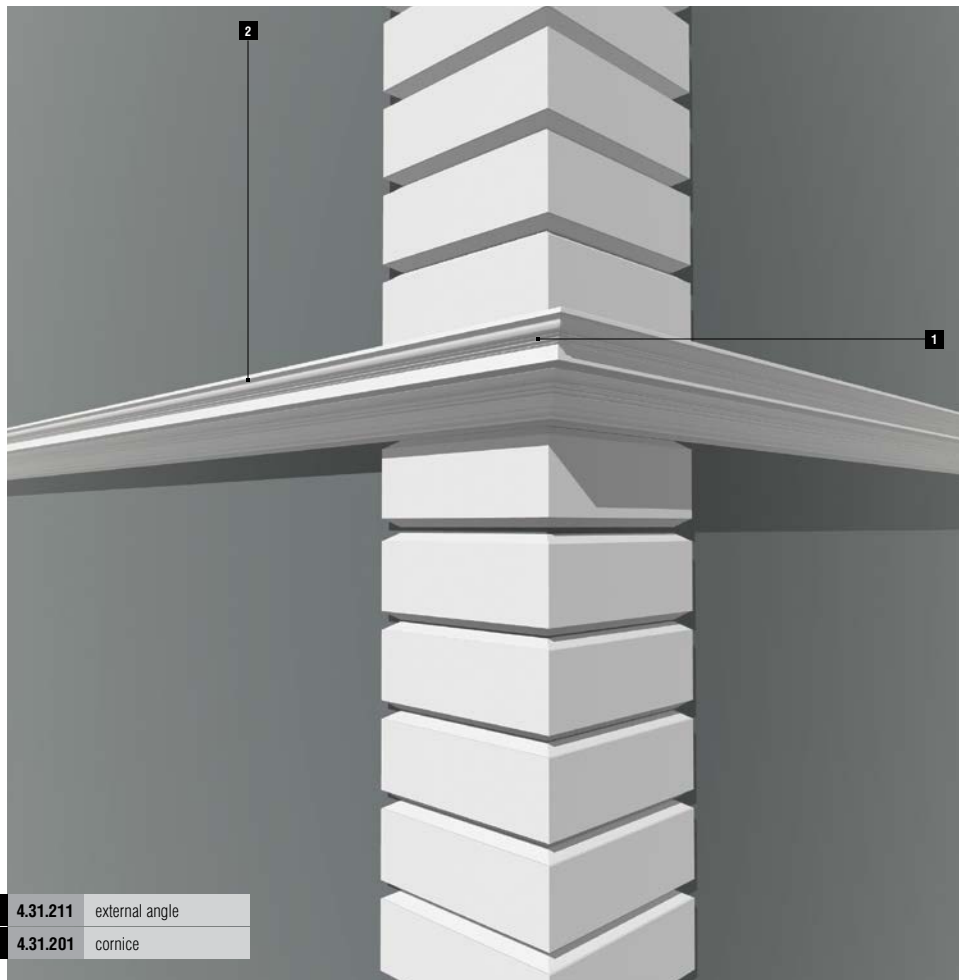


1	4.32.101	cornice
2	4.35.102	mutule
3	4.36.101	triglyph
4	4.33.102	frieze
5	4.37.101	reglet
6	4.34.102	architrave
7	4.32.111	external angle
8	4.86.002	bossages

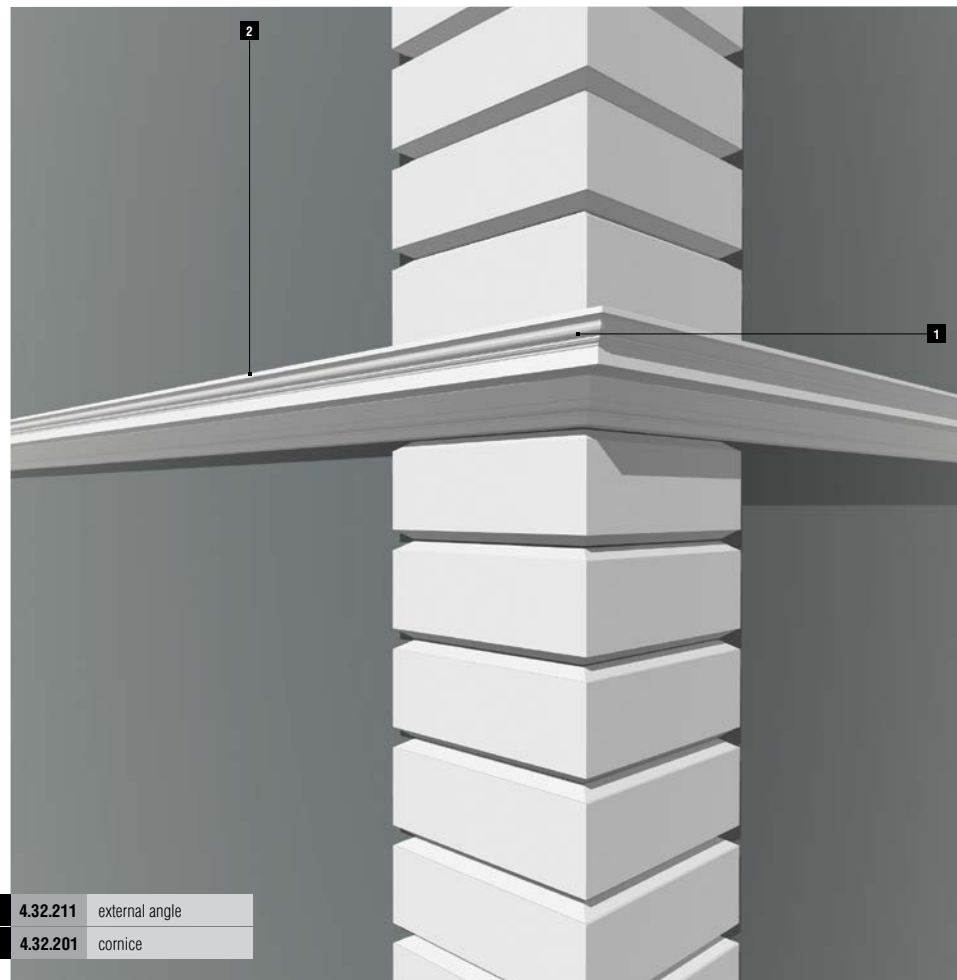
examples



1	4.01.211	external angle
2	4.01.201	cornice



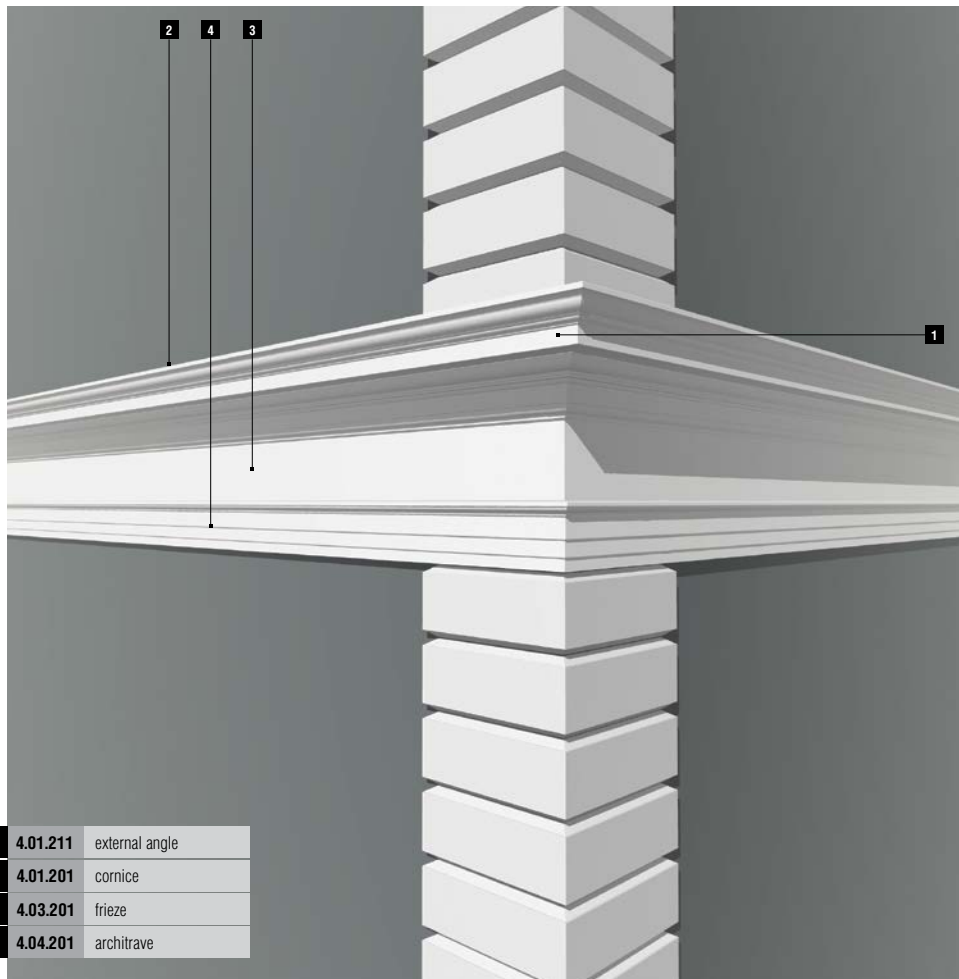
1	4.31.211	external angle
2	4.31.201	cornice



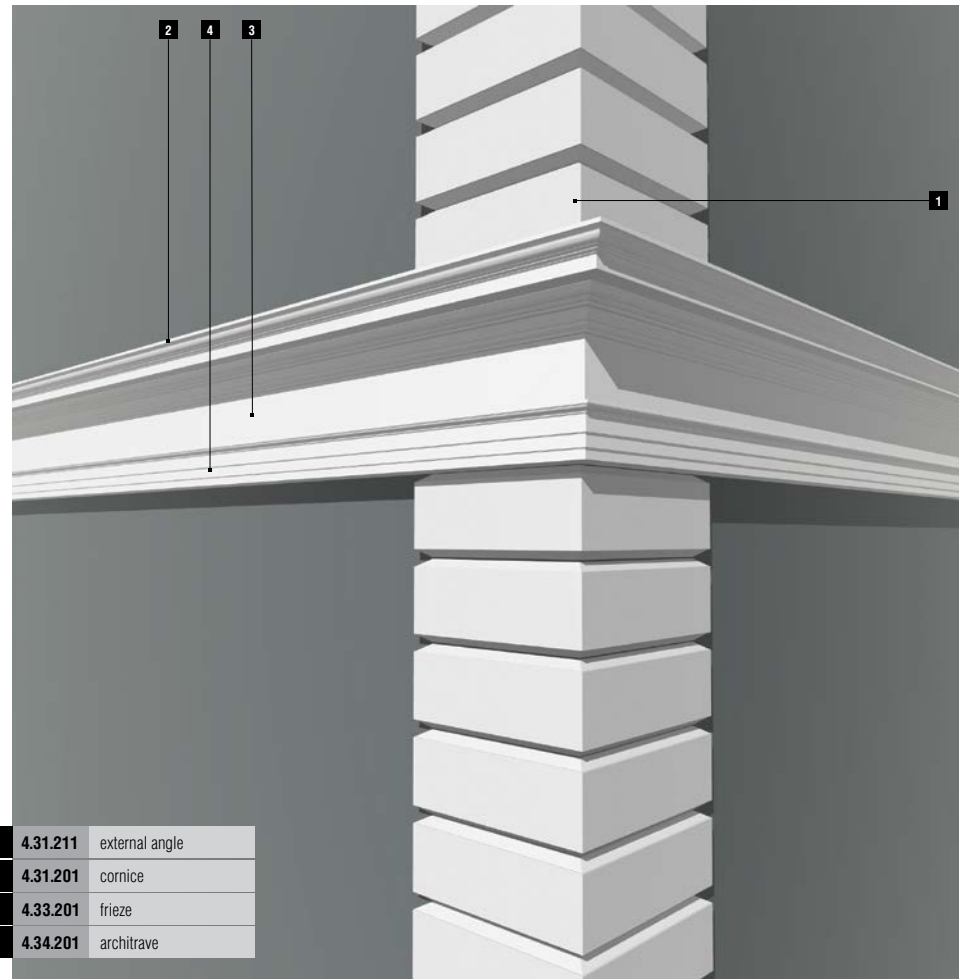
1	4.32.211	external angle
2	4.32.201	cornice

## facade mouldings

examples



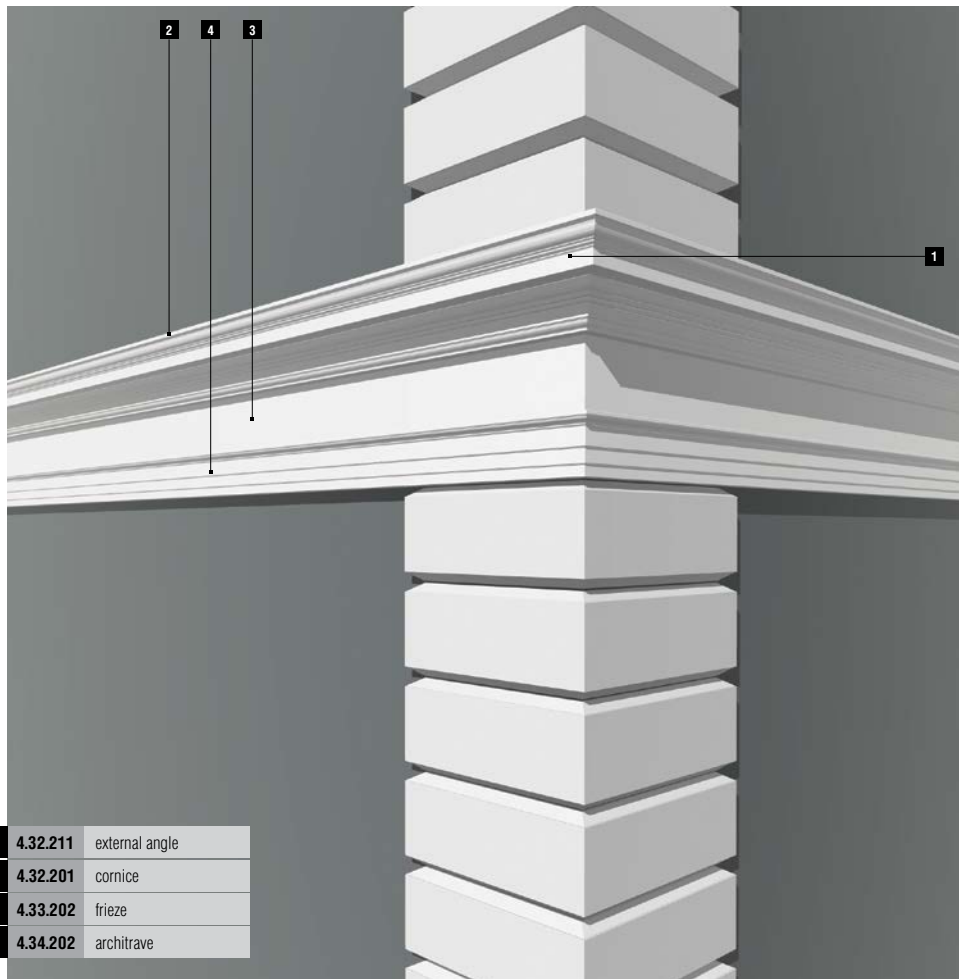
1	4.01.211	external angle
2	4.01.201	cornice
3	4.03.201	frieze
4	4.04.201	architrave



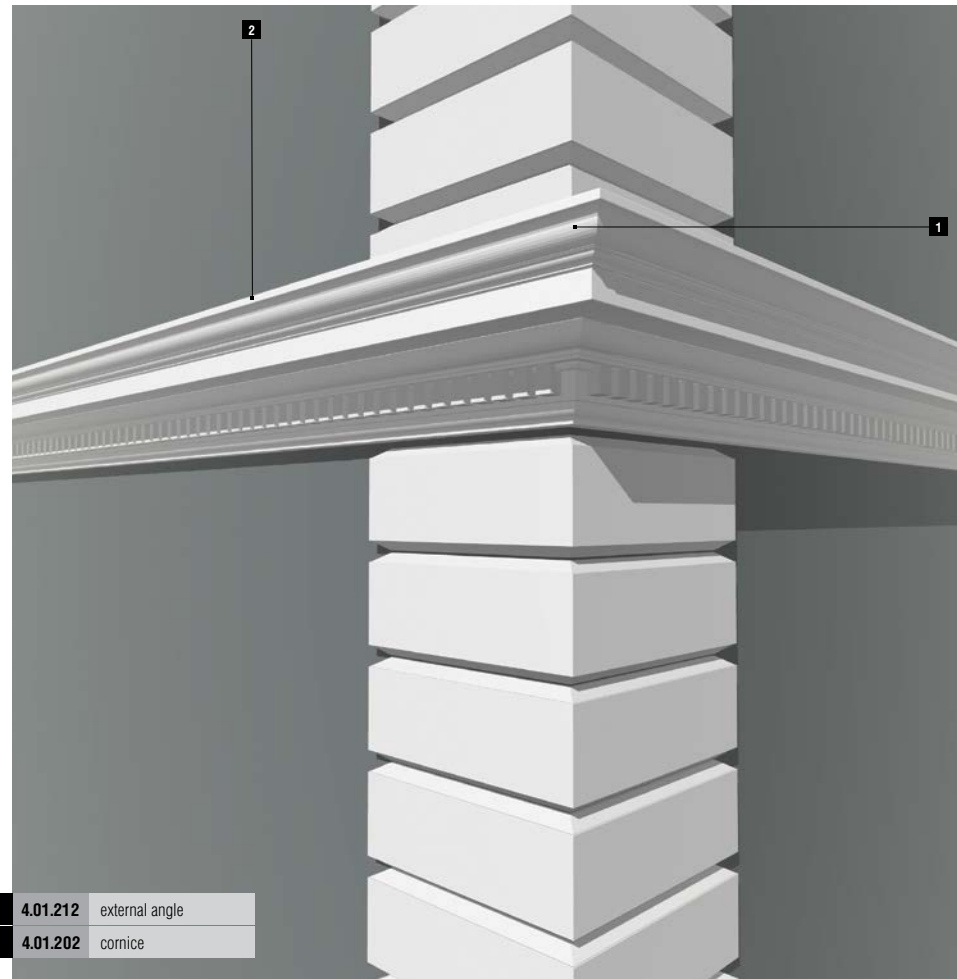
1	4.31.211	external angle
2	4.31.201	cornice
3	4.33.201	frieze
4	4.34.201	architrave

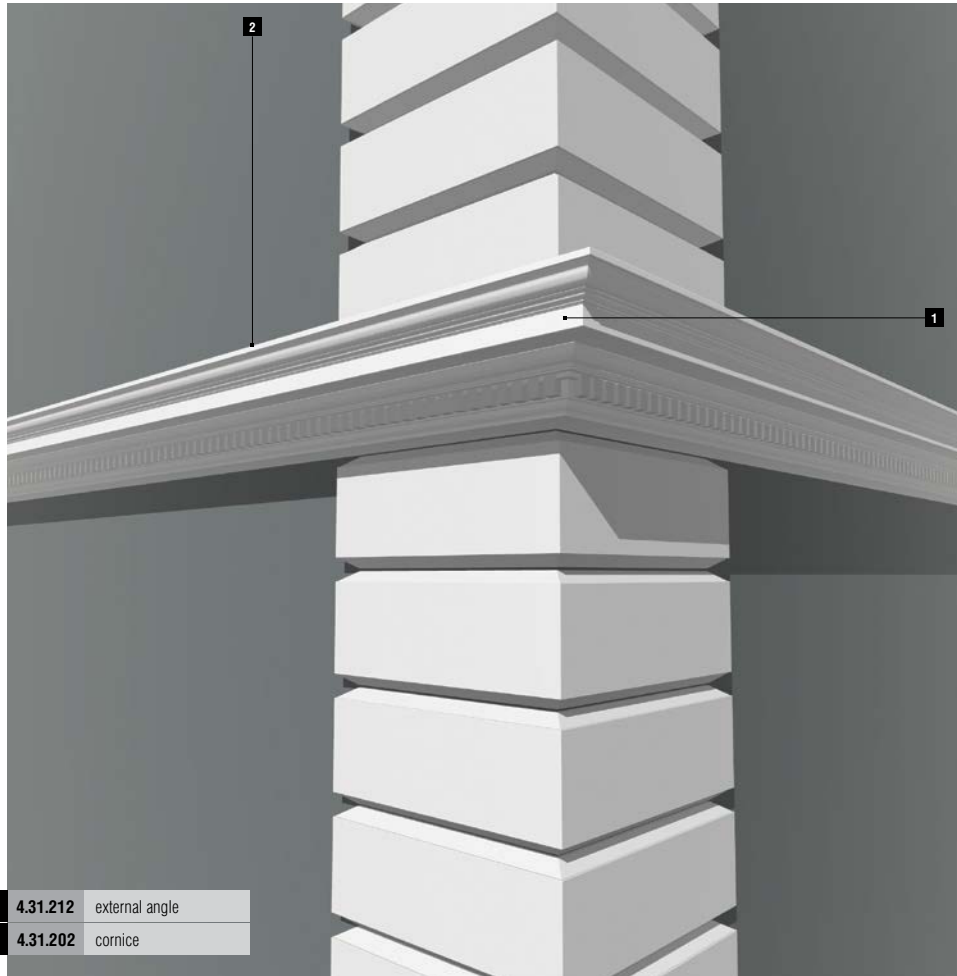


## facade mouldings

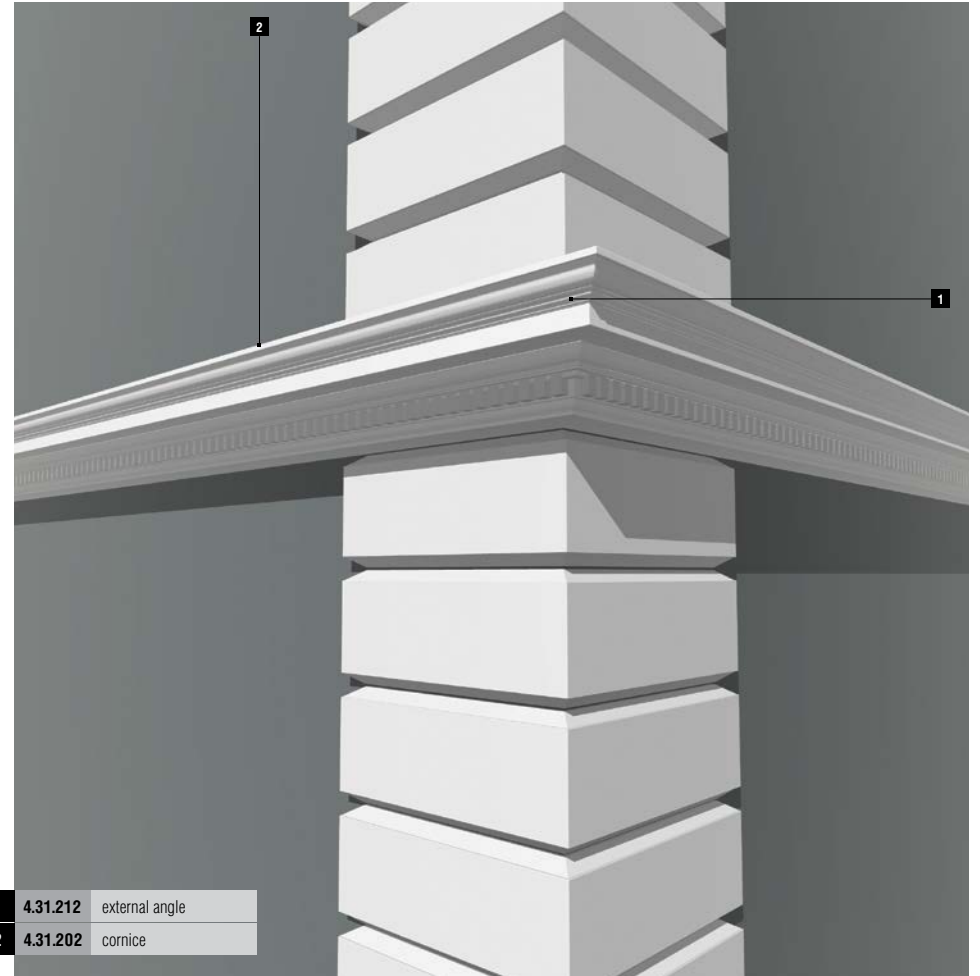


examples





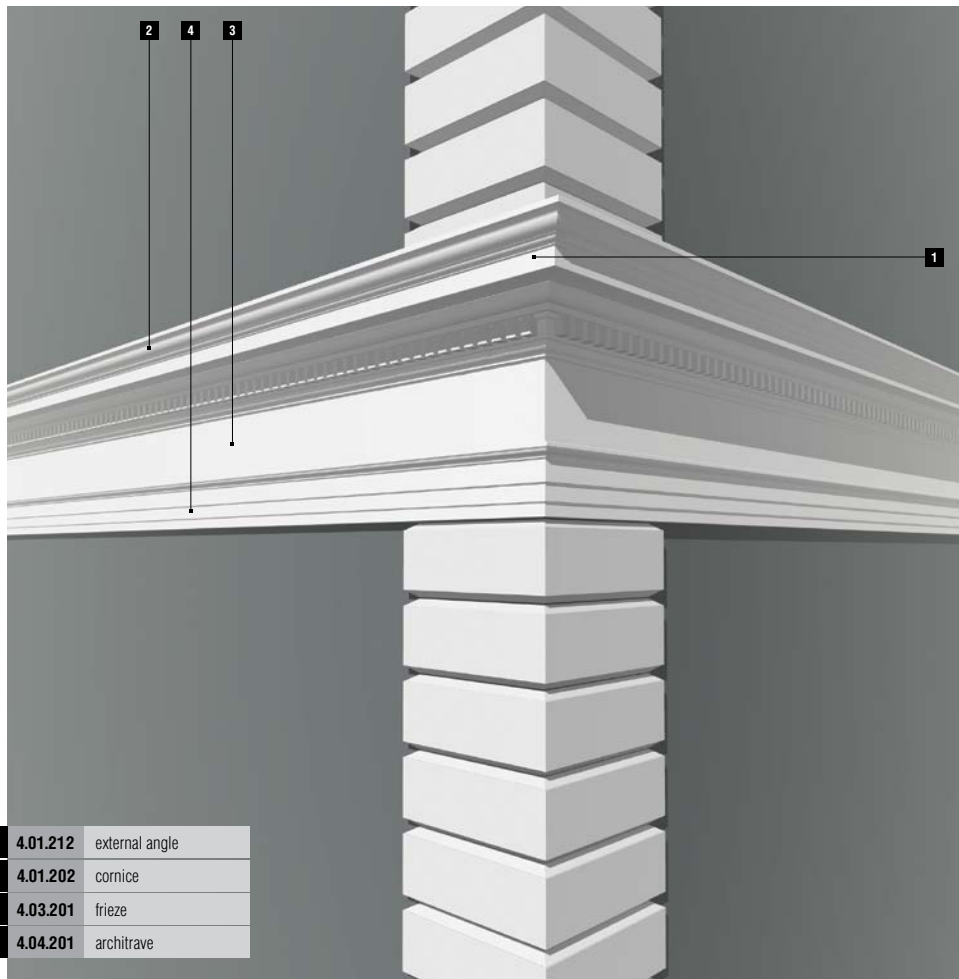
- |   |          |                |
|---|----------|----------------|
| 1 | 4.31.212 | external angle |
| 2 | 4.31.202 | cornice        |



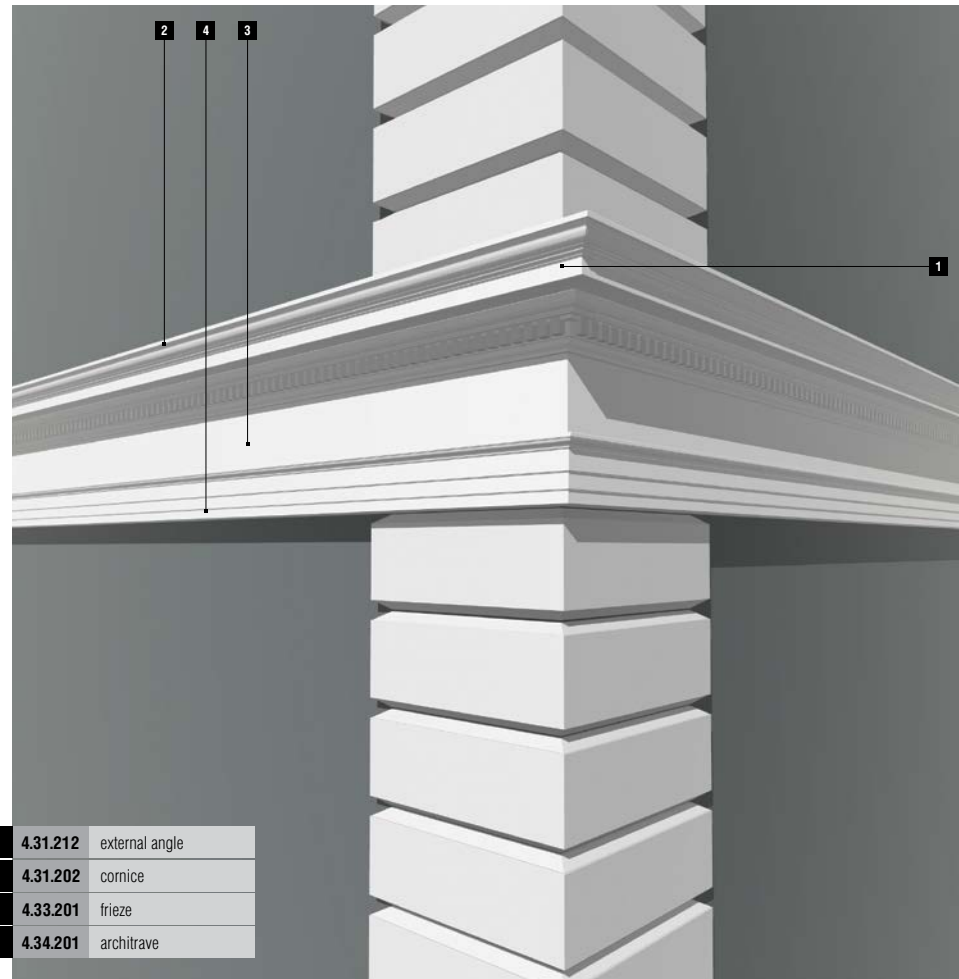
- |   |          |                |
|---|----------|----------------|
| 1 | 4.31.212 | external angle |
| 2 | 4.31.202 | cornice        |

## facade mouldings

examples



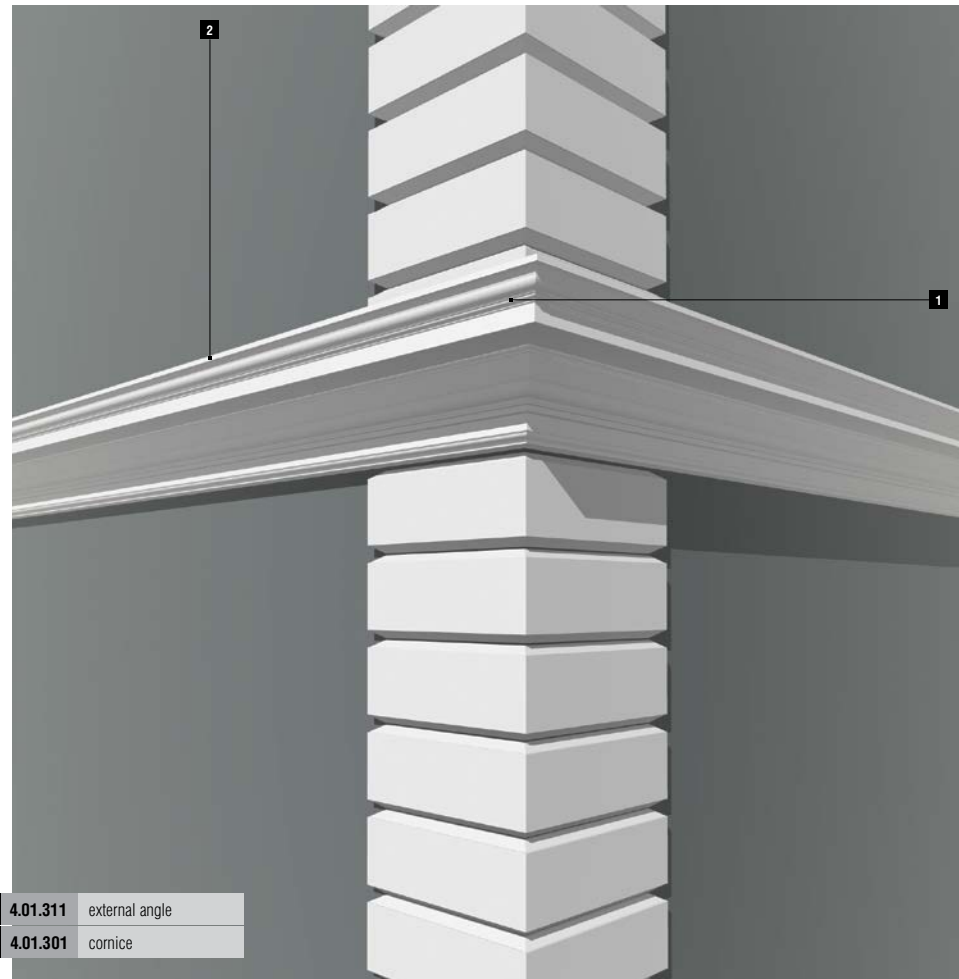
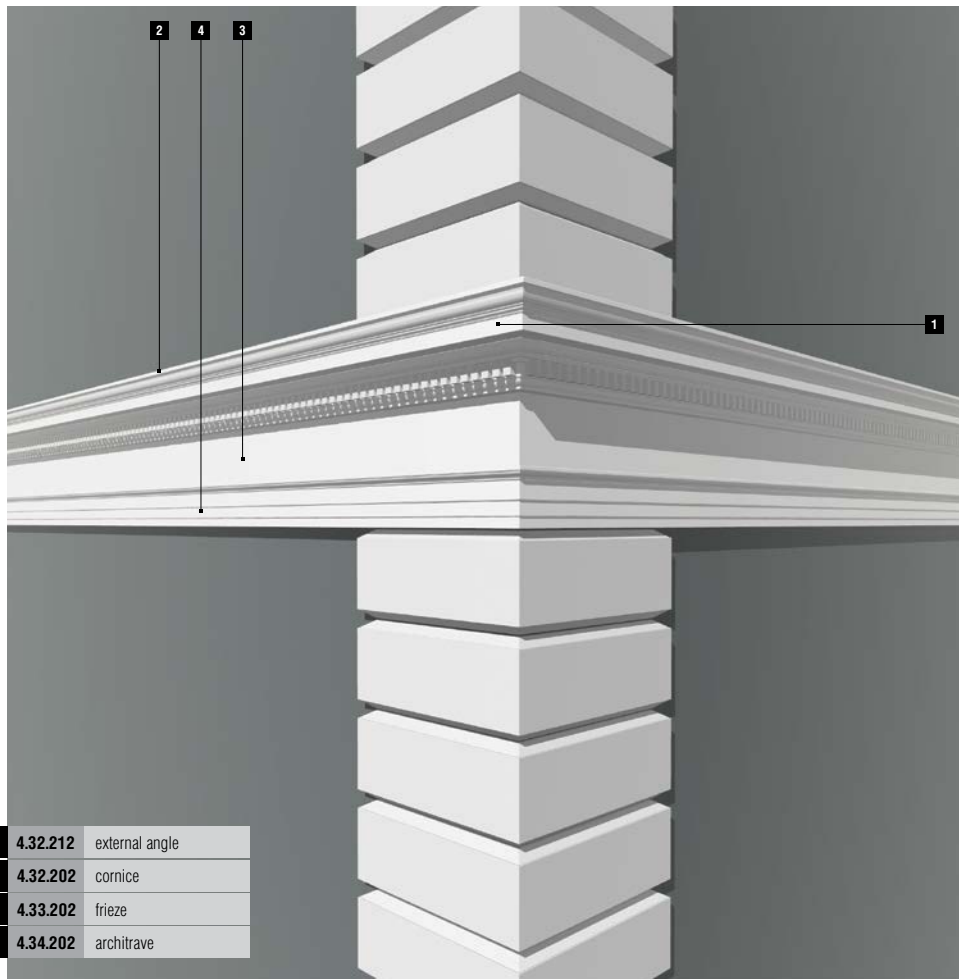
1	4.01.212	external angle
2	4.01.202	cornice
3	4.03.201	frieze
4	4.04.201	architrave

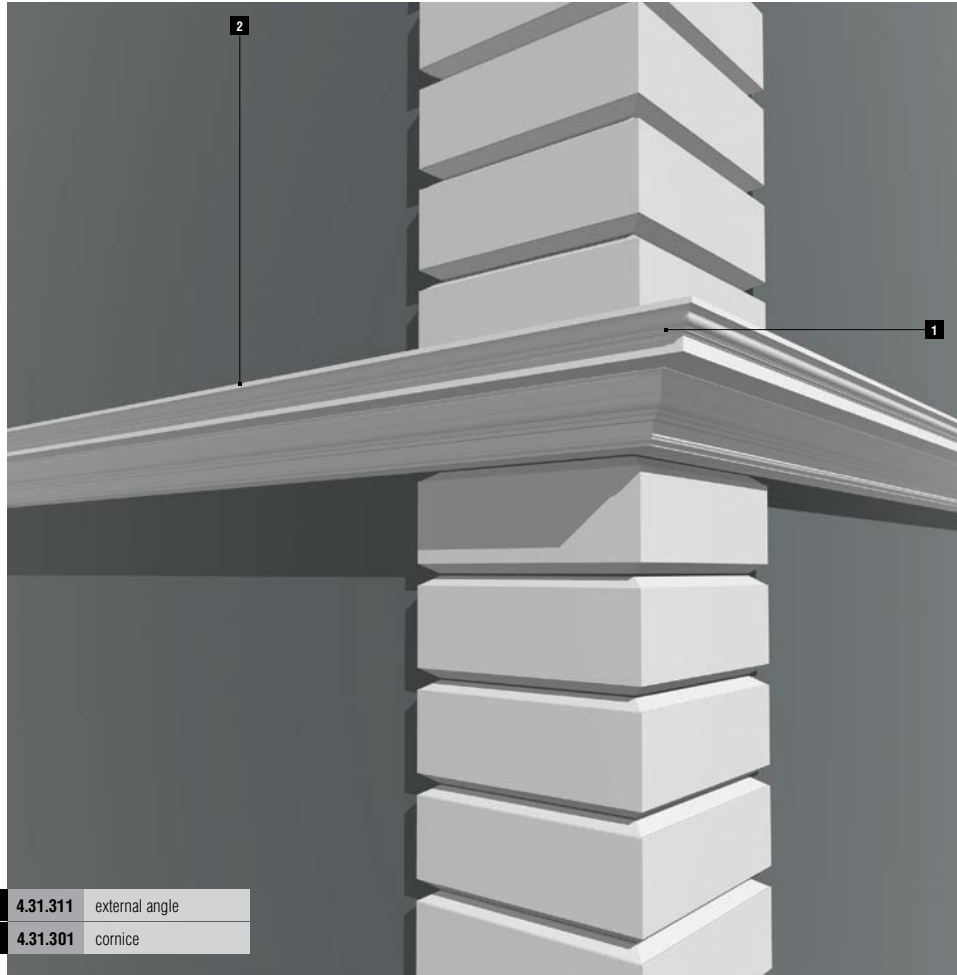


1	4.31.212	external angle
2	4.31.202	cornice
3	4.33.201	frieze
4	4.34.201	architrave

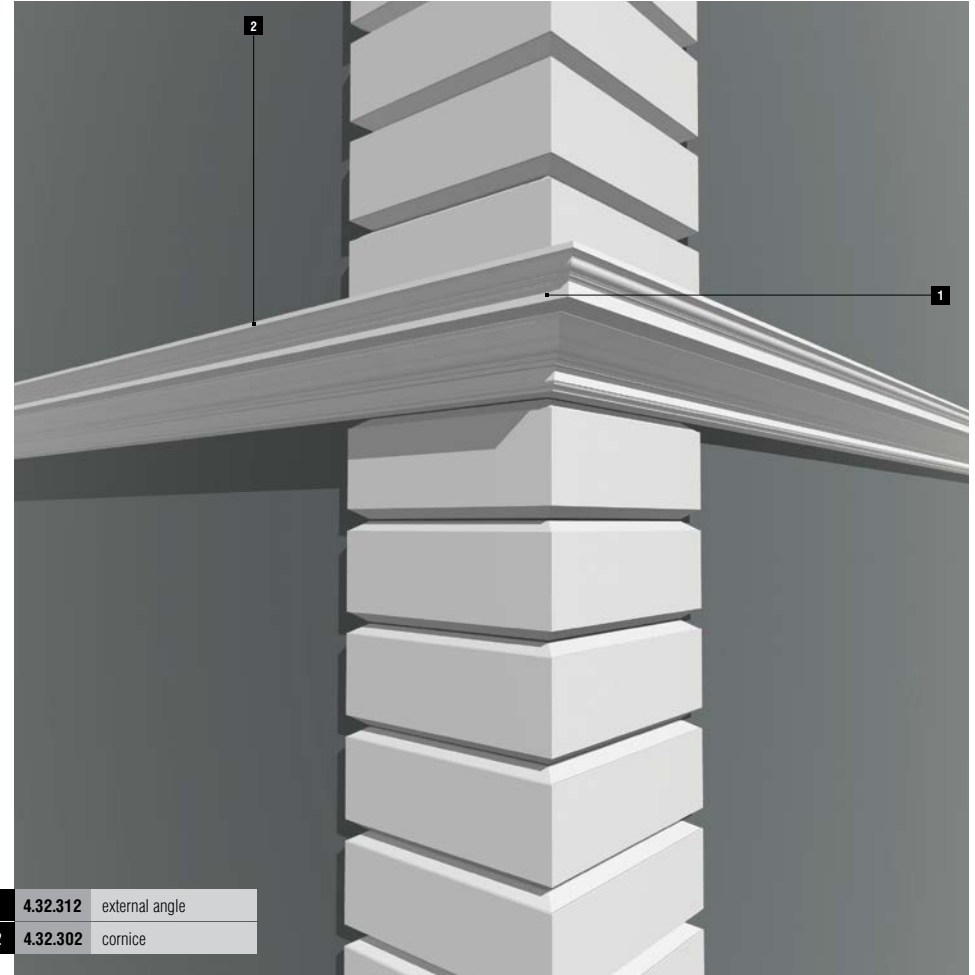
## facade mouldings

examples

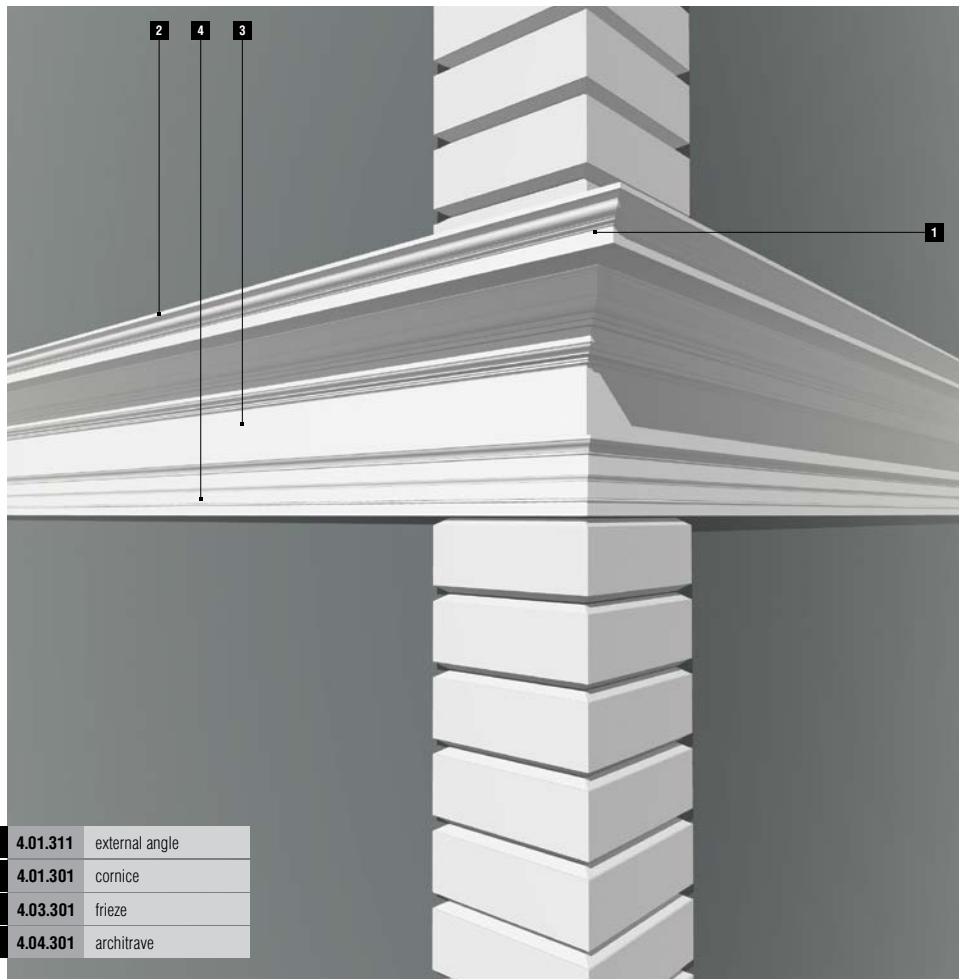




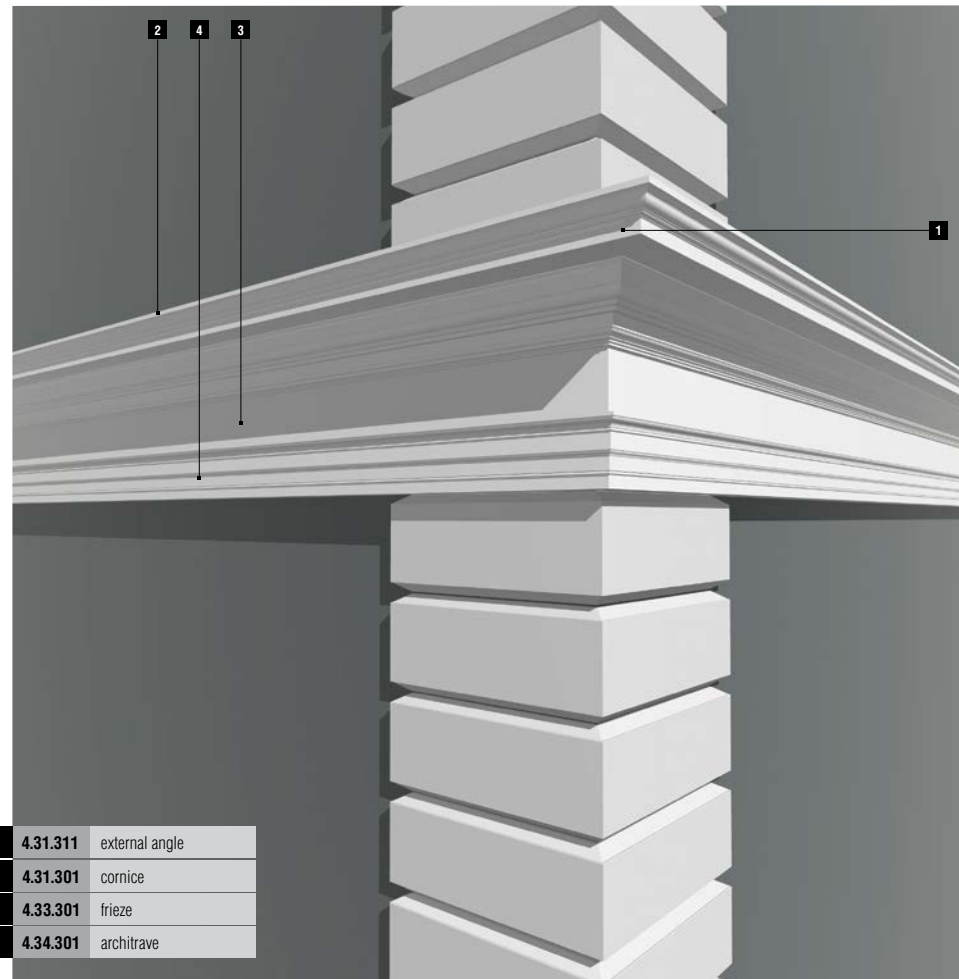
1	4.31.311	external angle
2	4.31.301	cornice



1	4.32.312	external angle
2	4.32.302	cornice

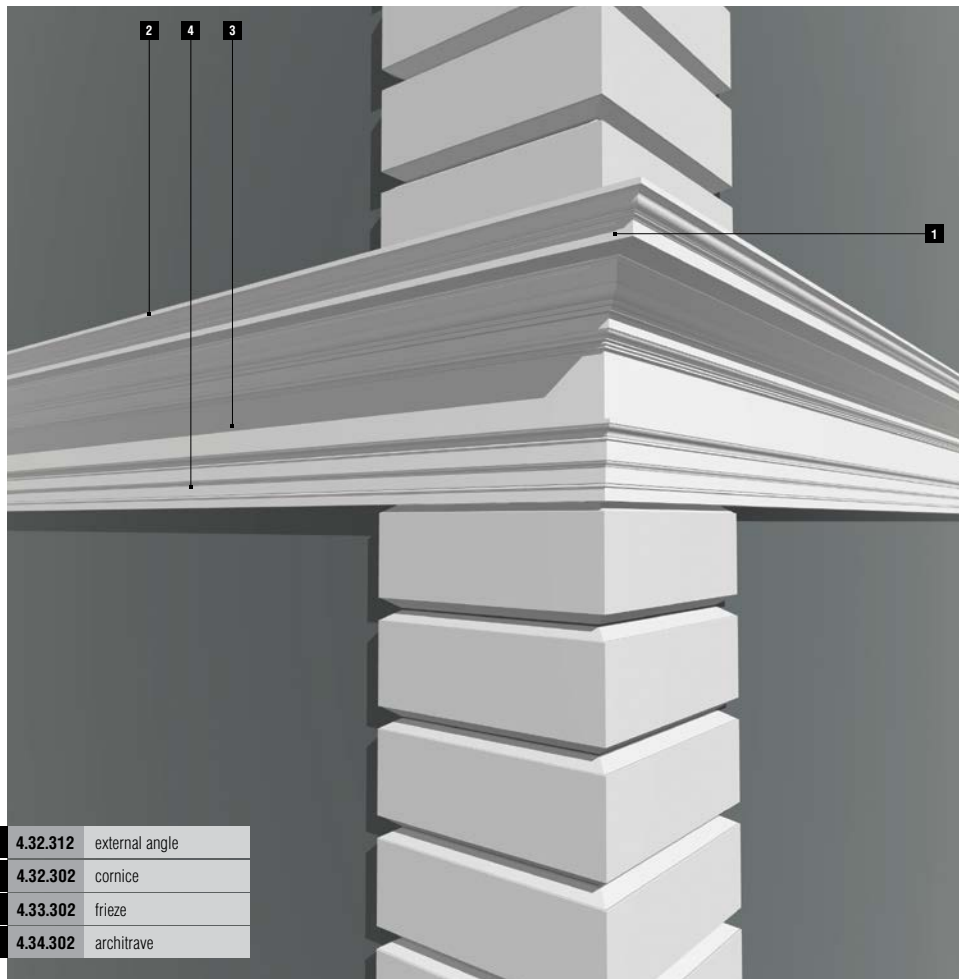


1	4.01.311	external angle
2	4.01.301	cornice
3	4.03.301	frieze
4	4.04.301	architrave

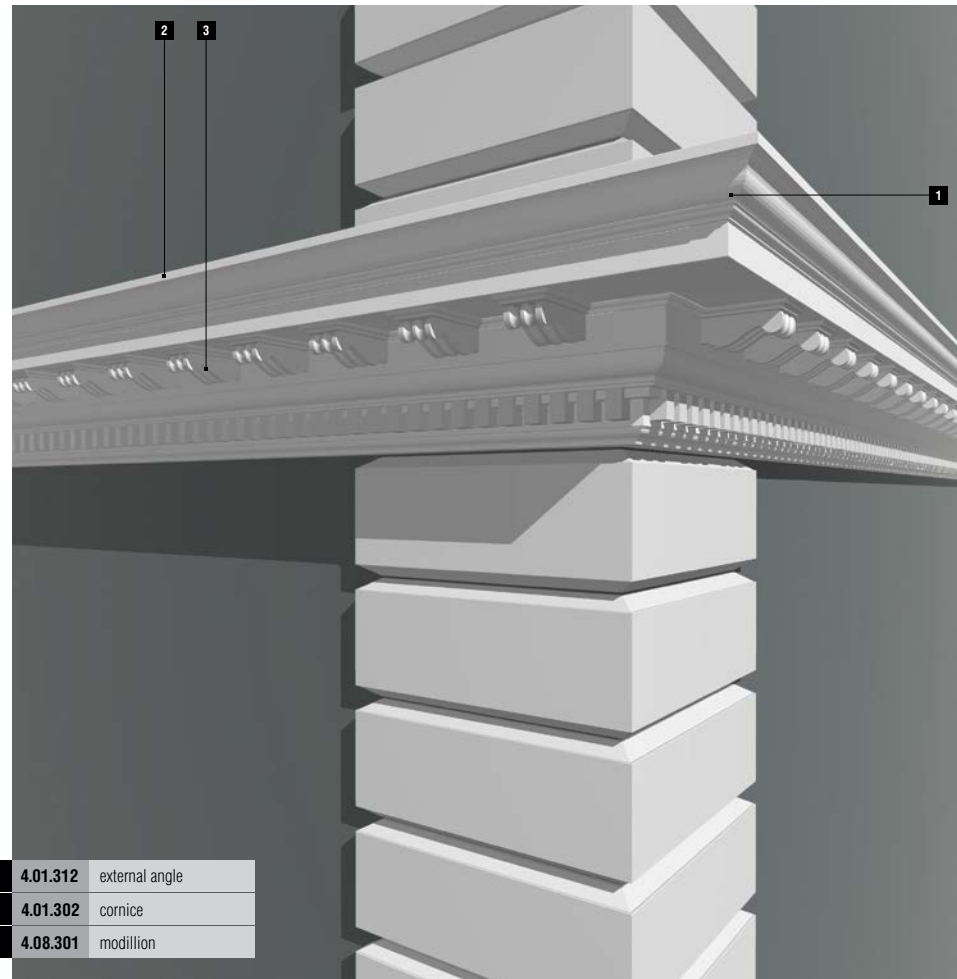


1	4.31.311	external angle
2	4.31.301	cornice
3	4.33.301	frieze
4	4.34.301	architrave

## facade mouldings



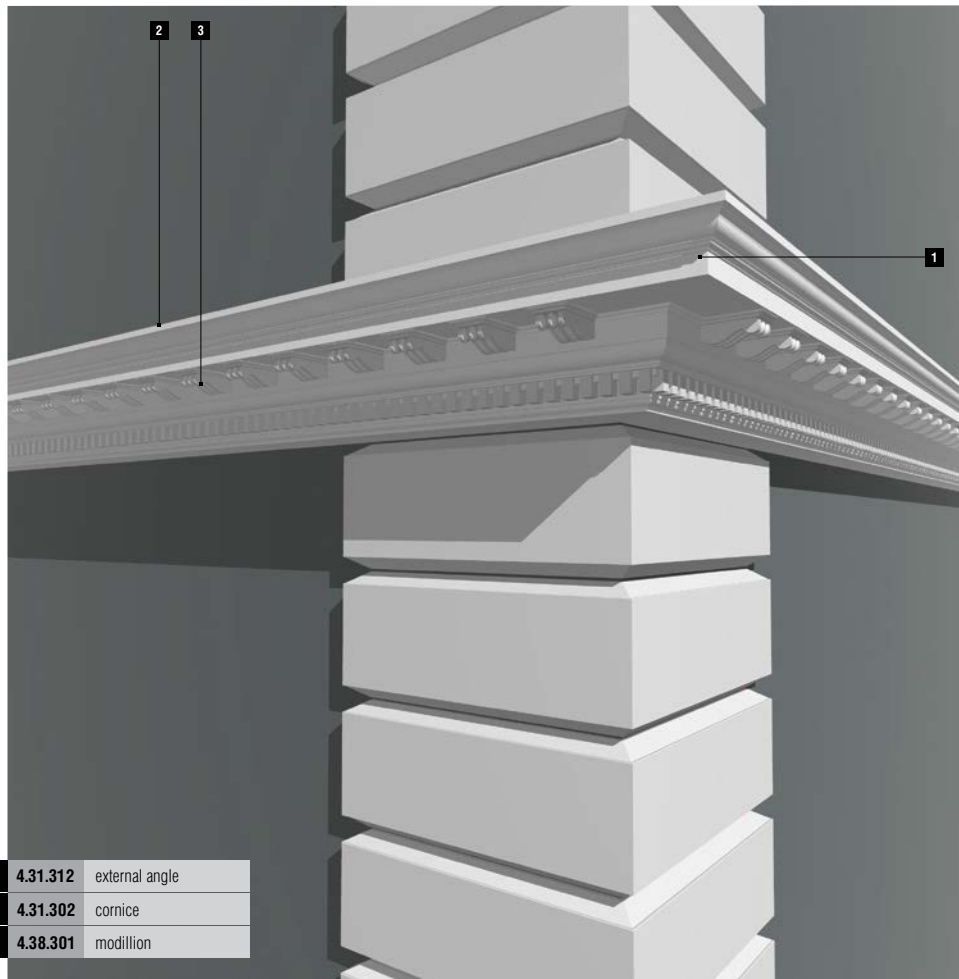
examples



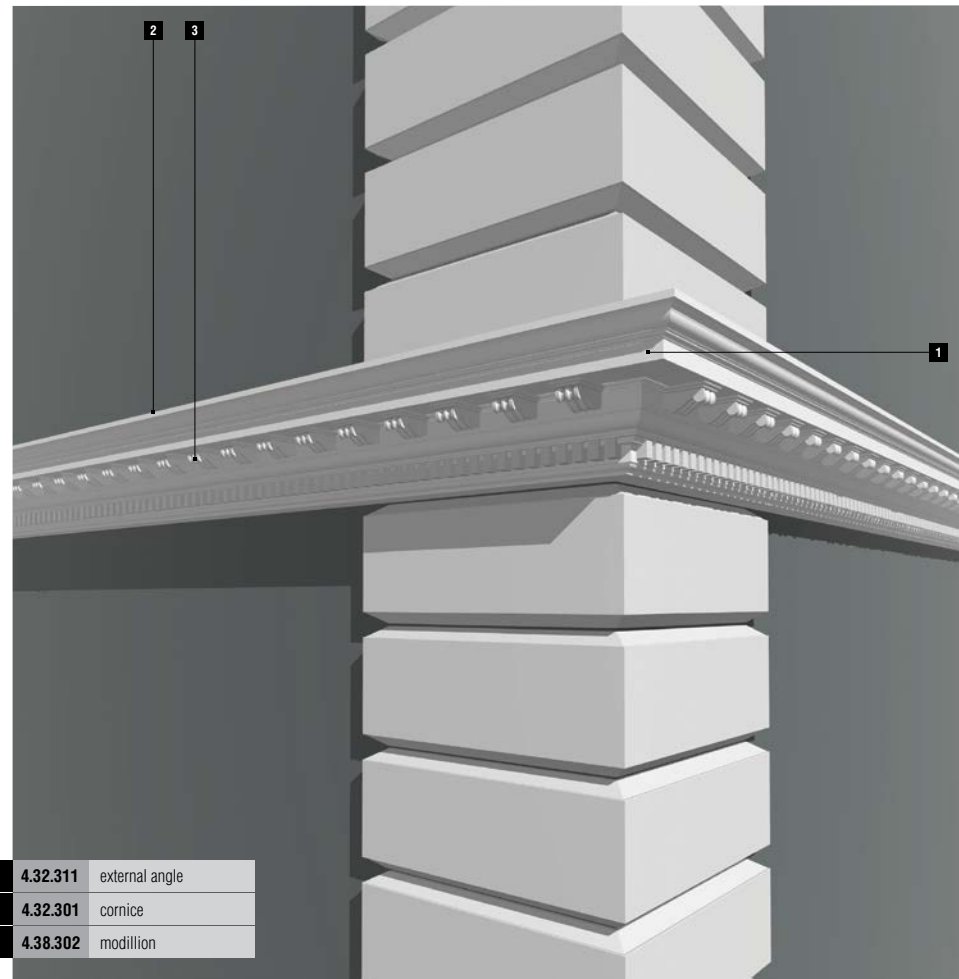


## facade mouldings

examples

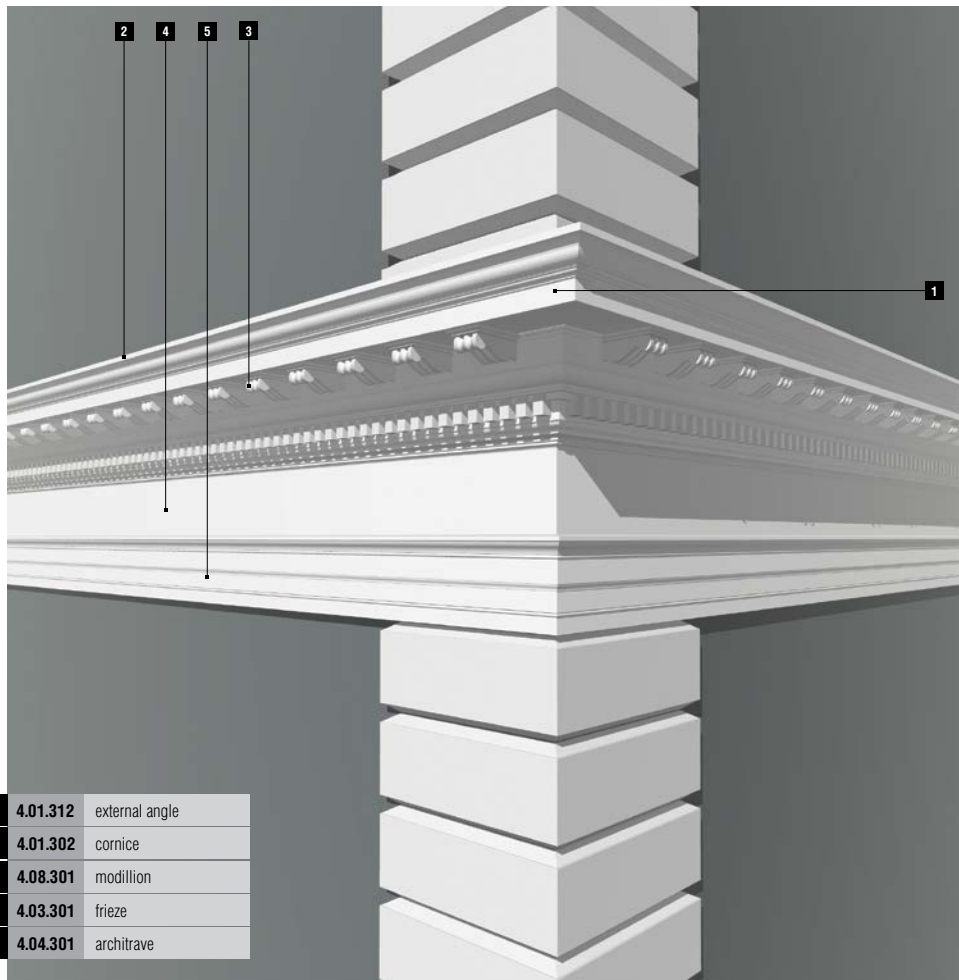


1	4.31.312	external angle
2	4.31.302	cornice
3	4.38.301	modillion

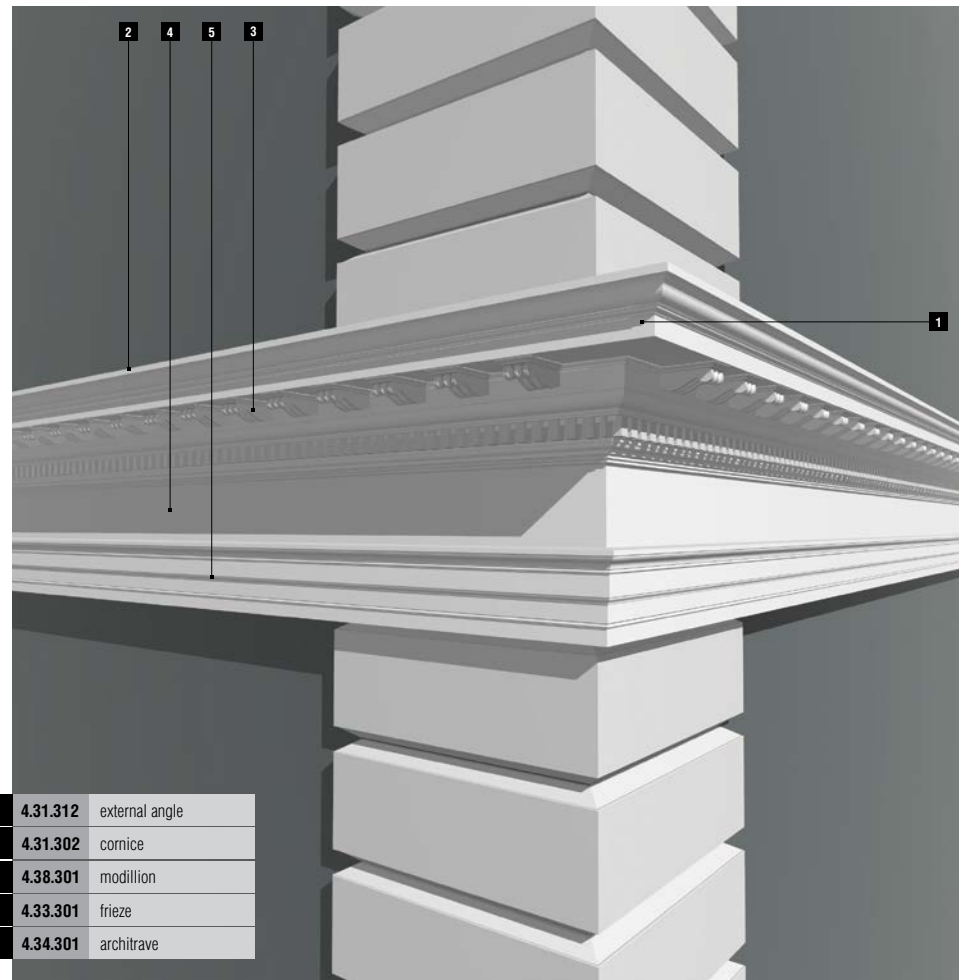


1	4.32.311	external angle
2	4.32.301	cornice
3	4.38.302	modillion



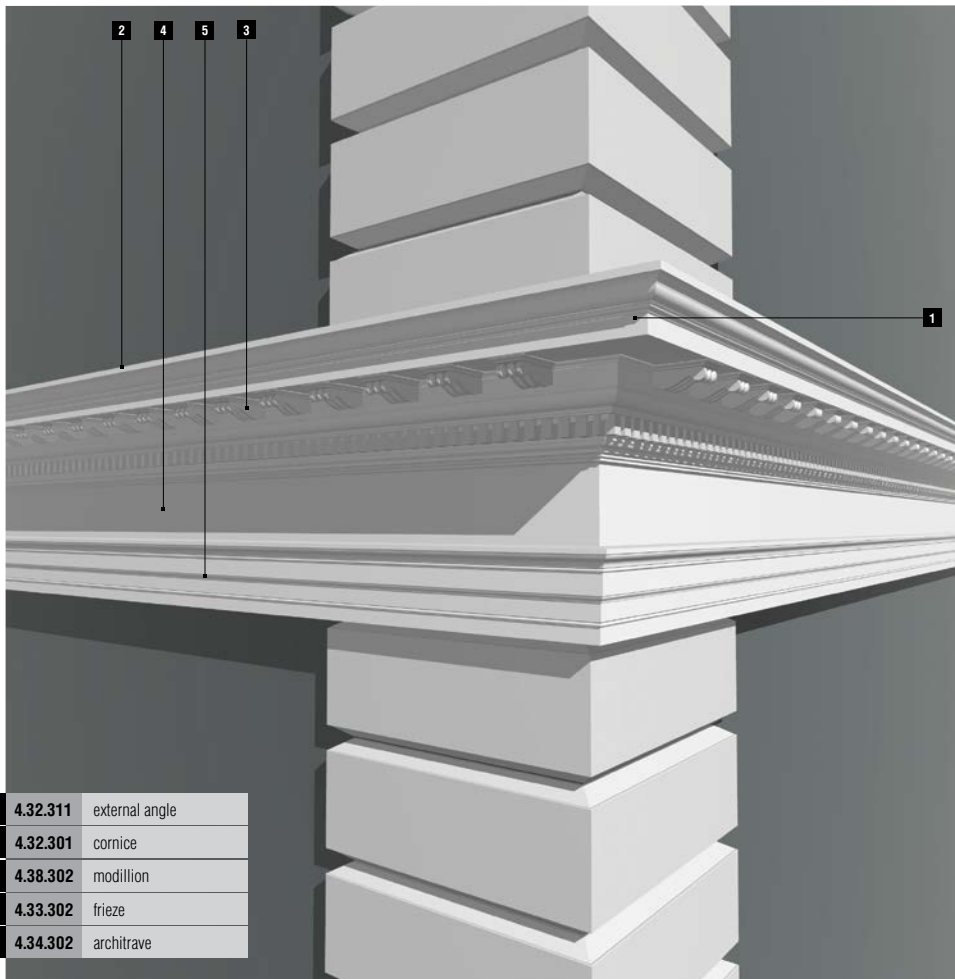


1	4.01.312	external angle
2	4.01.302	cornice
3	4.08.301	modillion
4	4.03.301	frieze
5	4.04.301	architrave

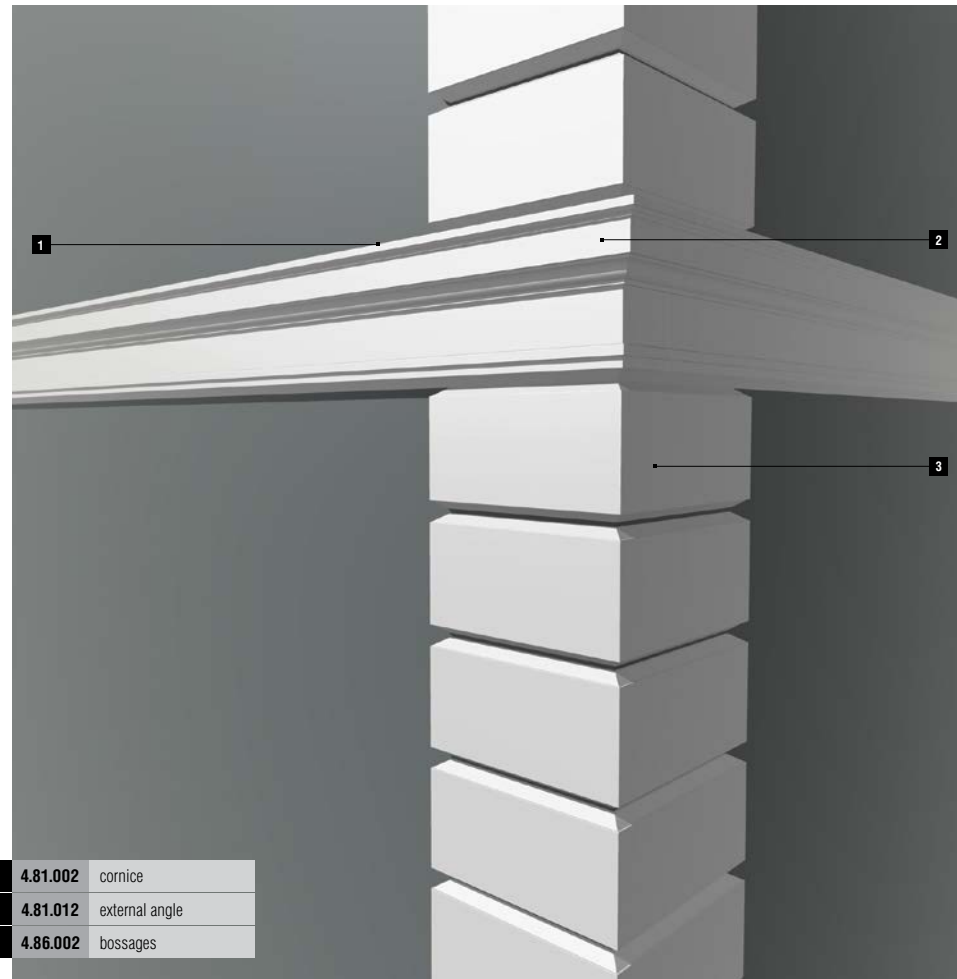


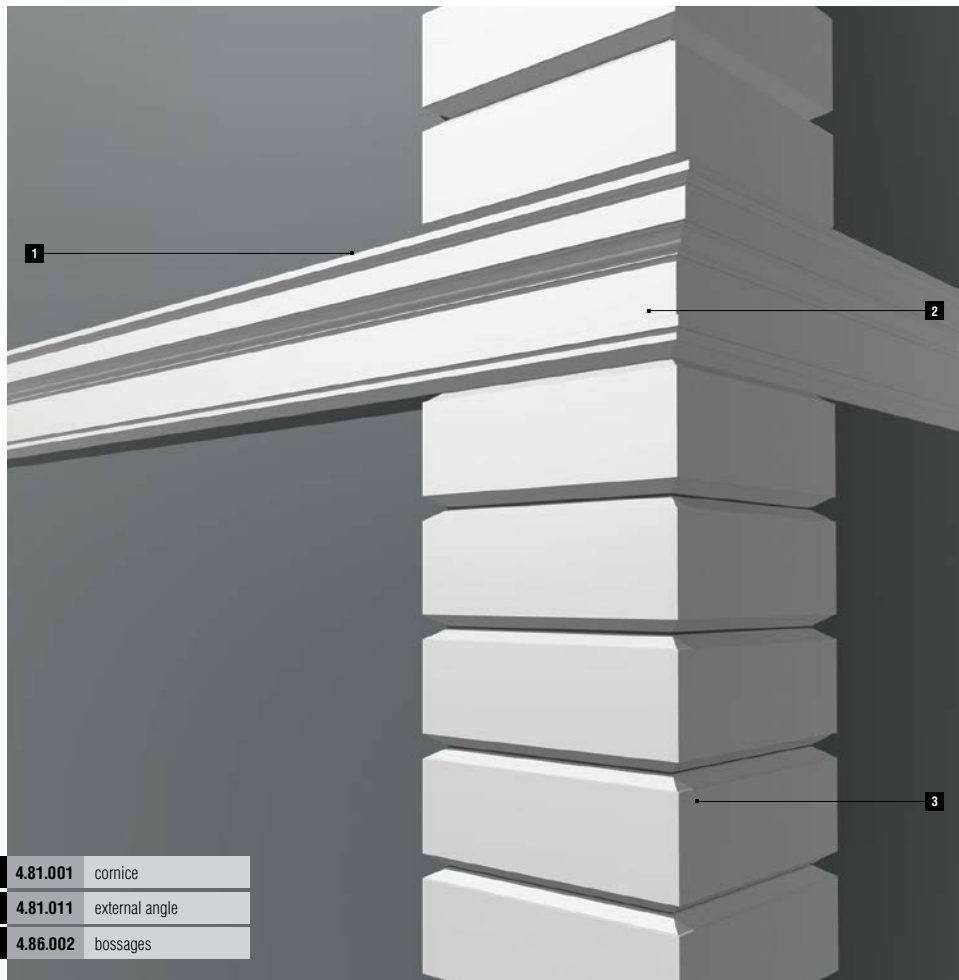
1	4.31.312	external angle
2	4.31.302	cornice
3	4.38.301	modillion
4	4.33.301	frieze
5	4.34.301	architrave

## facade mouldings

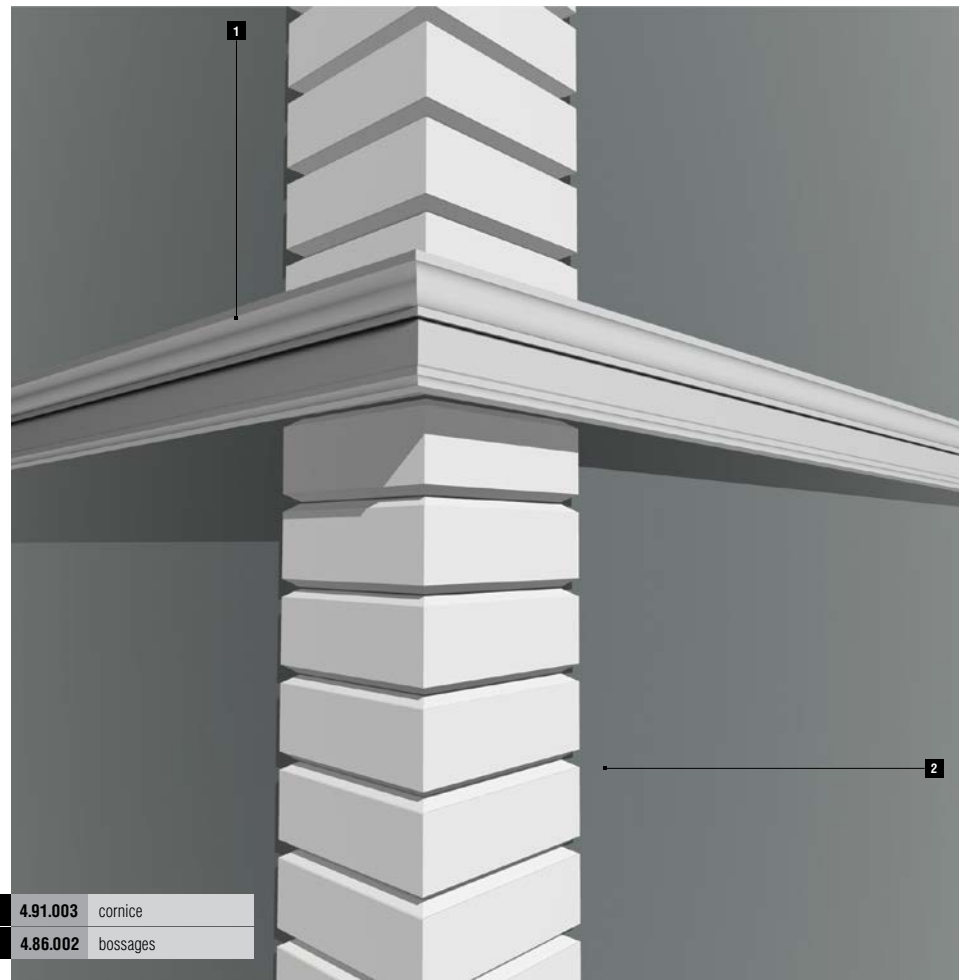


examples





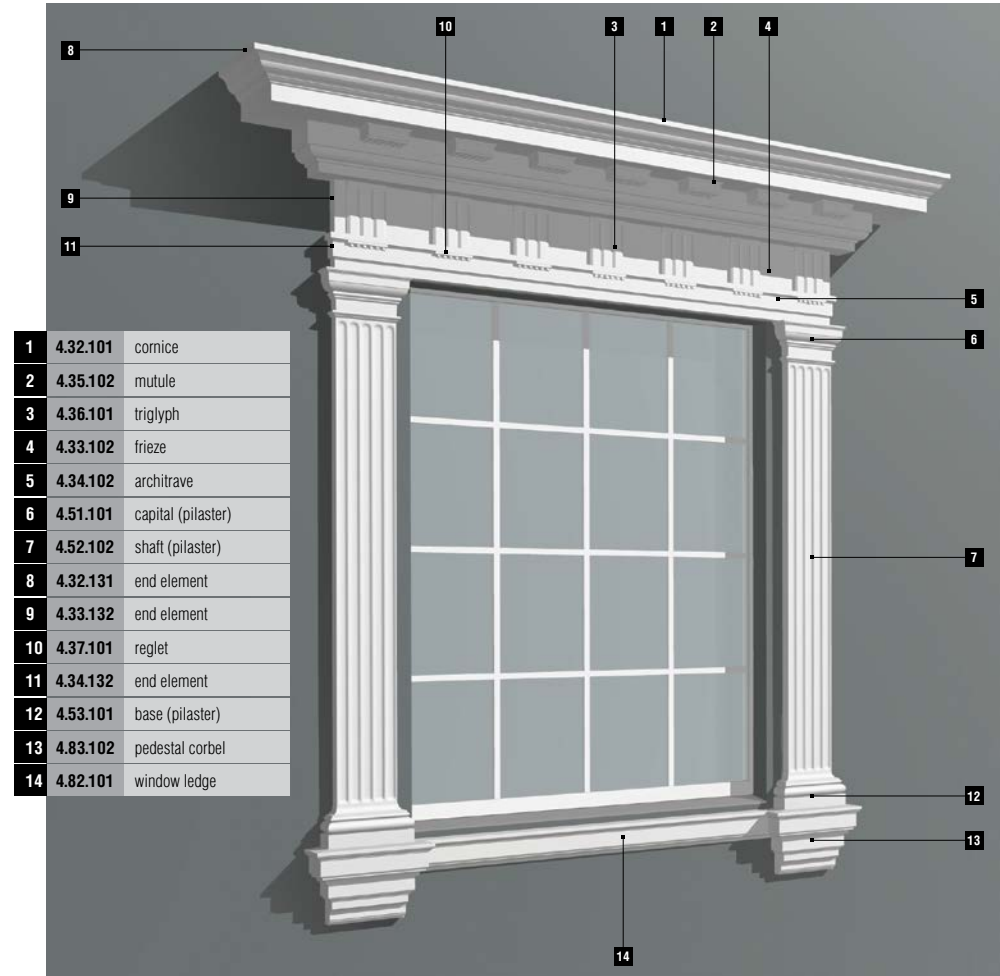
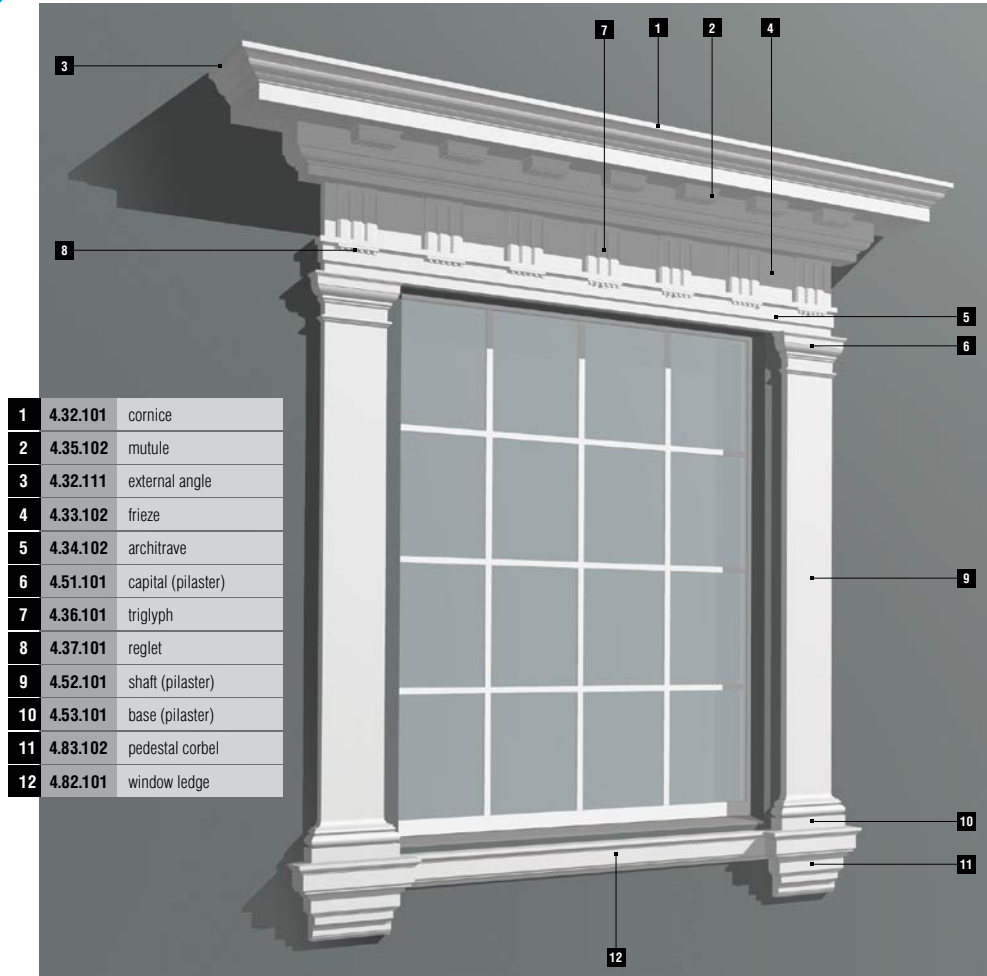
1	4.81.001	cornice
2	4.81.011	external angle
3	4.86.002	bossages



1	4.91.003	cornice
2	4.86.002	bossages

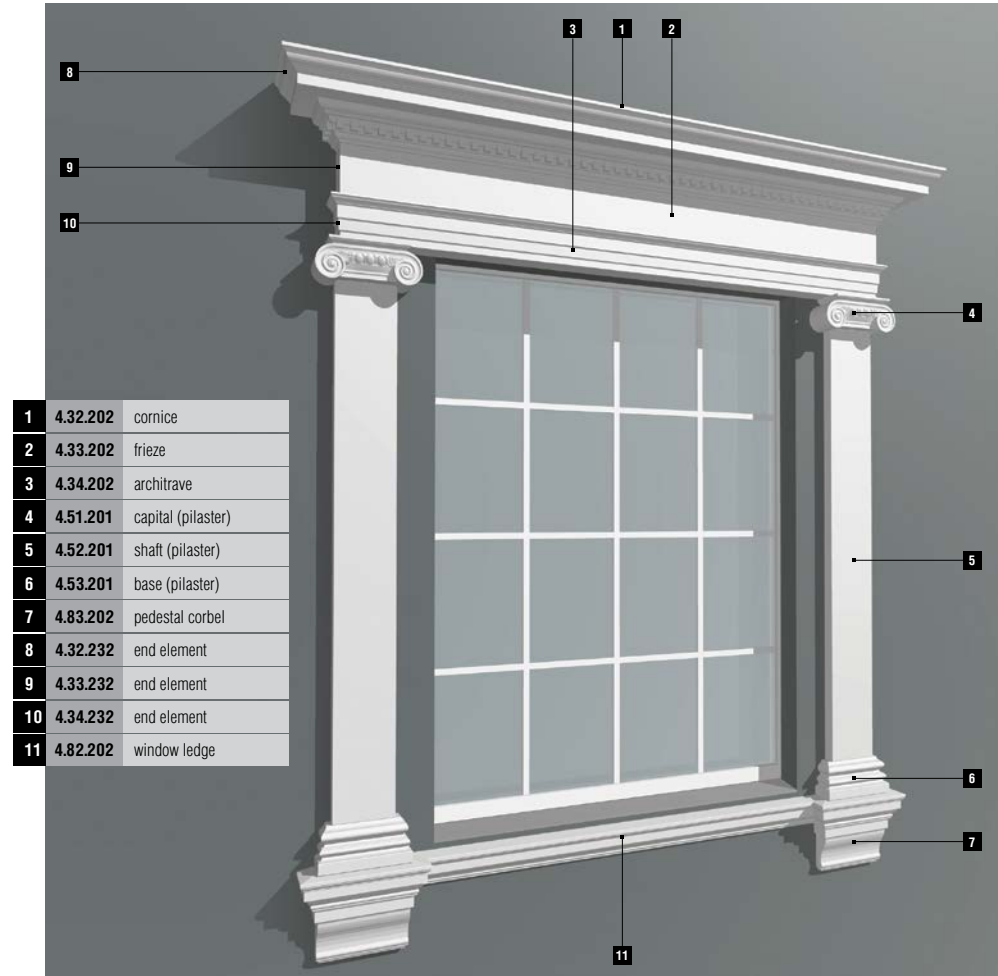
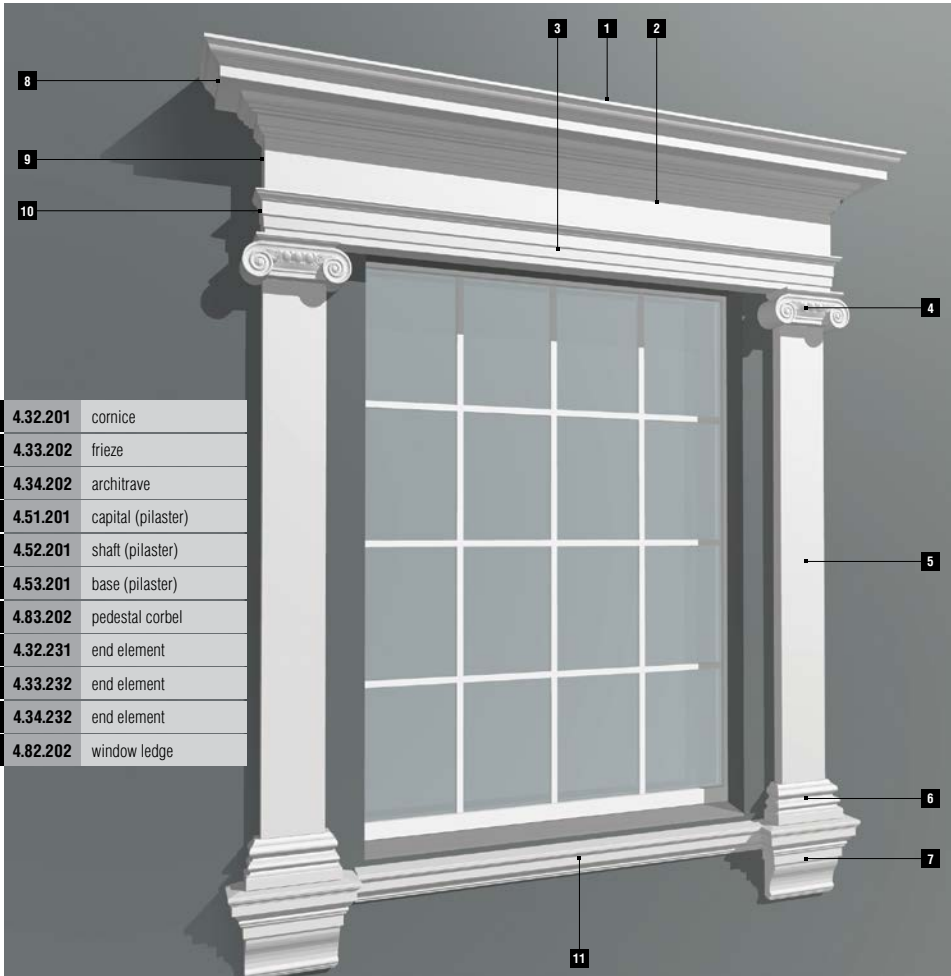
## windows with pilasters

examples



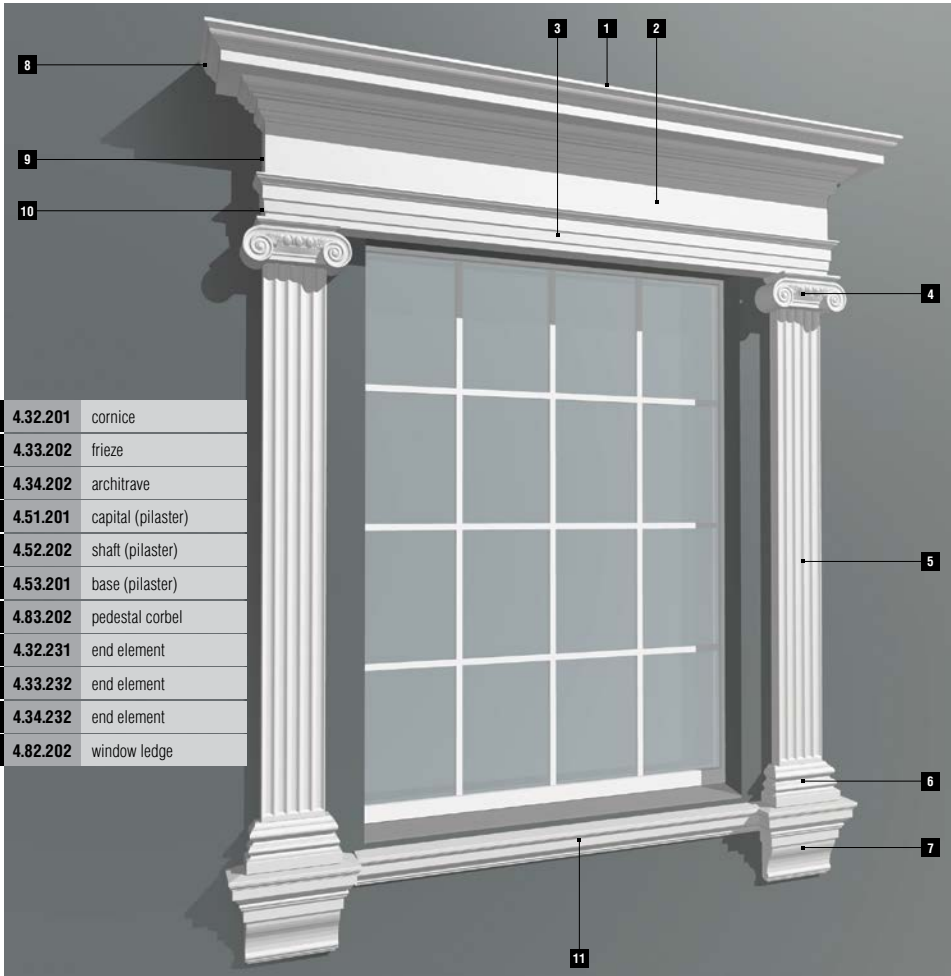
## windows with pilasters

examples

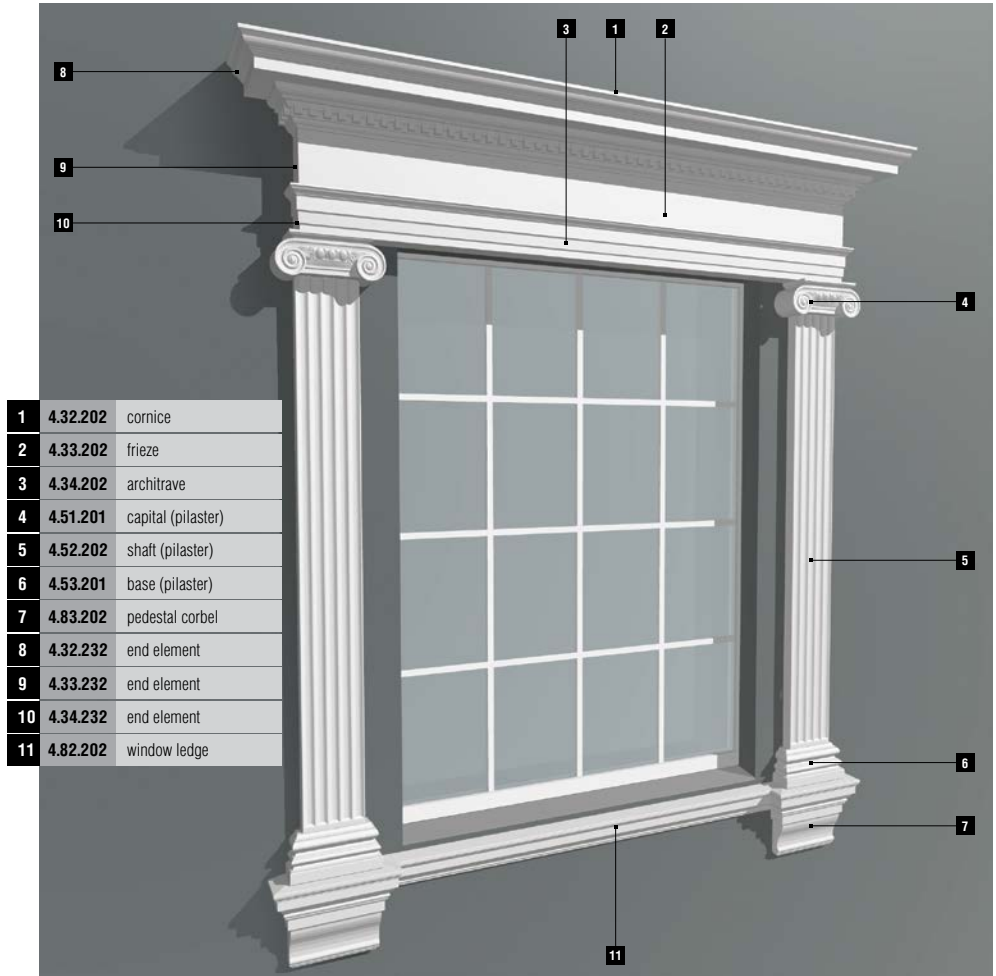


## windows with pilasters

examples



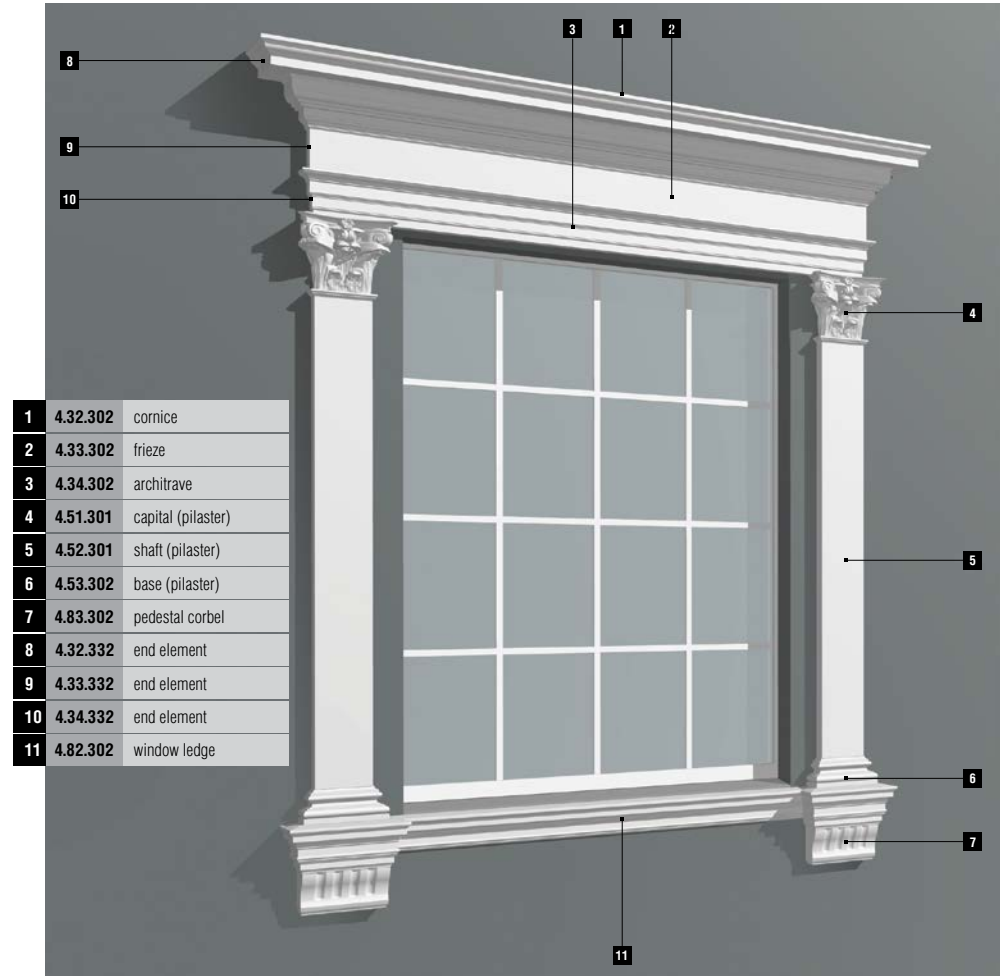
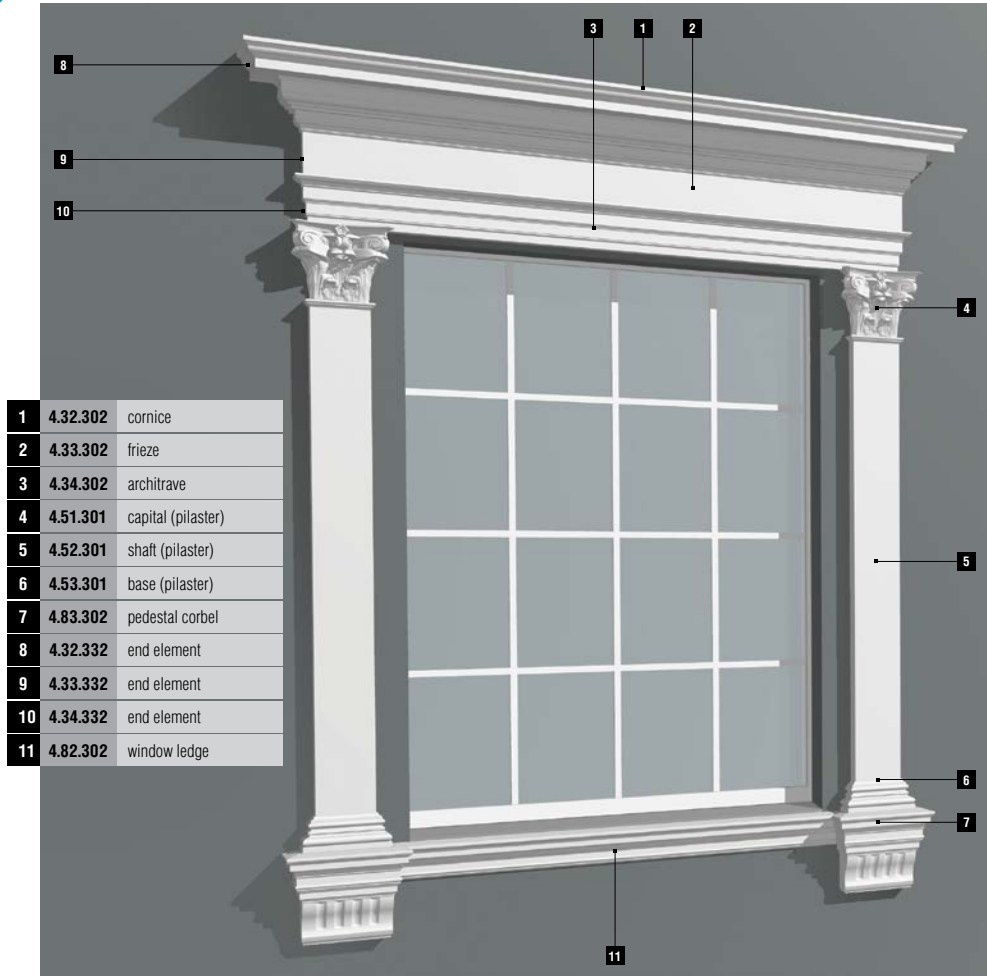
1	4.32.201	cornice
2	4.33.202	frieze
3	4.34.202	architrave
4	4.51.201	capital (pilaster)
5	4.52.202	shaft (pilaster)
6	4.53.201	base (pilaster)
7	4.83.202	pedestal corbel
8	4.32.231	end element
9	4.33.232	end element
10	4.34.232	end element
11	4.82.202	window ledge



1	4.32.202	cornice
2	4.33.202	frieze
3	4.34.202	architrave
4	4.51.201	capital (pilaster)
5	4.52.202	shaft (pilaster)
6	4.53.201	base (pilaster)
7	4.83.202	pedestal corbel
8	4.32.232	end element
9	4.33.232	end element
10	4.34.232	end element
11	4.82.202	window ledge

## windows with pilasters

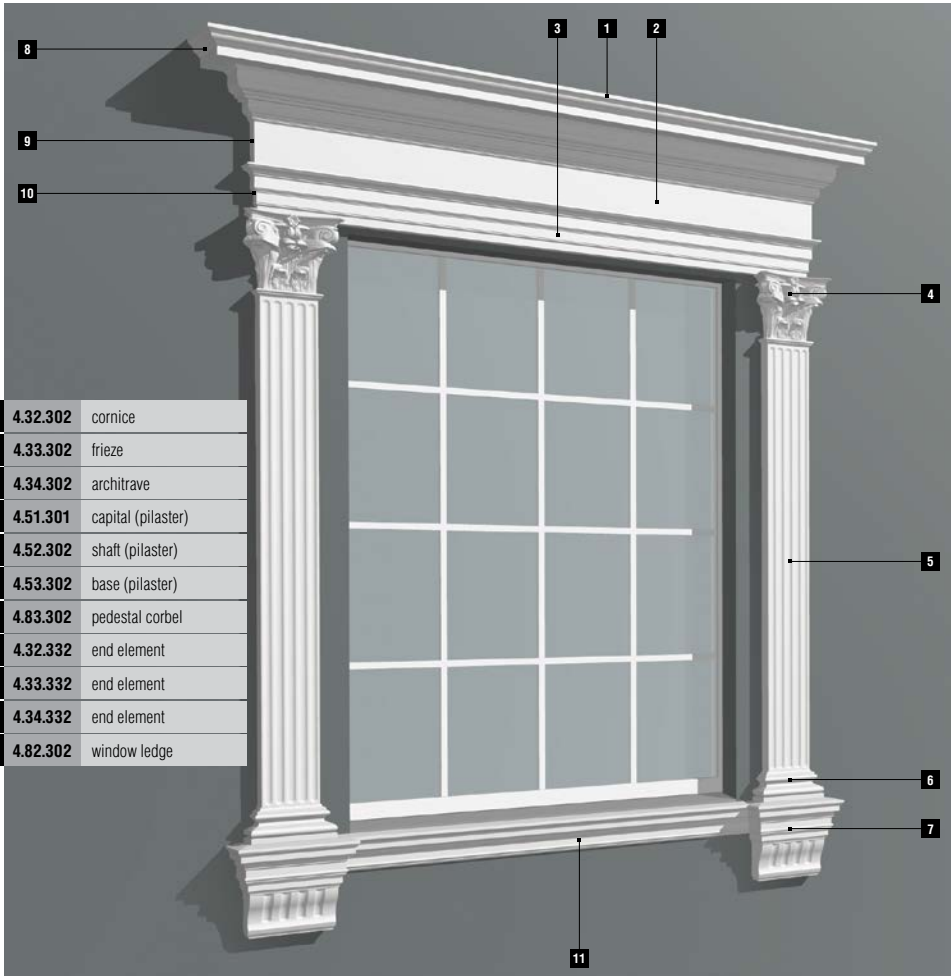
examples



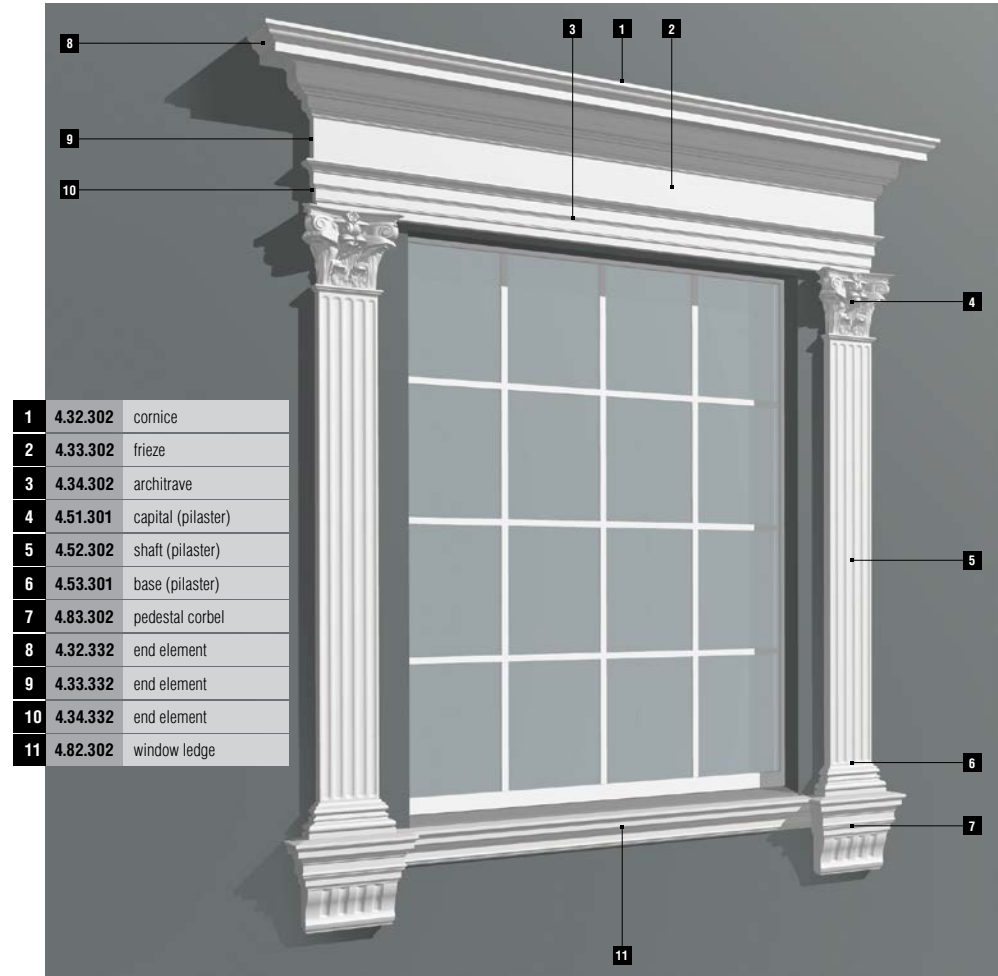


## windows with pilasters

examples



1	4.32.302	cornice
2	4.33.302	frieze
3	4.34.302	architrave
4	4.51.301	capital (pilaster)
5	4.52.302	shaft (pilaster)
6	4.53.302	base (pilaster)
7	4.83.302	pedestal corbel
8	4.32.332	end element
9	4.33.332	end element
10	4.34.332	end element
11	4.82.302	window ledge

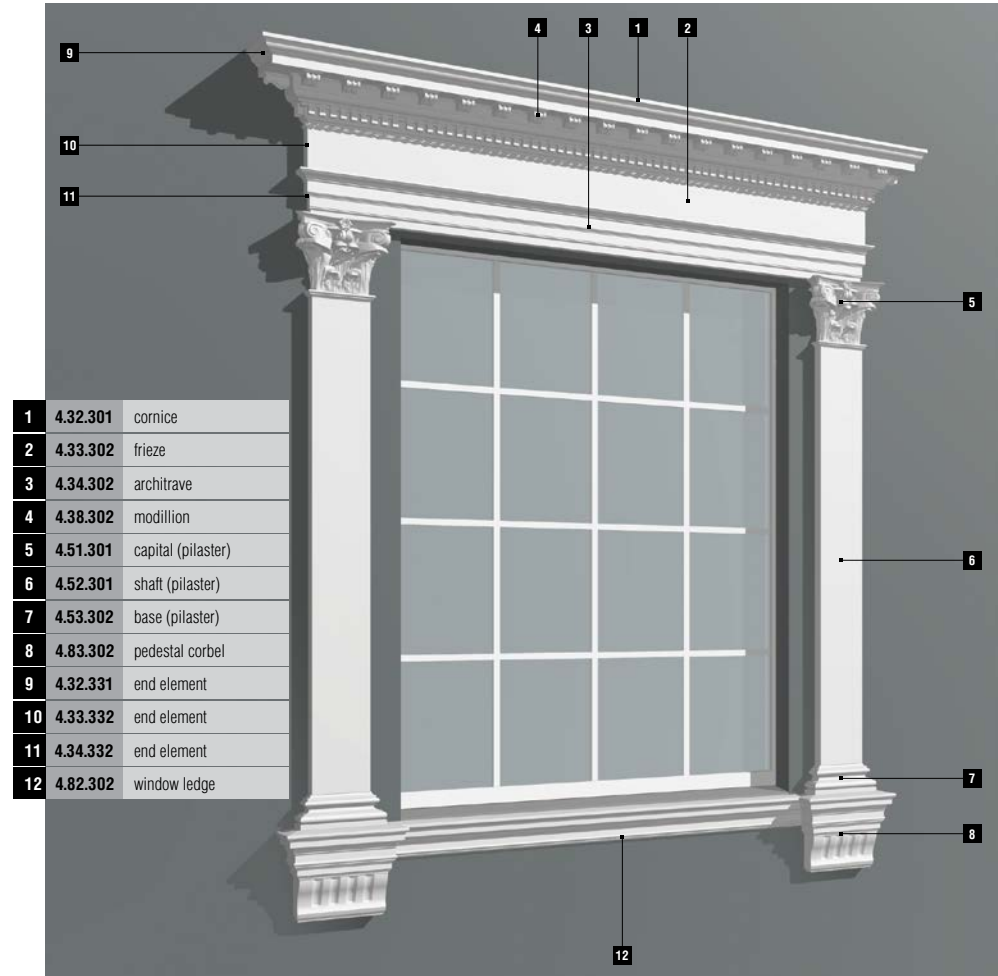
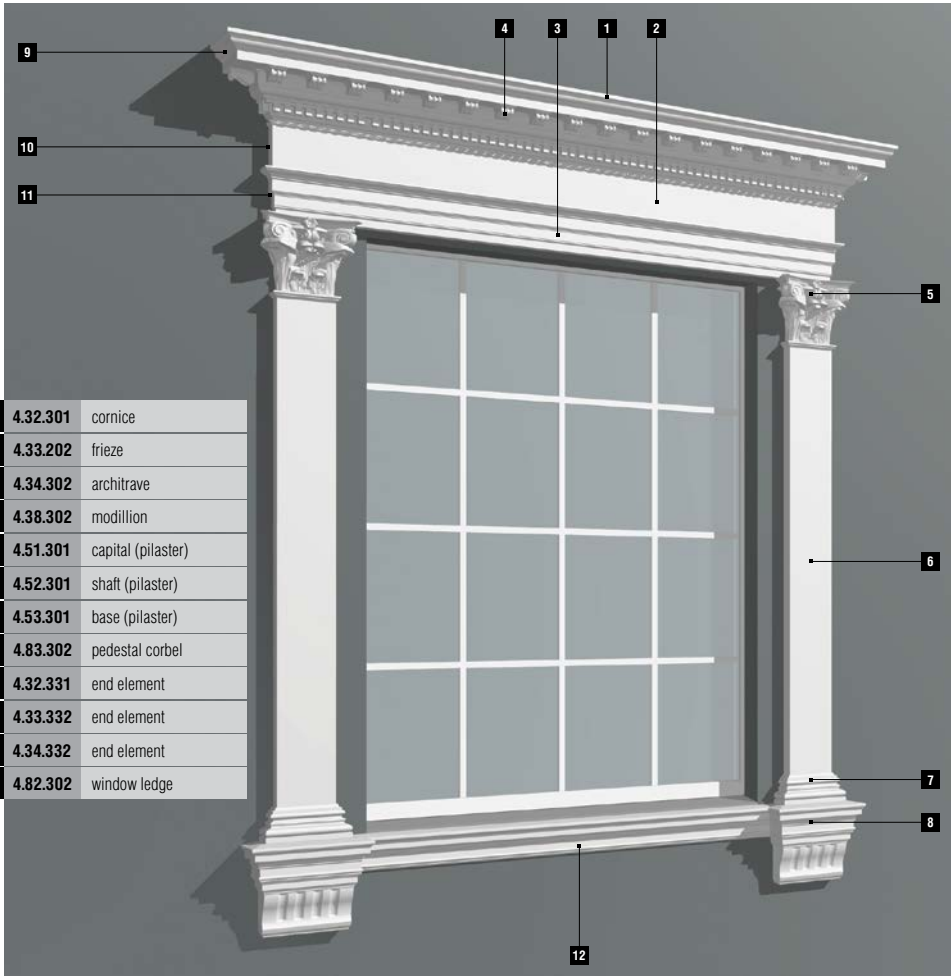


1	4.32.302	cornice
2	4.33.302	frieze
3	4.34.302	architrave
4	4.51.301	capital (pilaster)
5	4.52.302	shaft (pilaster)
6	4.53.301	base (pilaster)
7	4.83.302	pedestal corbel
8	4.32.332	end element
9	4.33.332	end element
10	4.34.332	end element
11	4.82.302	window ledge



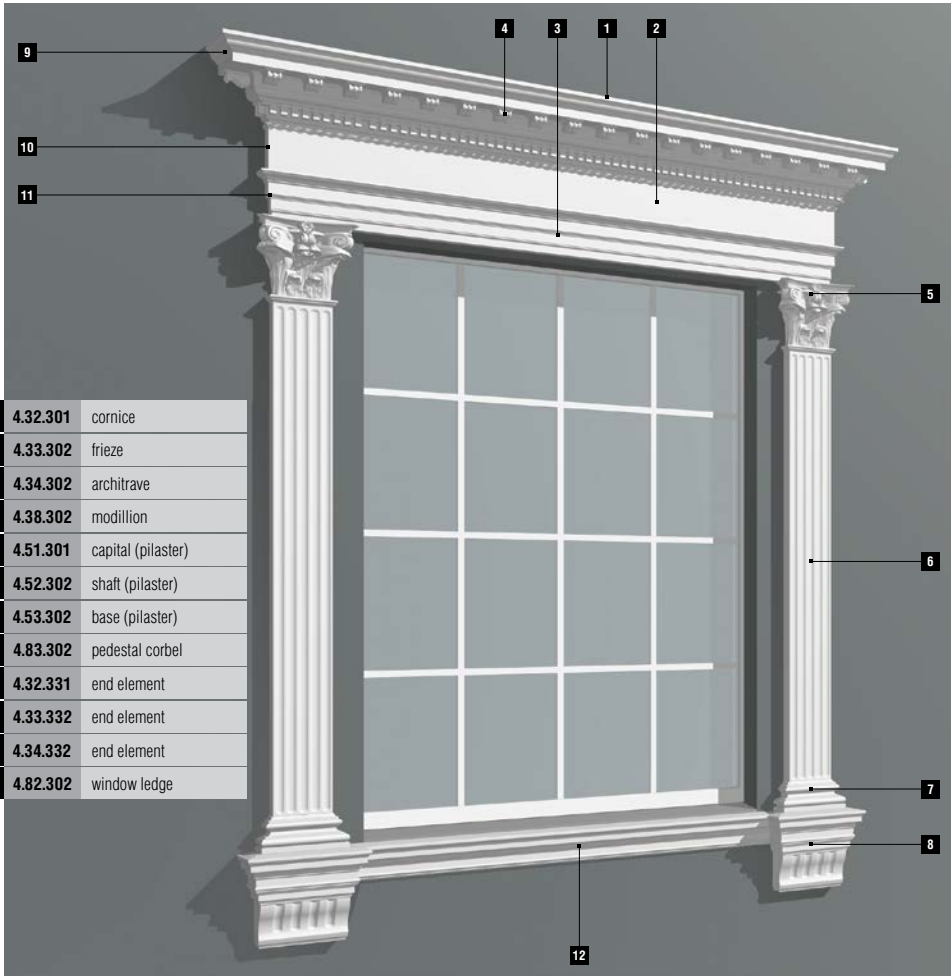
## windows with pilasters

examples

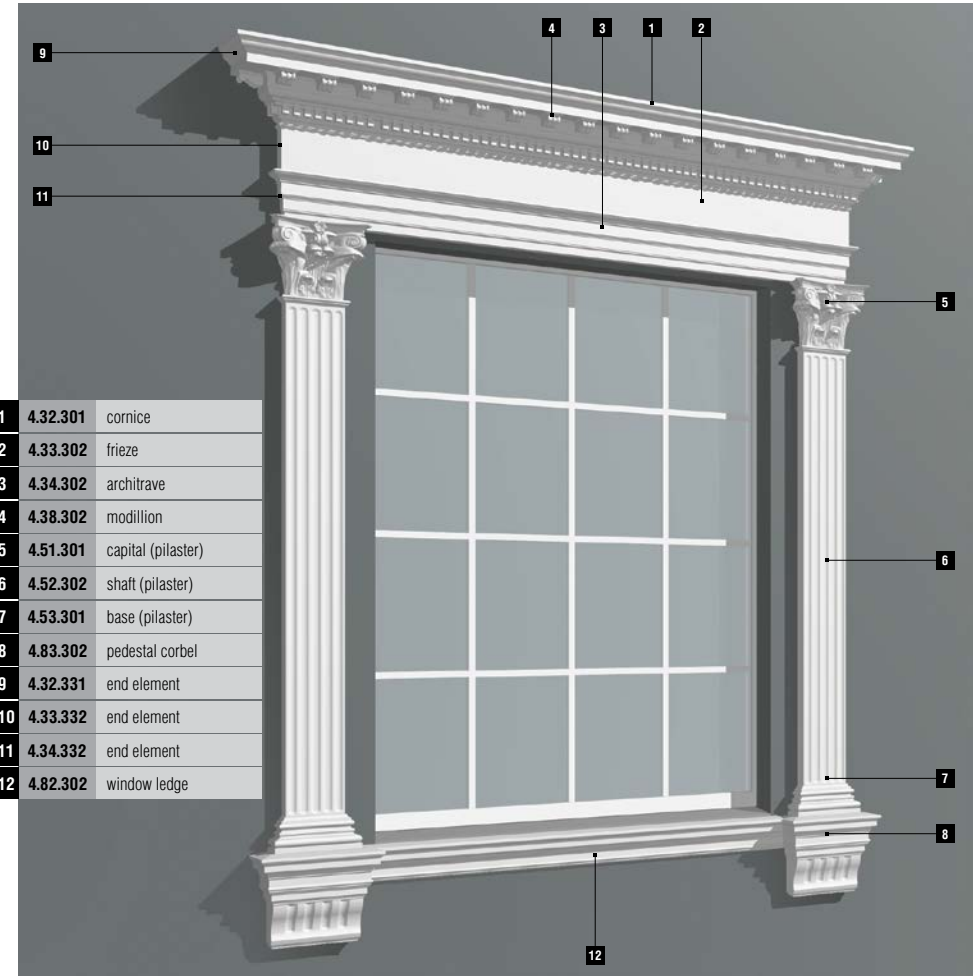


## windows with pilasters

examples

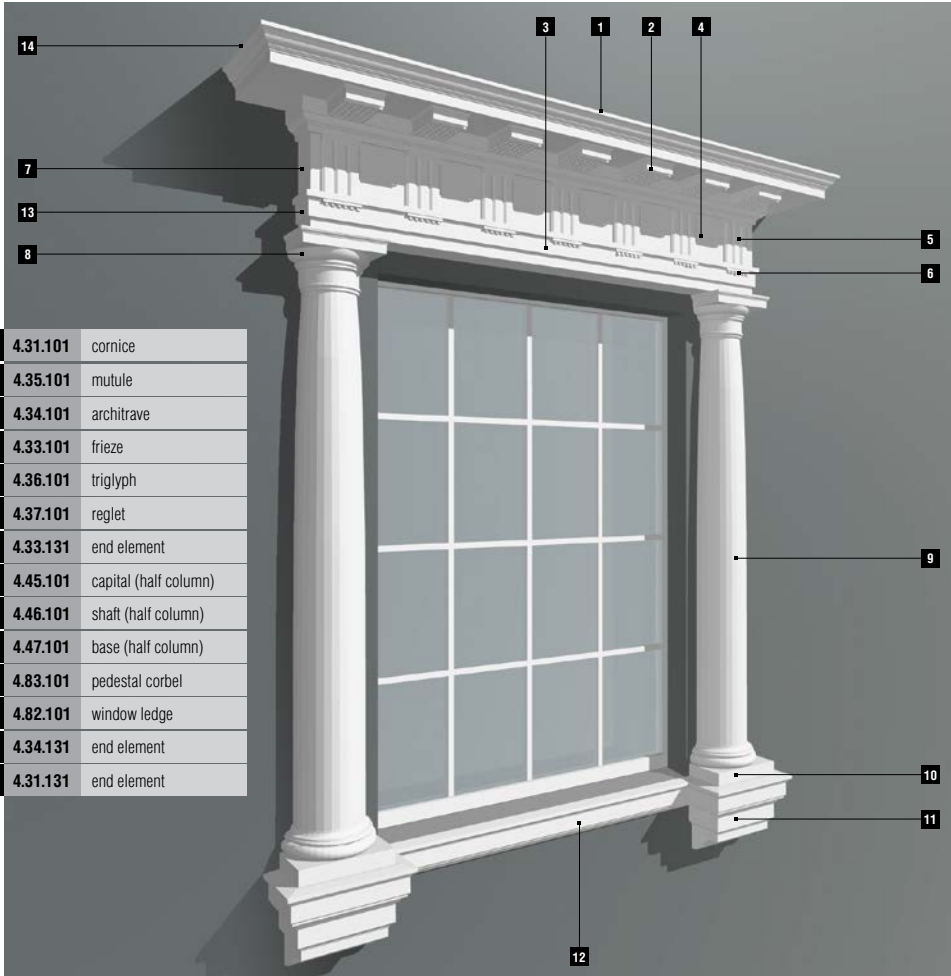


1	4.32.301	cornice
2	4.33.302	frieze
3	4.34.302	architrave
4	4.38.302	modillion
5	4.51.301	capital (pilaster)
6	4.52.302	shaft (pilaster)
7	4.53.302	base (pilaster)
8	4.83.302	pedestal corbel
9	4.32.331	end element
10	4.33.332	end element
11	4.34.332	end element
12	4.82.302	window ledge

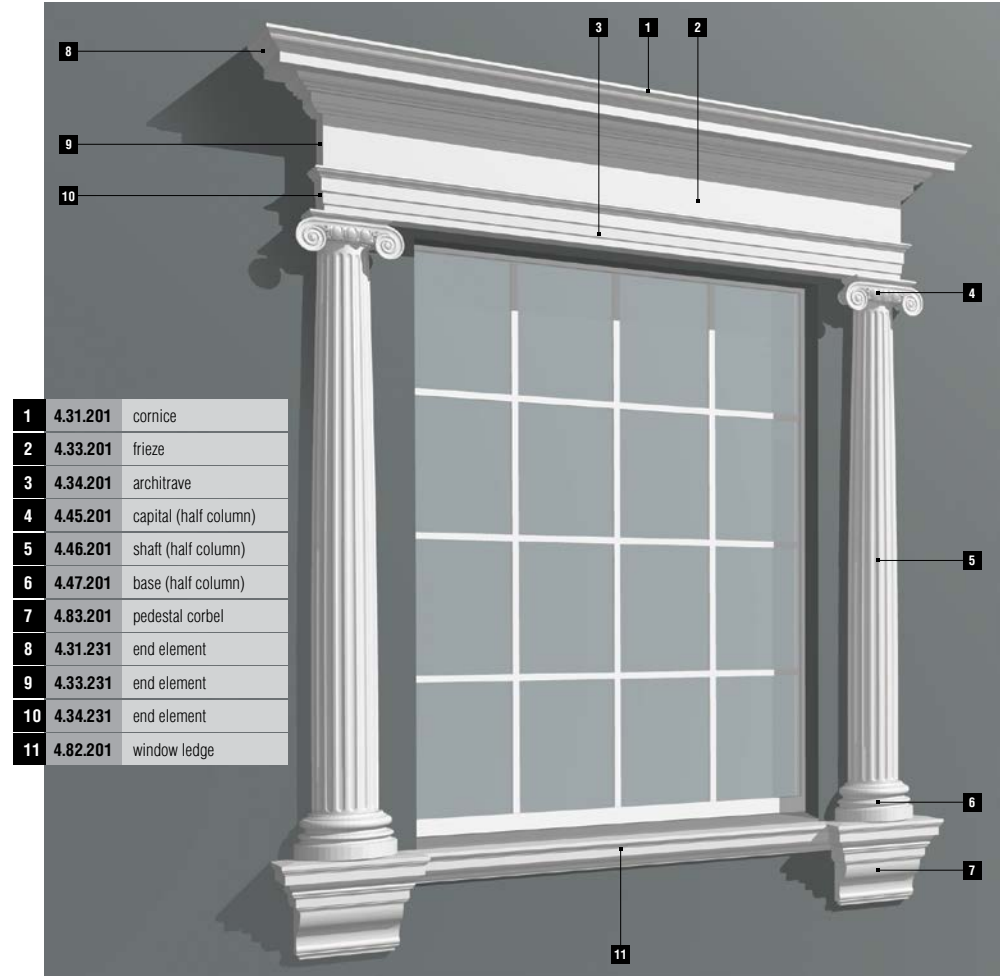


1	4.32.301	cornice
2	4.33.302	frieze
3	4.34.302	architrave
4	4.38.302	modillion
5	4.51.301	capital (pilaster)
6	4.52.302	shaft (pilaster)
7	4.53.301	base (pilaster)
8	4.83.302	pedestal corbel
9	4.32.331	end element
10	4.33.332	end element
11	4.34.332	end element
12	4.82.302	window ledge

## windows with half columns

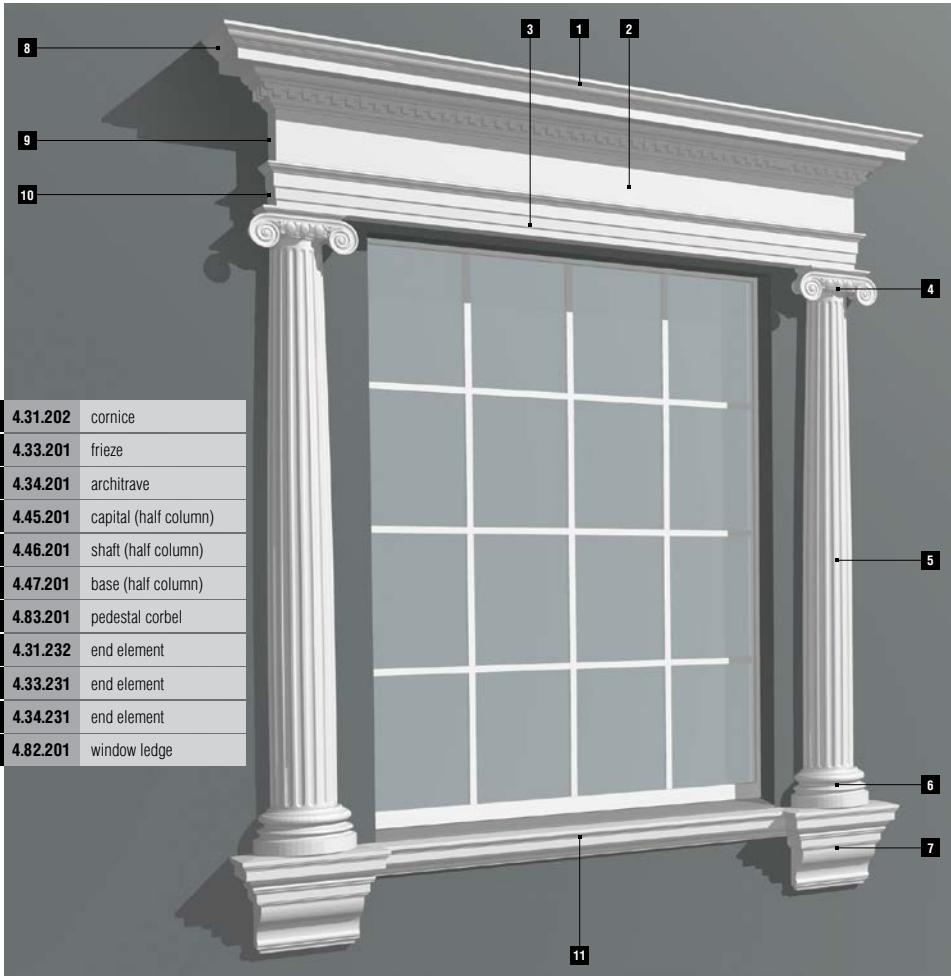


examples

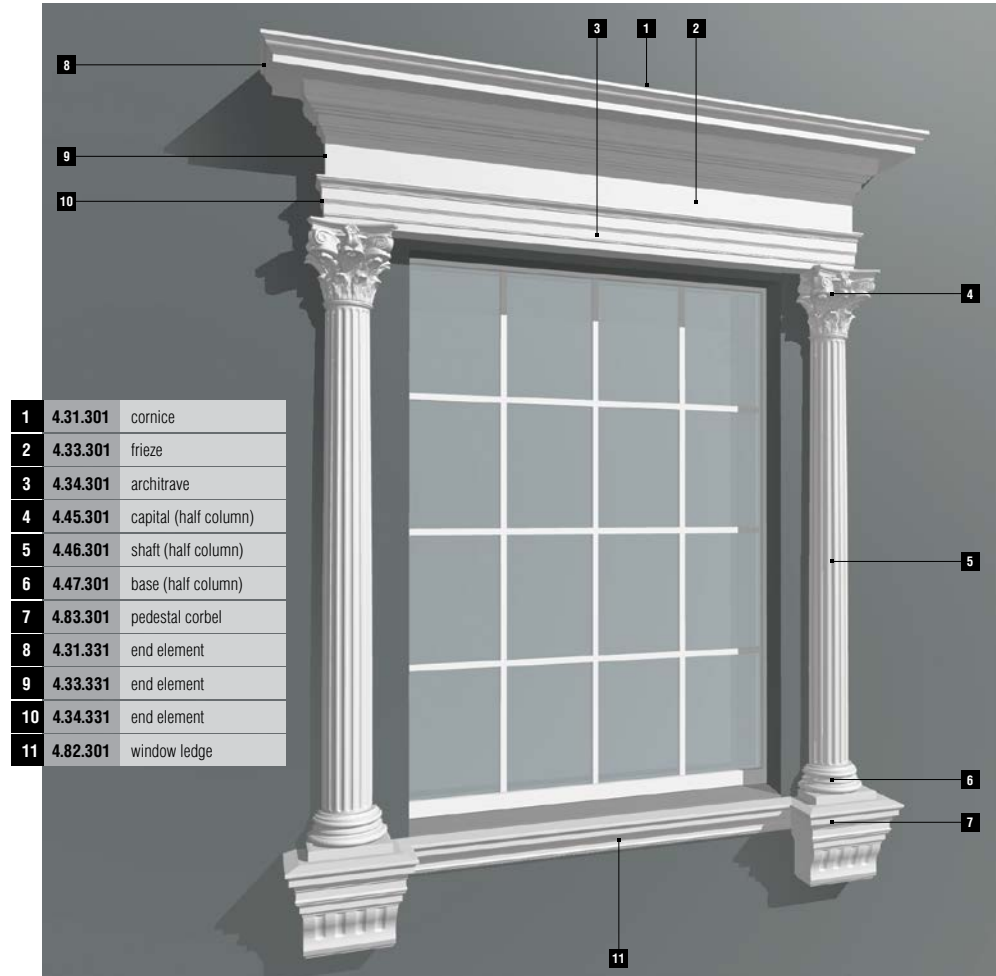


## windows with half columns

examples



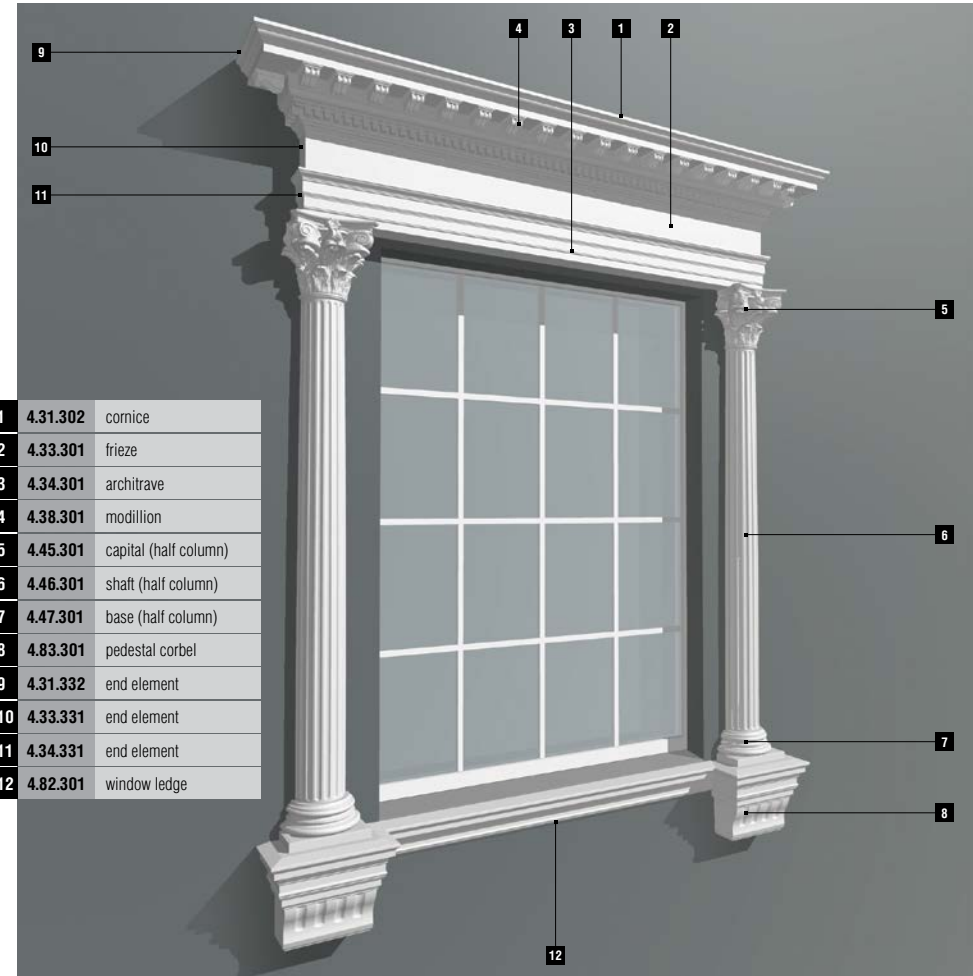
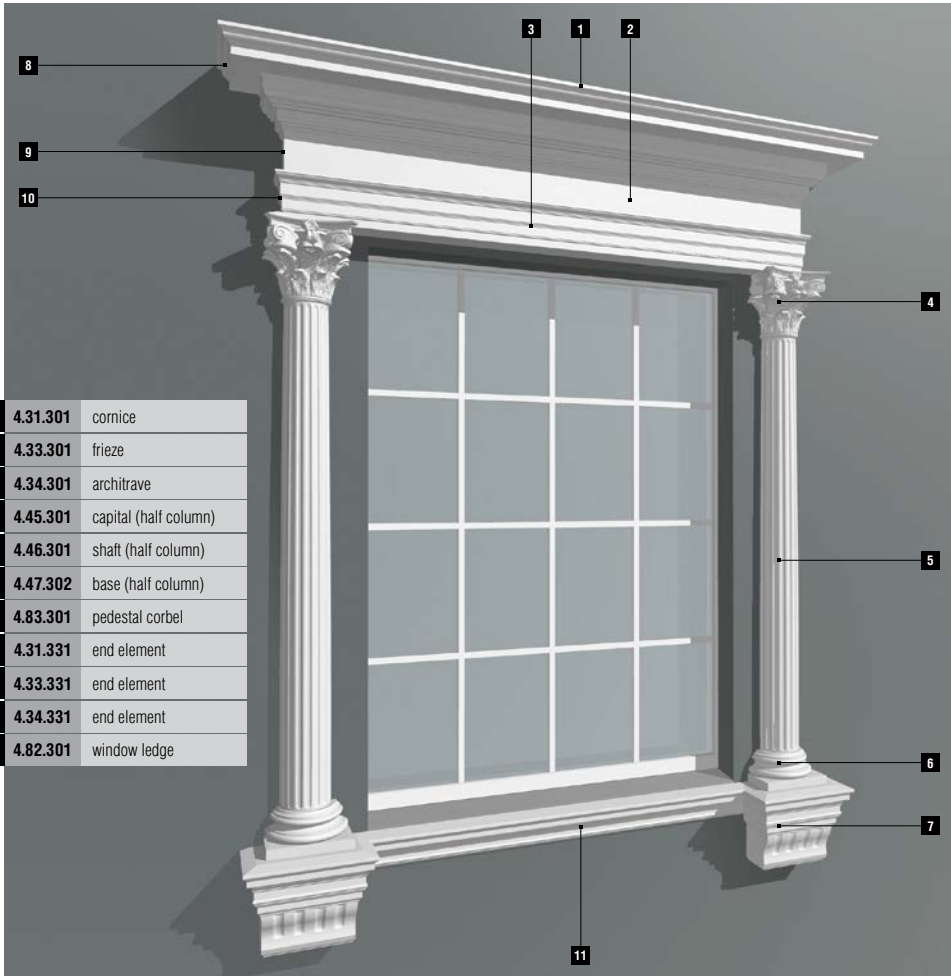
1	4.31.202	cornice
2	4.33.201	frieze
3	4.34.201	architrave
4	4.45.201	capital (half column)
5	4.46.201	shaft (half column)
6	4.47.201	base (half column)
7	4.83.201	pedestal corbel
8	4.31.232	end element
9	4.33.231	end element
10	4.34.231	end element
11	4.82.201	window ledge



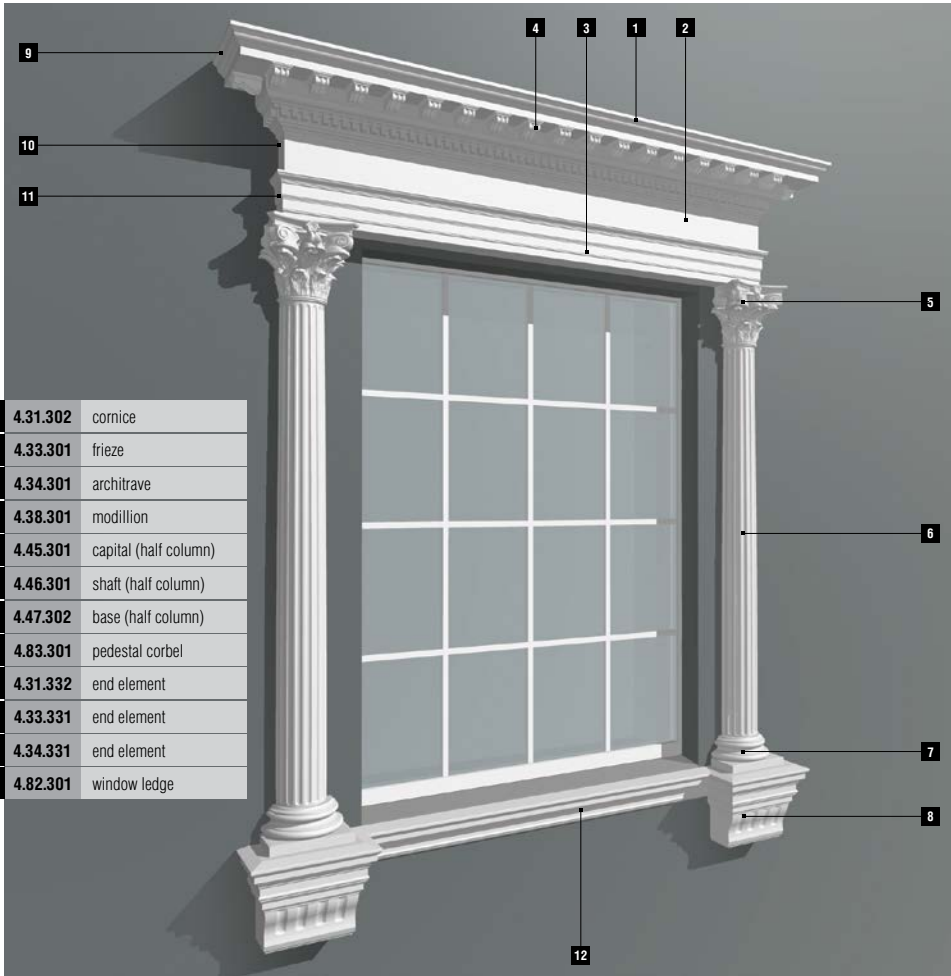
1	4.31.301	cornice
2	4.33.301	frieze
3	4.34.301	architrave
4	4.45.301	capital (half column)
5	4.46.301	shaft (half column)
6	4.47.301	base (half column)
7	4.83.301	pedestal corbel
8	4.31.331	end element
9	4.33.331	end element
10	4.34.331	end element
11	4.82.301	window ledge

## windows with half columns

examples



## windows with half columns



## windows with keystones

examples



## windows with keystones

1	4.84.002	platband
2	4.82.002	window ledge
3	4.85.002	keystone
4	4.83.002	corbel



examples

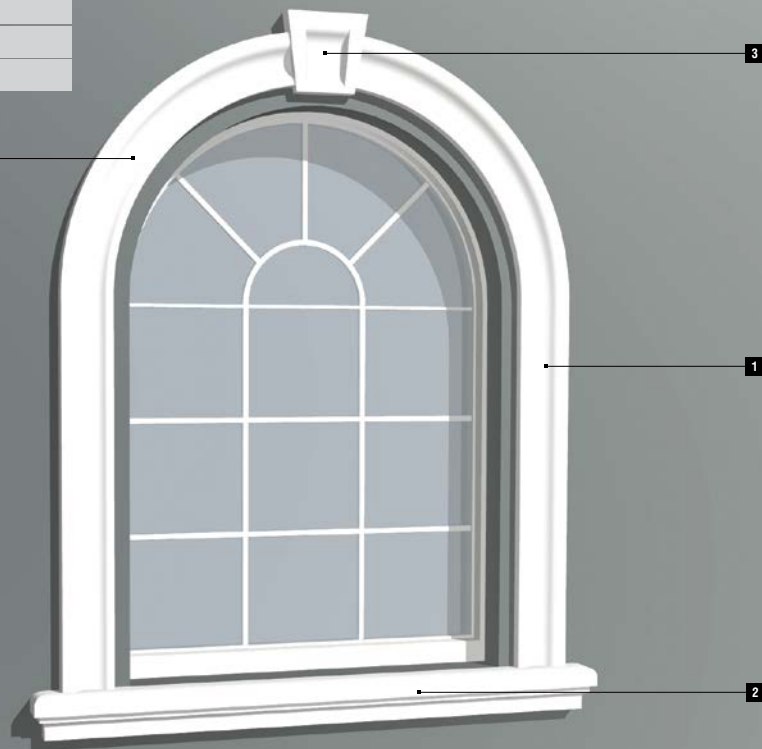
1	4.84.003	platband
2	4.82.003	window ledge
3	4.85.003	keystone
4	4.83.003	corbel





## windows with keystones

1	4.84.001	platband
2	4.82.001	window ledge
3	4.85.001	keystone
4	4.87.031	arch frame



examples

1	4.84.002	platband
2	4.82.002	window ledge
3	4.85.002	keystone
4	4.83.002	corbel
5	4.87.032	arch frame





## windows with keystones

1	4.84.003	platband
2	4.82.003	window ledge
3	4.85.003	keystone
4	4.83.003	corbel
5	4.87.033	arch frame



## windows

examples

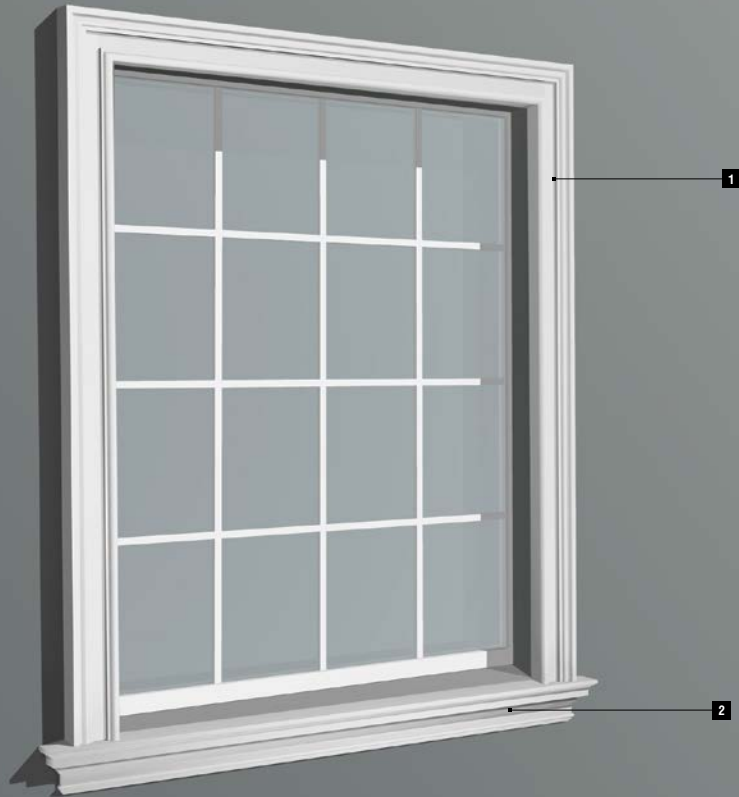


1	4.01.201	cornice
2	4.01.231	end element
3	4.03.301	frieze
4	4.03.331	end element
5	1.51.305	moulding
6	4.04.201	architrave
7	4.82.301	window ledge



## windows

1	4.84.004	platband
2	4.82.302	window ledge



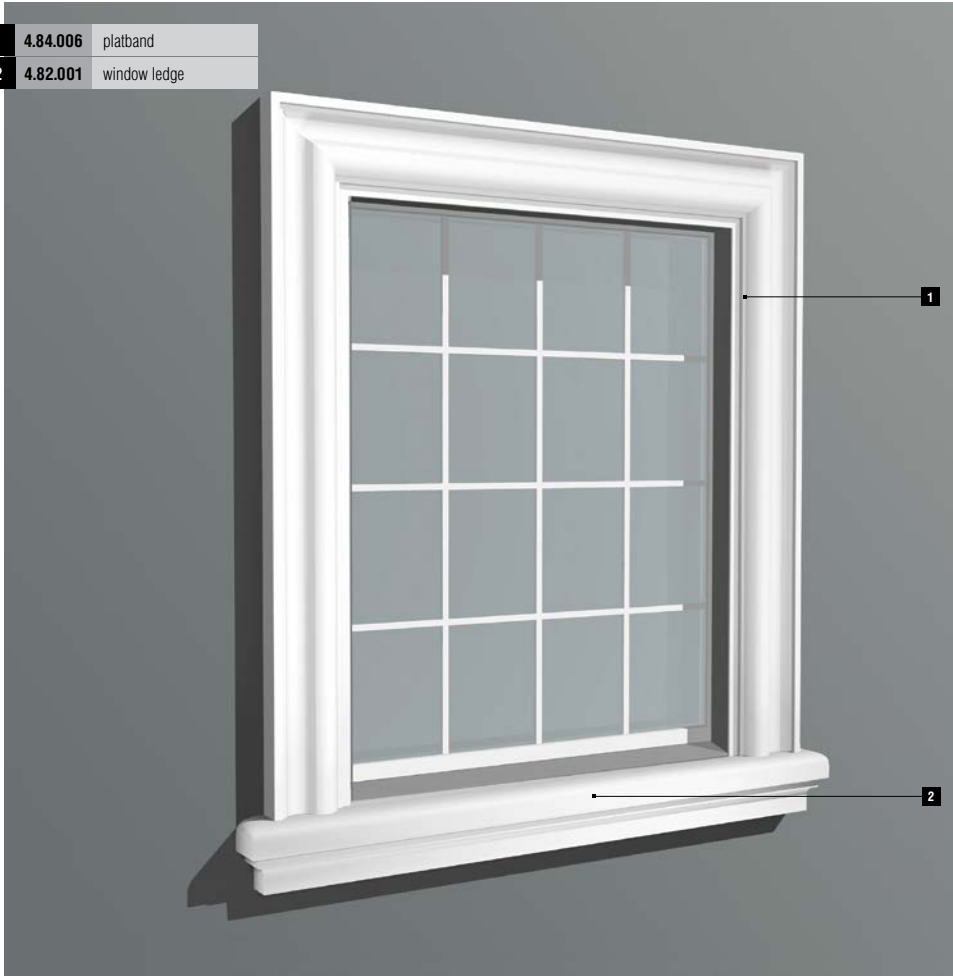
examples

1	4.84.005	platband
2	4.82.201	window ledge



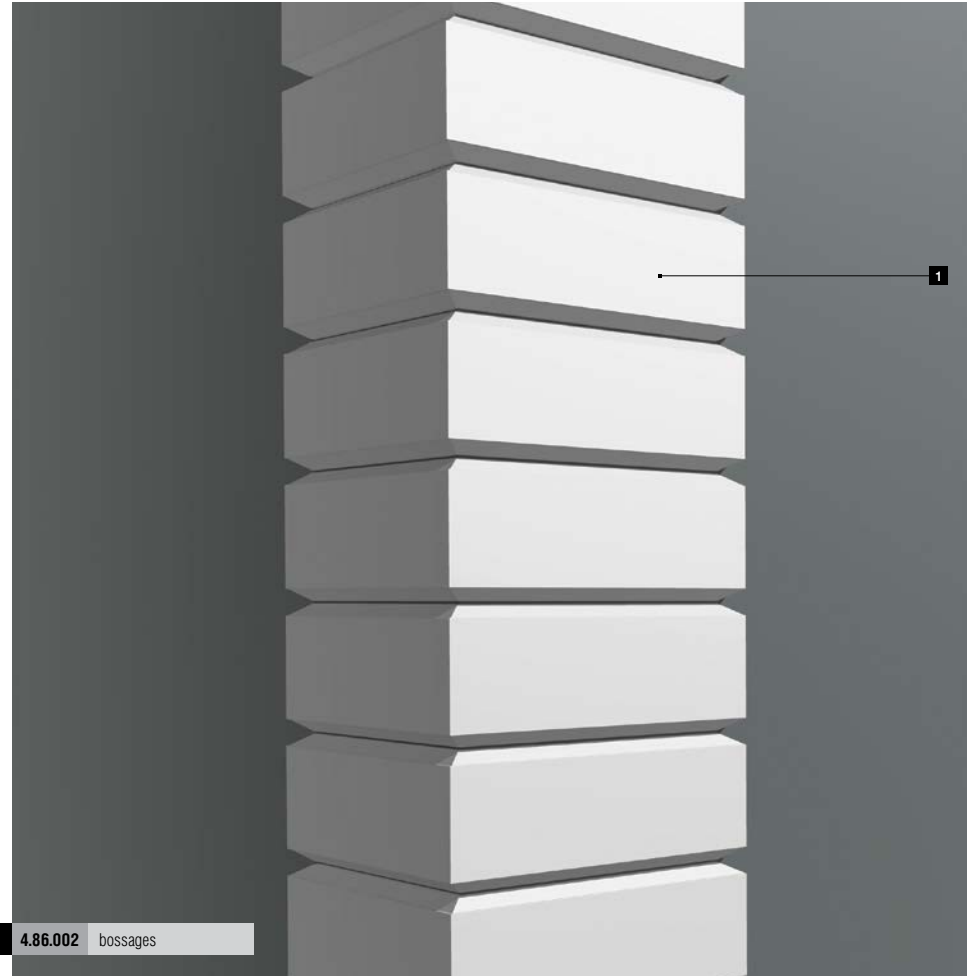
## windows

- |   |          |              |
|---|----------|--------------|
| 1 | 4.84.006 | platband     |
| 2 | 4.82.001 | window ledge |

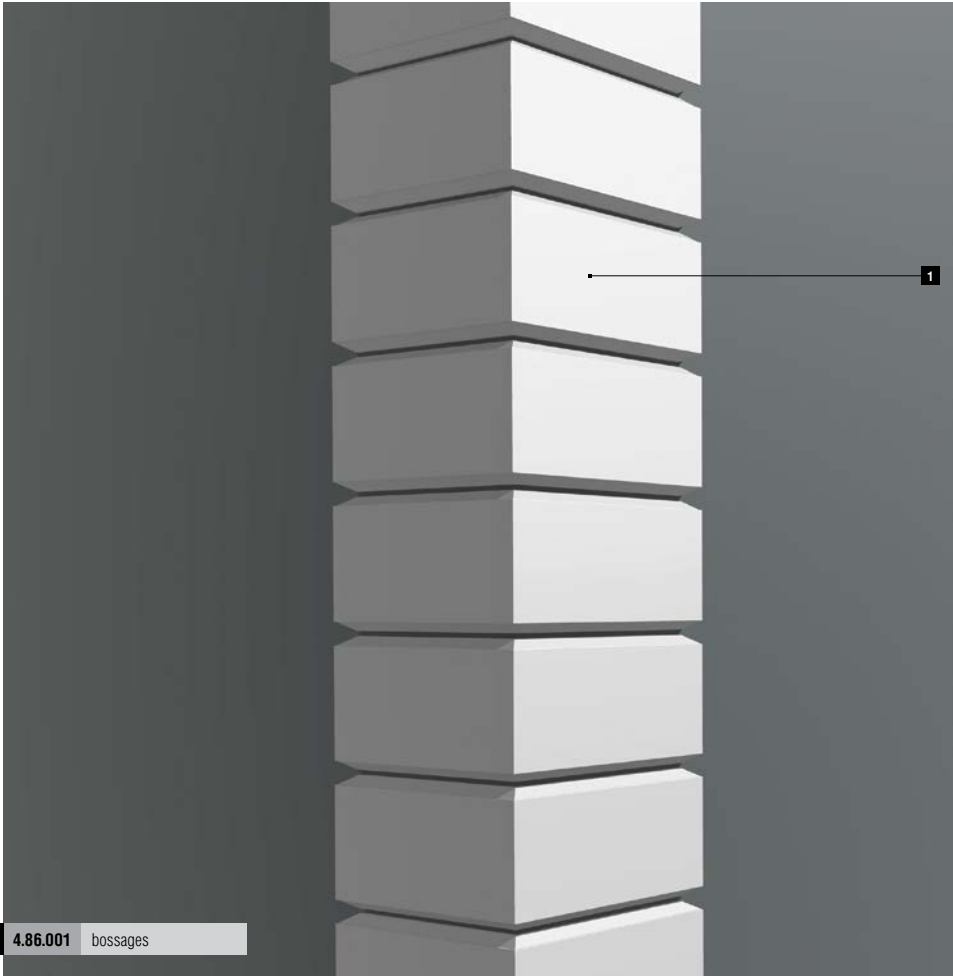


## bossages

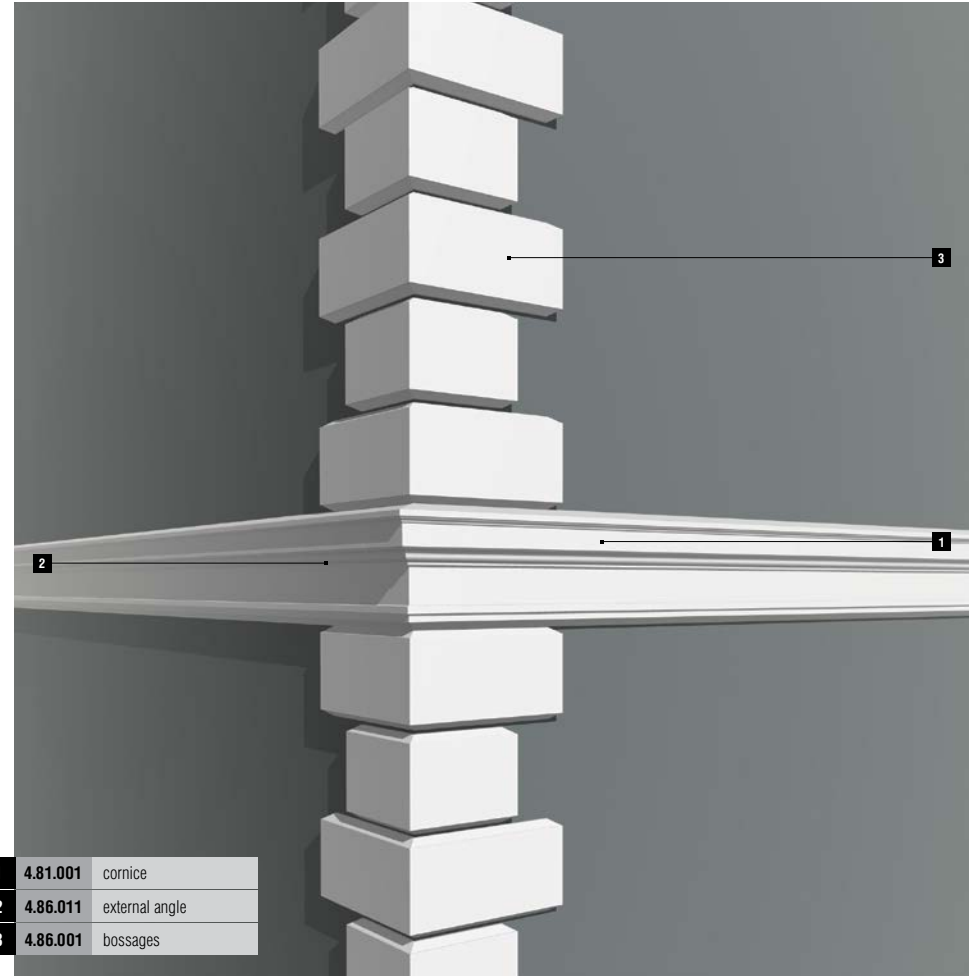
examples



- |   |          |          |
|---|----------|----------|
| 1 | 4.86.002 | bossages |
|---|----------|----------|

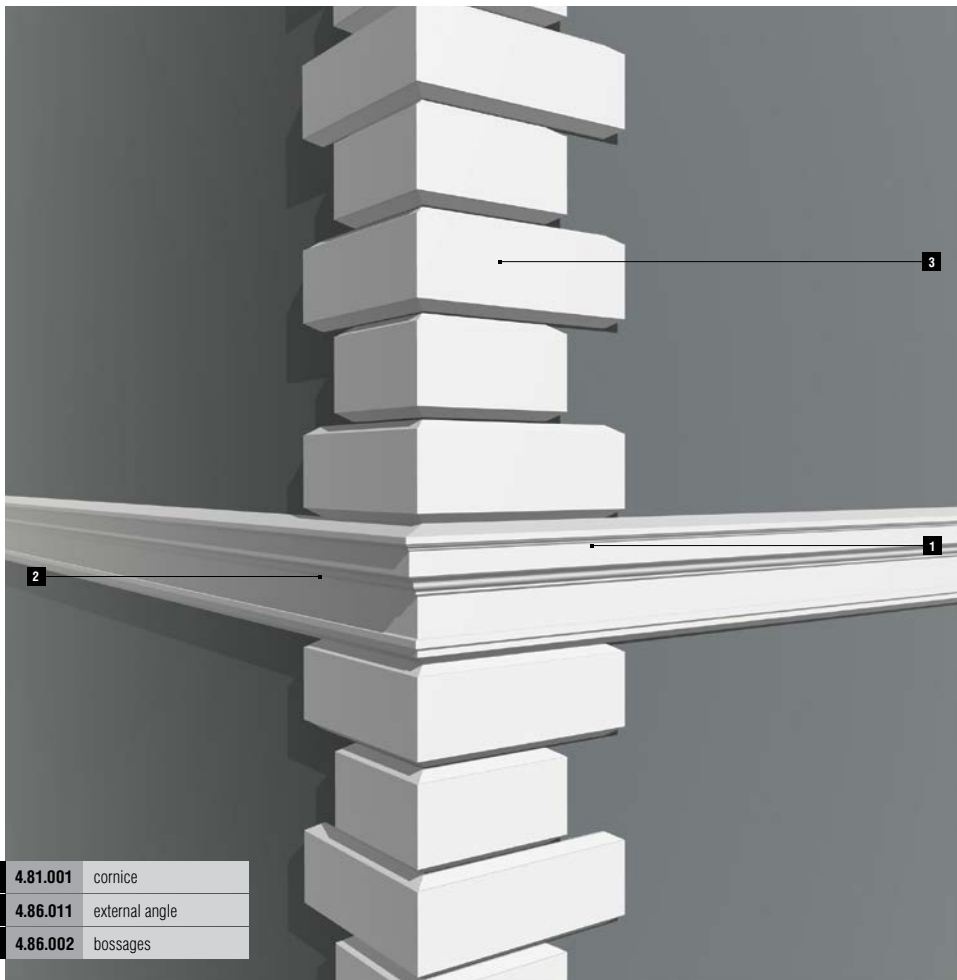


1 4.86.001 bossages



1	4.81.001	cornice
2	4.86.011	external angle
3	4.86.001	bossages

## bossages



1	4.81.001	cornice
2	4.86.011	external angle
3	4.86.002	bossages

## examples

examples















[gauiddecor.eu](http://gauiddecor.eu)

**MATERIO**

[www.materio.es](http://www.materio.es)

[info@materio.es](mailto:info@materio.es)

T. 981 10 30 00

GAUDIDECOR.EU